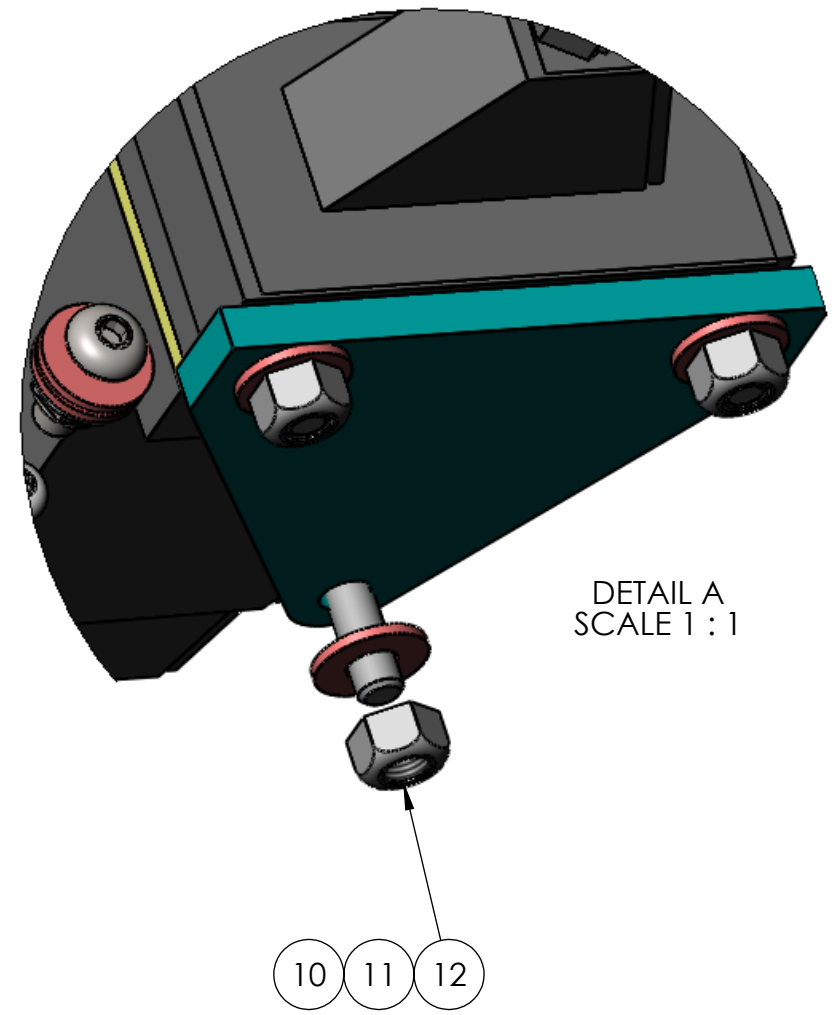
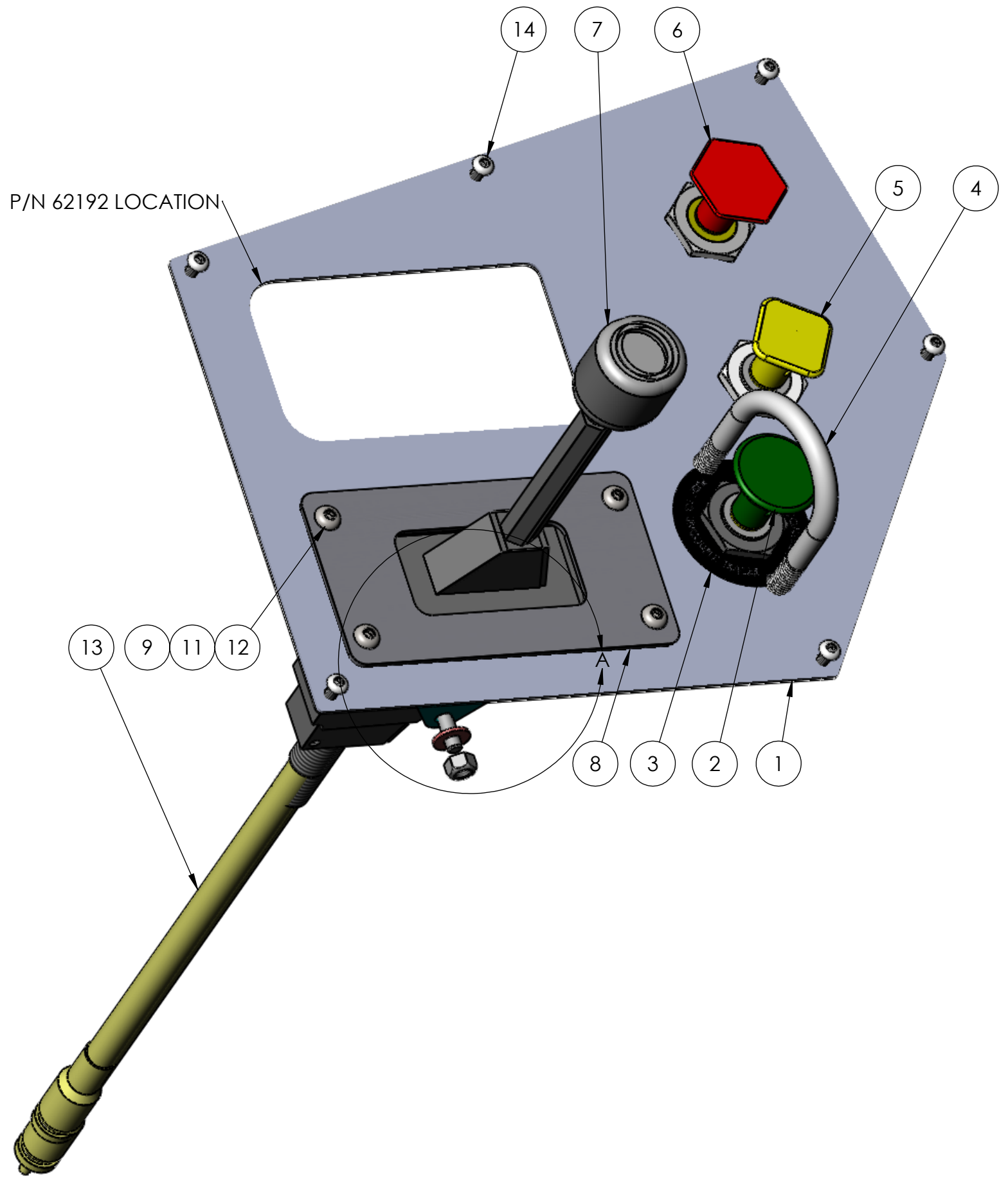



8 7 6 5 4 3 2 1

D
C
B
A

D
C
B
A



DETAIL A
SCALE 1 : 1

DIMENSIONS ARE IN INCHES		NAME	DATE	 TICO/TERMINAL SERVICE 66 CYPRESS RIDGE DR. RIDGELAND, SC 29936 (843) 717-2226		
TOLERANCES:		DRAWN	SMB 6/11/14			
DECIMAL:		REVISED	PW 02/25/2016			
X.X ± 0.06 X.XX ± 0.03 X.XXX ± 0.005		APPROVED				
ANGULAR: ± 0.5°		DO NOT SCALE DRAWING		TITLE:		
FRACTIONAL ± 1/32"				ASSEMBLY, SHIFTER-BRAKE-5TH WHEEL		
INTERPRET GEOMETRIC TOLERANCING PER: ASME 14.5M-1994	THE SUBJECT MATTER SHOWN AND DESCRIBED IN THIS DRAWING AND ANY OTHER INFORMATION ADVANCED IN CONNECTION THEREWITH, IS PROPRIETARY PROPERTY AND IS TO BE HELD IN STRICT CONFIDENCE BY YOU. ALL RIGHTS TO ANY INVENTIONS, DESIGNS, TRADE MARKS, TRADE NAMES AND COPYRIGHTS DISCLOSED ARE RESERVED TO TICO TERMINAL SERVICES, INC.			SIZE	DWG. NO.	REV
MATERIAL				B	920255-A1	
FINISH				SCALE: 1:2		SHEET 1 OF 1
THICKNESS						

8 7 6 5 4 3 2 1

TICO PRO-SPOTTER

S/N:	ASSEMBLY, DASH PANEL, SHIFTER-BRAKE-5TH WHEEL	920255
-------------	---	---------------

ITEM	PART #	QTY/M	DESCRIPTION
	920255-A1	REF	ASSEMBLY, DASH PANEL, SHIFTER-BRAKE-5TH WHEEL
	91000	1	ASSEMBLY, DASH PANEL, SHIFTER-BRAKE-5TH WHEEL
1	20116	1	PANEL, SHIFTER, 5TH WHEEL (HEATER)
2	90060	1	VALVE, UNLATCH, 5TH WHEEL
3	90647	1	DECAL, UNLATCH, 5TH WHEEL
NOT SHOWN	40858	1	FITTING, PLUG, BRASS, 1/8 NPT
NOT SHOWN	40860	6	FITTING, 90°, BRASS, TUBE SWIVEL, 1/4 TUBE X 1/8
NOT SHOWN	40886	1	FITTING, ADAPTER, STRAIGHT, BRASS, 1/4 TUBE X 1/8 NPT
4	20100	1	GUARD, UNLATCH, 5TH WHEEL
5	90094	1	VALVE, TRACTOR BRAKE, PP1
NOT SHOWN	42112	3	FITTING, ELBOW, 90°, BRASS, 3/8 TUBE X 1/8 NPT
NOT SHOWN	40886	1	FITTING, ADAPTER, STRAIGHT, BRASS, 1/4 TUBE X 1/4 NPT
6	90095	1	VALVE, TRAILER BRAKE, PP3
NOT SHOWN	40860	1	FITTING, ELBOW-90° BRASS 1/4" TUBE X 1/8 NPT SWIVEL
NOT SHOWN	42063	1	FITTING, ELBOW, 90°, BRASS, 3/8 TUBE X 1/4 NPT
NOT SHOWN	42112	1	FITTING, ELBOW, 90°, BRASS, 3/8 TUBE X 1/8 NPT
	90812	1	ASSEMBLY, 5TH WHEEL CONTROL
7	30169	1	CONTROL, RAISE/LOWER, 5TH WHEEL
8	90812R	1	ASSEMBLY, PANEL
9	80219	4	SCREW, SOCKET HEAD, 1/4-20 X 3/4 LONG
10	82436	3	CAPSCREW, HEX HEAD, 1/4-20 X 2 1/2 LONG
11	85089	7	WASHER, 1/4
12	85023	7	NUT, HEX, 1/4-20
13	30170	1	CABLE, VALE CONTROL
14	80218	6	SCREW, SOCKET HEAD, 10-32 X 3/4 LONG

REV	DATE	BY		SHEET
A	03/24/2016	PW		1 OF 1

TICO MANUFACTURING - RIDGELAND, SC 29936