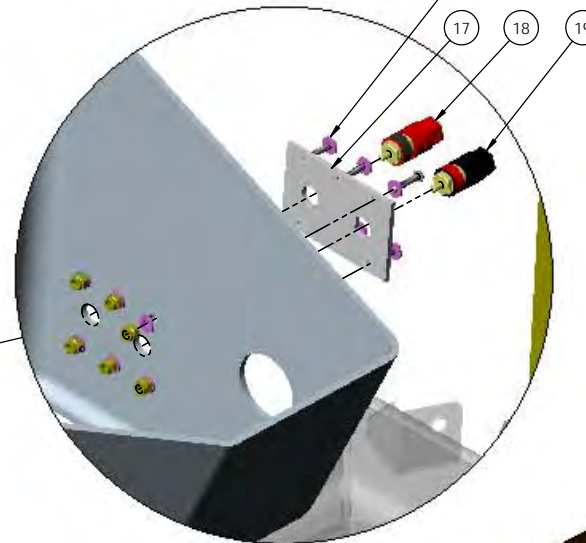
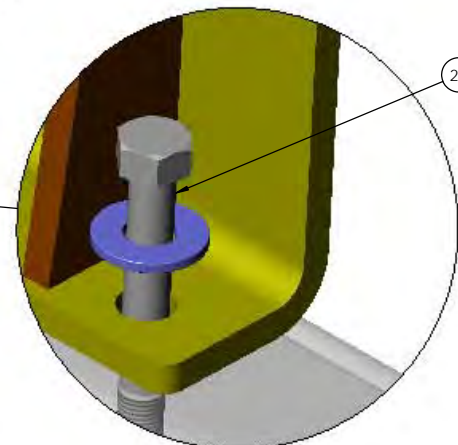


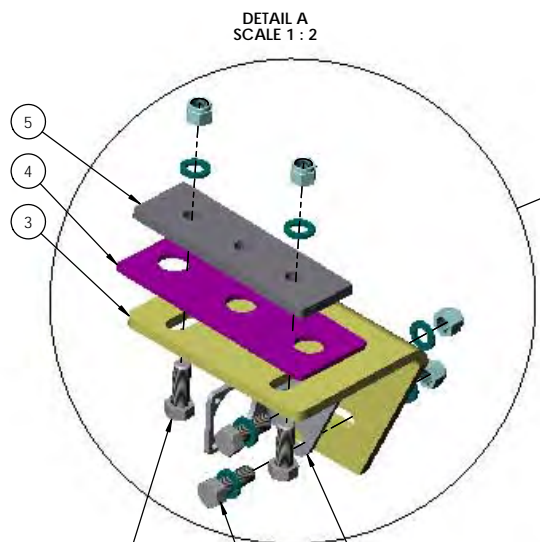
DETAIL B
SCALE 1 : 1



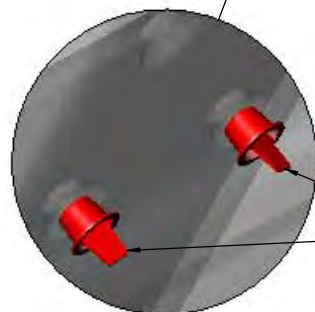
DETAIL C
SCALE 1 : 2



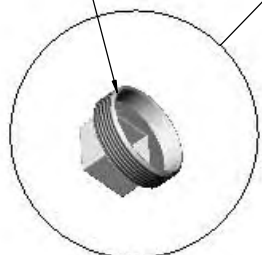
DETAIL E
SCALE 1 : 1



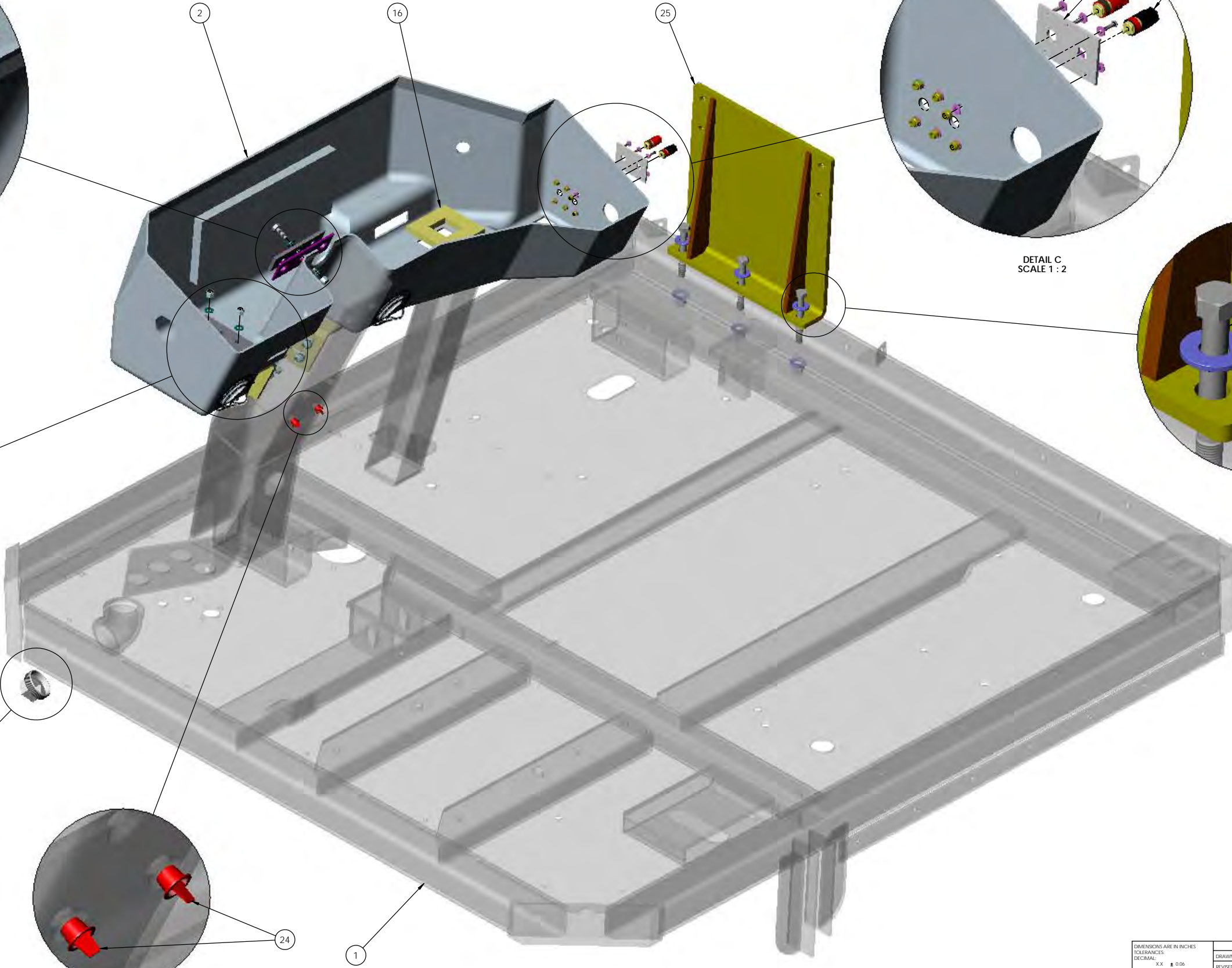
DETAIL A
SCALE 1 : 2



DETAIL D
SCALE 1 : 1



DETAIL T
SCALE 1 : 2



DIMENSIONS ARE IN INCHES TOLERANCES: DECIMAL: XX ± 0.06 XXX ± 0.03 XXXX ± 0.005 ANGULAR: FRACTIONAL: ± 1/32"		NAME: RWIC DATE: 07/02/2011 REVISED: MPC DATE: 06/28/2016 APPROVED:	TICO/TERMINAL SERVICE 44 CYPRESS RIDGE DR. RIDGELAND, SC 29936 (843) 717-2226	
INTERPRET GEOMETRIC TOLERANCING PER ASME Y14.5M-1994 MATERIAL: FINISH: THICKNESS:		DO NOT SCALE DRAWING THE SUBJECT MATTER SHOWN AND DESCRIBED IN THIS DRAWING AND ANY OTHER INFORMATION ADVANCED IN CONNECTION THEREWITH IS PROPRIETARY PROPERTY AND IS TO BE HELD IN STRICT CONFIDENCE BY YOU. ALL RIGHTS TO ANY INVENTIONS, DESIGNS, TRADE MARKS, TRADE NAMES AND COPYRIGHTS DISCLOSED ARE RESERVED TO TICO TERMINAL SERVICES, INC.		
TITLE: ASSEMBLY, FLOOR GALVANIZED		SIZE: D	DWG. NO.: 72777-C1	REV:
				SHEET 1 OF 1

TICO PRO-SPOTTER

S/N:	ASSEMBLY, FLOOR, GALVINIZED	72777
-------------	------------------------------------	--------------

ITEM	PART #	QTY/M	DESCRIPTION	TASK
	72777-C1	REF	ASSEMBLY, FLOOR, GALVINIZED	
	90880	REF	ASSEMBLY, DASH BUCKET	
1	91969	1	ASSEMBLY, FLOOR, GALVINIZED	
2	20204	1	DASH BUCKET, RDS TRANS	
3	90811	2	BRACKET, DASH BUCKET	
4	12351	AS REQD	SHIM, CAB PIVOT	
5	90890	3	WASHER, STRIP	
6	82383	5	BOLT, HEX HEAD, 3/8-16 X 1-1/4 LONG	
7	85091	10	WASHER, FLAT, 3/8	
8	85025	5	LOCKNUT, NYLON, 3/8-16	
9	91712	1	BRACKET, DIAGNOSTIC PLUG	
10	82372	4	BOLT, HEX HEAD, 3/8-16 X 1 LONG	
11	85091	8	WASHER, FLAT, 3/8	
12	85025	4	LOCKNUT, NYLON, 3/8-16	
13	82371	1	BOLT, HEX HEAD, 5/16-18 X 1 LONG	
14	85090	2	WASHER, FLAT, 5/16	
15	85024	1	LOCKNUT, NYLON, 5/16-18	
16	91189	1	SEAL, DASH BUCKET	
17	90587	1	ELECTRICAL SUPPLY BOARD	
18	90585	1	BINDING POST, INSULATED (BLACK)	
19	90586	1	BINDING POST, INSULATED (RED)	
20	80180	6	SCREW, PAN HEAD, 6-32 X 3/4 LONG	
21	80230	12	WASHER, FLAT, 6-32	
22	80207	6	LOCKNUT, NYLON, 6-32	
23	30178	1	PLUG, PVC, 1-1/4 NPT	
24	42081	2	CAPLUG, DASH PEDESTAL	
25	60947-6	1	MOUNTING BRACKET, SURGE TANK	
26	82506	3	BOLT, HEX HEAD, 1/2-13 X 4 LONG	
27	85093	6	WASHER, FLAT, 1/2	
28	85027	3	LOCKNUT, NYLON, 1/2-13	
NOT SHOWN	920093	1	DECAL, BATTERY POWER	
NOT SHOWN	920095	1	DECAL, GROUND	

REV	DATE	BY		SHEET
C	08/03/2016	MPC		1 OF 1