

8 7 6 5 4 3 2 1

D

D

C

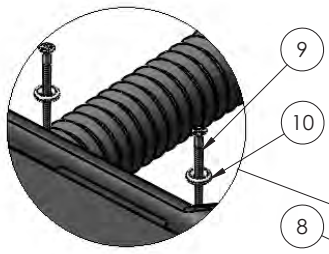
C

B

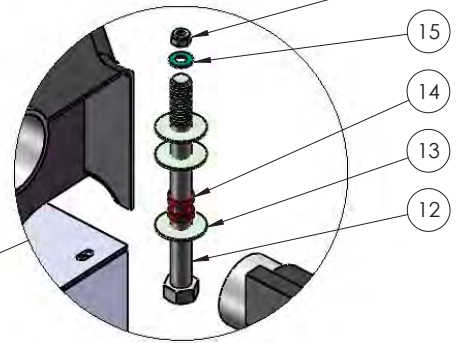
B

A

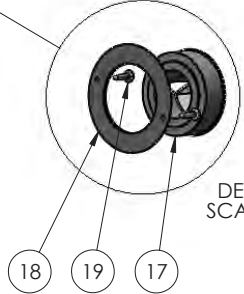
A



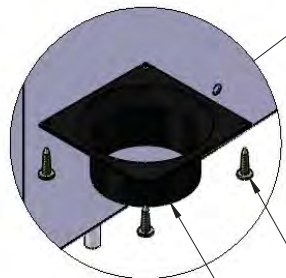
DETAIL A
SCALE 1 : 3



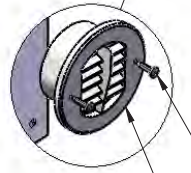
DETAIL B
SCALE 1 : 3



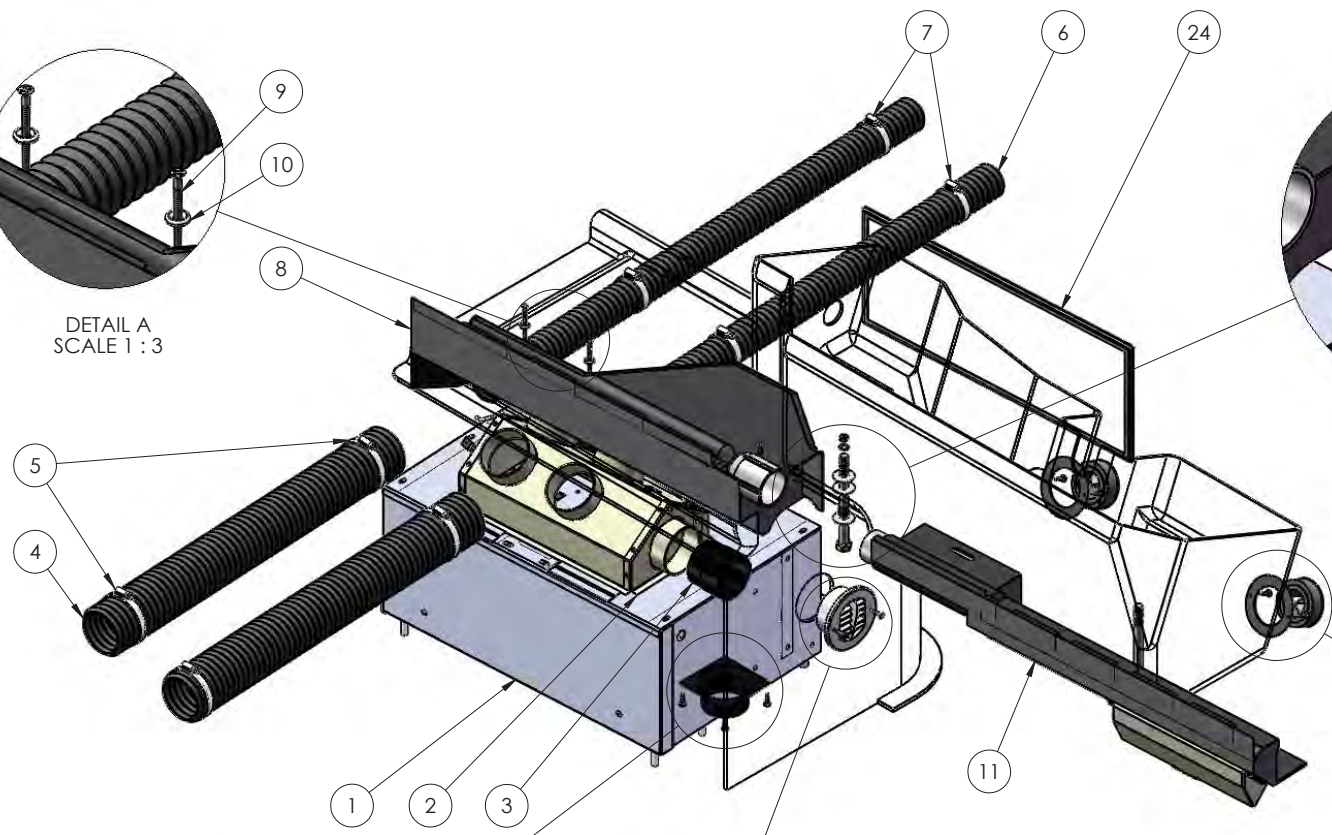
DETAIL C
SCALE 1 : 4




DETAIL E
SCALE 1 : 3



DETAIL D
SCALE 1 : 4



| | | | | | |
|--|--|---|----------|--|----------|
| DIMENSIONS ARE IN INCHES | | NAME | DATE |  TICO/TERMINAL SERVICE 66 CYPRESS RIDGE DR. RIDGELAND, SC 29936 (843) 717-2226 | |
| TOLERANCES: | | DRAWN | SMB | | 8/31/15 |
| DECIMAL: | | REVISED | DFM | | 4/4/2016 |
| X.X ± 0.1250 X.XX ± 0.0625 X.XXX ± 0.0313 | | APPROVED | | | |
| ANGULAR: | | DO NOT SCALE DRAWING | | | |
| FRACTIONAL: | | THE SUBJECT MATTER SHOWN AND DESCRIBED IN THIS DRAWING AND ANY OTHER INFORMATION ADVANCED IN CONNECTION THEREWITH, IS PROPRIETARY PROPERTY AND IS TO BE HELD IN STRICT CONFIDENCE BY YOU. ALL RIGHTS TO ANY INVENTIONS, DESIGNS, TRADE MARKS, TRADE NAMES AND COPYRIGHTS DISCLOSED ARE RESERVED TO TICO TERMINAL SERVICES, INC. | | | |
| INTERPRET GEOMETRIC TOLERANCING PER: ASME 14.5M-1994 | | TITLE: | | ASSEMBLY, CAB HEATER | |
| MATERIAL | | SIZE | DWG. NO. | REV | |
| FINISH | | B | 72772-D1 | | |
| THICKNESS | | SCALE: 1:8 | | SHEET 1 OF 1 | |

8 7 6 5 4 3 2 1

| TICO PRO-SPOTTER | | | | |
|------------------|----------|--------------------------------------|---|--------|
| S/N: | | HEATER ASSEMBLY, QSB/ISB, THERMATECH | | 72772 |
| ITEM | PART # | QTY/M | DESCRIPTION | |
| | 62213 | REF | REWORK, ENGINE, HEATER/DEF CONNECTOR (ISB & QSB-IV) | |
| | 72550 | REF | INSTALLATION, HEATER | |
| 1 | 91950 | 1 | MODULE, HEATER ACC | |
| 2 | 91952 | 1 | ASSEMBLY, PLENUM, CABLE CONTROL | |
| 3 | 91722-16 | 1 | ADAPTER, HOSE, 3" TO 2-1/2" | |
| NOT SHOWN | 91722-6 | 2 FT | HOSE, ULTRA SMOOTH, 2-1/2" INSIDE DIAMETER | |
| NOT SHOWN | 20337 | 2 | CLAMP, WORMGEAR, HOSE LINER, 2 1/2" | |
| 4 | 91722-26 | 2.88 FT | HOSE, FLEX, 3" | |
| | 91722-26 | 1.75 FT | HOSE, FLEX, 3" | |
| | 91722-26 | 1.00 FT | HOSE, FLEX, 3" | |
| 5 | 24120 | 6 | CLAMP, HOSE, 3" | |
| NOT SHOWN | 42299 | 3 | CLAMP, WORMGEAR, HOSE LINER, 3" | |
| 6 | 91722-4 | 6 FT | HOSE, 2" FLEX | |
| | 91722-4 | 5 FT | HOSE, 2" FLEX | |
| 7 | 42157 | 4 | CLAMP, WORMGEAR, HOSE LINER, 2" | |
| NOT SHOWN | 42149 | 2 | CLAMP, WORMGEAR, LINER, 5/8" HOSE | |
| 8 | 91783 | 1 | MANIFOLD, DEFROSTER, LEFT HAND | |
| 9 | 80272 | 2 | SCREW, WOOD, # 10 X 3 LONG | |
| 10 | 80302 | 2 | WASHER, FINISHING, 1/4 | |
| 11 | 91828 | 1 | MANIFOLD, DEFROSTER, RIGHT HAND, ACC | |
| 12 | 82392 | 2 | BOLT, HEX, 1/4-20 X 1 1/2 LONG | |
| 13 | 80129 | 6 | WASHER, FENDER, 1/4-20 X 1 1/4 | |
| 14 | 80303 | 3 | GROMMET, RUBBER, 1/2 x 5/8 X 5/16 HOLE | |
| 15 | 85089 | 2 | WASHER, FLAT, 1/4 | |
| 16 | 85023 | 2 | NUT, LOCK, NYLON, 1/4"-20 | |
| 17 | 91722-13 | 2 | LOUVER, BALL, NO ADAPTER, 2-1/2" | |
| NOT SHOWN | 91722-14 | 2 | ADAPTER, HOSE, BALL LOUVER, 2" | |
| 18 | 91722-15 | 2 | RING, TRIM, LOUVER | |
| 19 | 80262 | 2 | SCREW, WOOD, 5-20 X 3/4 LONG | |
| 20 | 91722-18 | 1 | LOUVER, DOWNDRAFT, FIXED, 3" | |
| 21 | 80262 | 2 | SCREW, WOOD, 5-20 X 3/4 LONG | |
| 22 | 91722-17 | 1 | ADAPTER, HOSE, FLANGED, 3" | |
| 23 | 80262 | 4 | SCREW, WOOD, 5-20 x 3/4 LONG | |
| 24 | 920011 | 1 | FILTER, HEATER/AC, PERMATRON, 20 1/2 X 8 | |
| D | 4/4/2016 | DFM | | 1 OF 2 |

