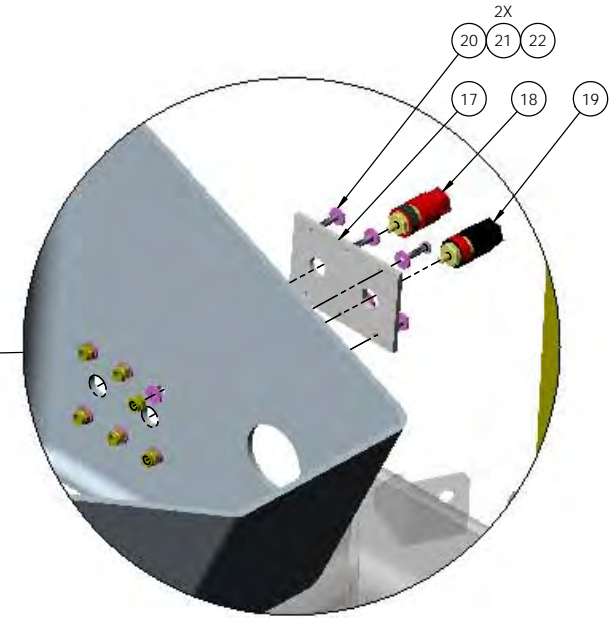
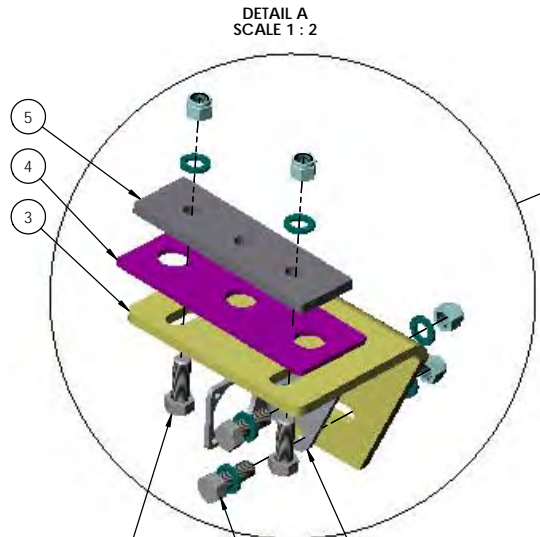




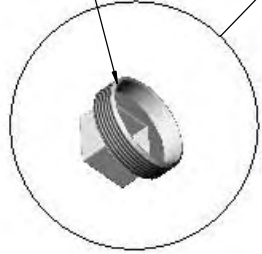
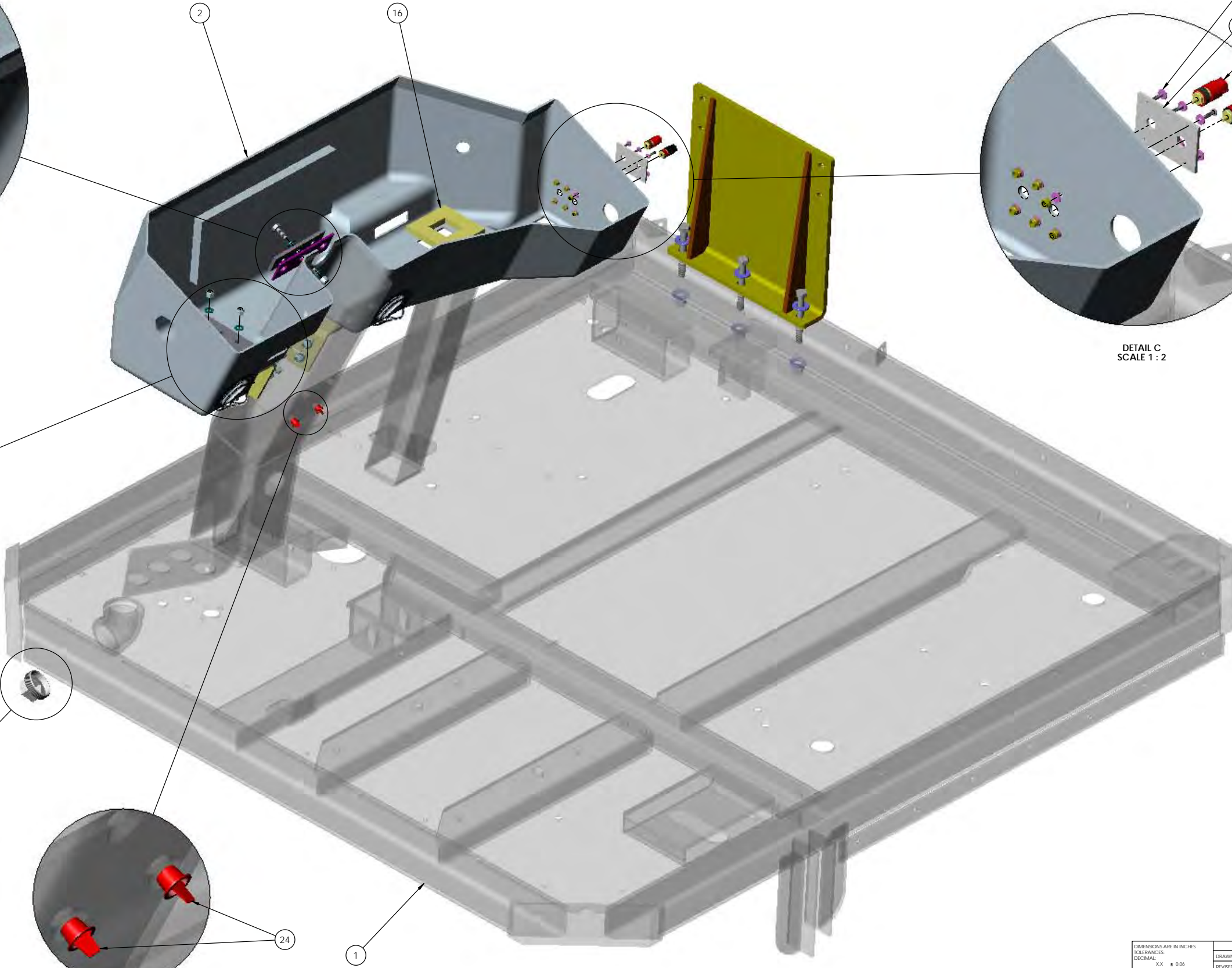
DETAIL B
SCALE 1 : 1



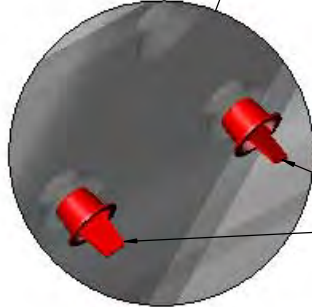
DETAIL C
SCALE 1 : 2



DETAIL A
SCALE 1 : 2



DETAIL T
SCALE 1 : 2



DETAIL D
SCALE 1 : 1

DIMENSIONS ARE IN INCHES TOLERANCES: DECIMAL XX ± 0.06 XXX ± 0.03 XXXX ± 0.005 ANGULAR FRACTIONAL ± 1/32"		NAME DATE	TICO/TERMINAL SERVICE 44 CYPRESS RIDGE DR. RIDGELAND, SC 29936 (843) 717-2226	
INTERPRET GEOMETRIC TOLERANCING PER: ASME Y14.5M-1994		DRAWN RWC 07/08/2011	APPROVED MPC 08/11/2016	TITLE: ASSEMBLY, FLOOR
MATERIAL		DO NOT SCALE DRAWING		SIZE D
FINISH		THE SUBJECT MATTER SHOWN AND DESCRIBED IN THIS DRAWING AND ANY OTHER INFORMATION ADVANCED IN CONNECTION THEREWITH IS PROPRIETARY PROPERTY AND IS TO BE HELD IN STRICT CONFIDENCE BY YOU. ALL RIGHTS TO ANY INVENTIONS, DESIGNS, TRADE MARKS, TRADE NAMES AND COPYRIGHTS DISCLOSED ARE RESERVED TO TICO TERMINAL SERVICES, INC.		DWG. NO. 72771-B1
THICKNESS		REV		SHEET 1 OF 1

