

DETAIL B
SCALE 1 : 4

DETAIL G
SCALE 1 : 4

DETAIL D
SCALE 1 : 4

DETAIL E
SCALE 1 : 4

DETAIL J
SCALE 1 : 4

DETAIL N
SCALE 1 : 4

DETAIL H
SCALE 1 : 4

DETAIL K
SCALE 1 : 4

DETAIL L
SCALE 1 : 4

DETAIL T
SCALE 1 : 4

DETAIL R
SCALE 1 : 4

DIMENSIONS ARE IN INCHES TOLERANCES: DECIMAL: XX ± 0.04 XXX ± 0.03 XXXX ± 0.005 ANGULAR: FRACTIONAL: ± 1/32"		NAME DFM	DATE 06/15/2015	 TICO/TERMINAL SERVICE 64 CYPRESS RIDGE DR. RIDGELAND, SC 29936 (843) 717-2226
INTERPRET GEOMETRIC TOLERANCING PER: ASME Y14.5M-1994		CHECKED	APPROVED	
MATERIAL:		DO NOT SCALE DRAWING		SIZE D
FINISH:		THE SUBJECT MATTER SHOWN AND DESCRIBED IN THIS DRAWING AND ANY OTHER INFORMATION ADVANCED IN CONNECTION THEREWITH IS PROPRIETARY PROPERTY AND IS TO BE HELD IN STRICT CONFIDENCE BY YOU. ALL RIGHTS TO ANY INVENTIONS, DESIGNS, TRADE MARKS, TRADE NAMES AND COPYRIGHTS DISCLOSED ARE RESERVED TO TICO/TERMINAL SERVICES, INC.		DWG. NO. 72770-C1
THICKNESS:		SCALE: 1:32 WEIGHT: 2549.85 LBS		REV 1 OF 1

REV 72770-C1

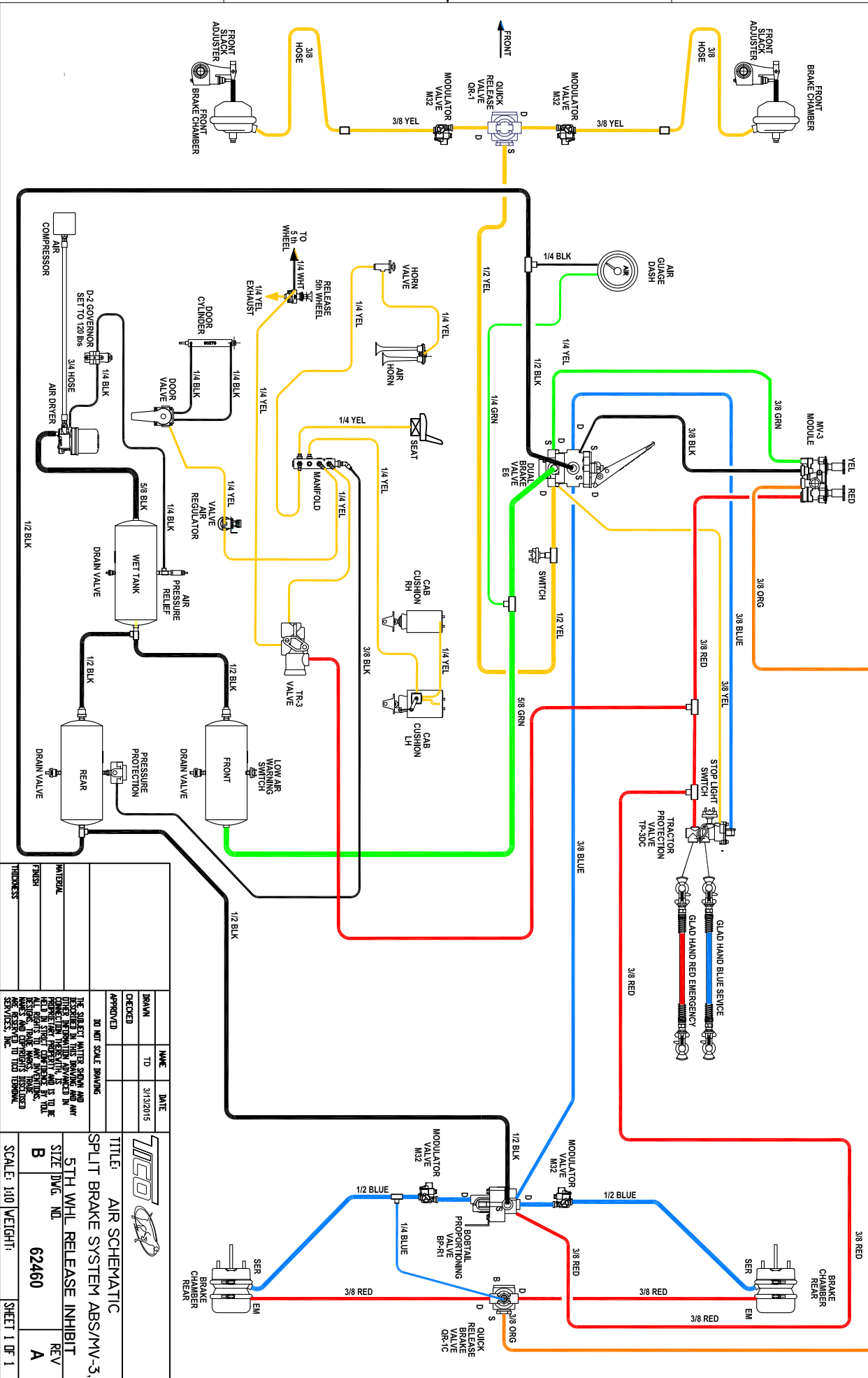
TICO PRO-SPOTTER

S/N: AIR SYSTEM-DOT-121, 3 TANKS, MV3 **72770**

ITEM	PART #	QTY/M	DESCRIPTION	TASK
	72770-C1	REF	AIR SYSTEM	
	62460	REF	SCHEMATIC-3 TANK, SPLIT SYS, DOT-121, MV3	
	40866	REF	AIR RESERVOIR ASSEMBLY	
1	42087	1	ASSEMBLY, AIR TANK	
2	12336	1	PLATE, RESERVIOR MOUNTING	
3	82385	4	BOLT, HEX, 1/2-13 X 1 1/4 LG	
4	85115	8	WASHER, FLAT, HARD, 1/2	
5	85027	4	NUT, NYLOK, 1/2-13	
6	10032	1	RESERVOIR, AIR	
7	40393-1	4	BRACKET, AIR RESERVOIR MOUNT	
8	42084	1	VALVE, AIR TANK DRAIN	
9	60023	1	GOVERNOR, D2 W/GASKET	
10	90026	1	PEDAL, BRAKE	
11	40547	1	VALVE, DUAL BRAKE, E-6	
12	10592	1	VALVE, BRAKE, QUICK RELEASE, QR-1C	
13	40550	1	VALVE, BRAKE, QUICK RELEASE, QR-1	
14	40572	1	VALVE, BOBTAIL/PROPORTIONING, BP-R1 W/BRACKET	
15	91966	1	VALVE-INVERSION TR-3	
16	90078	2	SWITCH, PRESSURE	
17	10949	1	MANIFOLD, ASSEMBLY, AIR	
18	90295	1	VALVE, AIR REGULATOR	
19	40148	2	VALVE, AIR TANK DRAIN	
20	40771	1	VALVE, PRESSURE PROTECTION, 70 PSI	
21	62253	1	BRACKET, HOSE GUIDE	
22	50038-1	3	GLADHAND, BLUE	
23	50039-1	3	GLADHAND, RED	
24	50303	2	HOSE, TRAILER AIR, 15 FT	
25	10356	1	SPRING	
26	40080	2	CLAMP, TRAILER HOSE	
27	40799	2	FITTING, CLOSE NIPPLE, BRASS, 1/2 NPT	
28	40899	2	FITTING, ELBOW, 90°, STREET, BRASS, 1/2 NPT	
29	40687	2	HOSE ASSY, FRONT BRAKE CHAMBER	
30	40029-1	1	CHECK VALVE, AIR TANK	
	40570	REF	VALVE, PARKING BRAKE, MV3	

REV	DATE	BY	SHEET
			1 OF 1

REV.	DESCRIPTION	EQ#	DATE	APPROVED
A	PRODUCTION RELEASE	1592	3/13/2015	



<p>THE SUBJECT MATTER SHOWN AND ANY CONNECTION THEREWITH, IS TO BE HELD IN STRICT CONFIDENCE BY YOU AND YOUR EMPLOYEES, AND NOT TO BE REPRODUCED OR TRANSMITTED IN ANY MANNER WITHOUT THE WRITTEN CONSENT OF TRAVELER, INC.</p>	
DATE	3/13/2015
NAME	TD
CHECKED	
APPROVED	
<p>DO NOT SCALE DIMENSIONS</p>	
<p>TITILE: AIR SCHEMATIC</p>	
<p>SPLIT BRAKE SYSTEM ABS/MV-3,</p>	
<p>5TH WHL RELEASE INHIBIT</p>	
SIZE DWG. NO.	62460
REV	A
SCALE: 1:10	WEIGHT:
<p>SHEET 1 OF 1</p>	