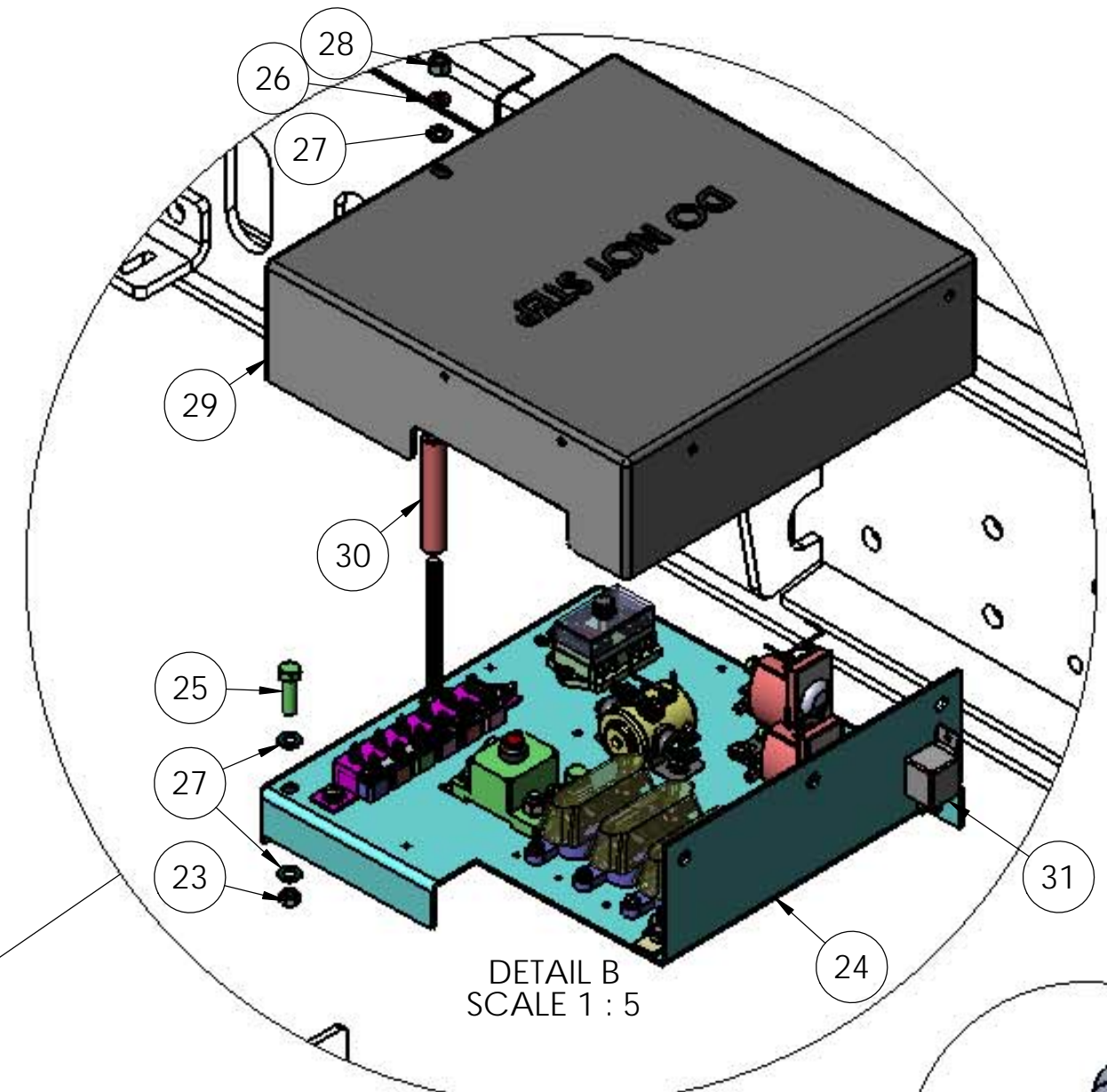
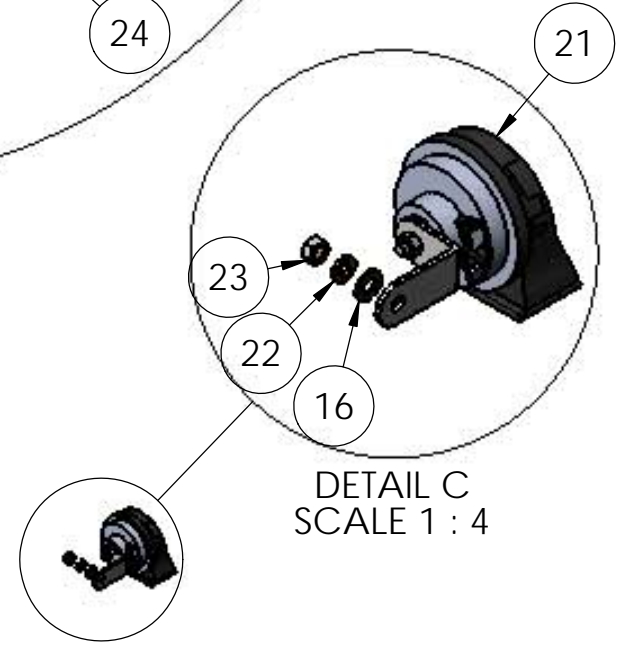


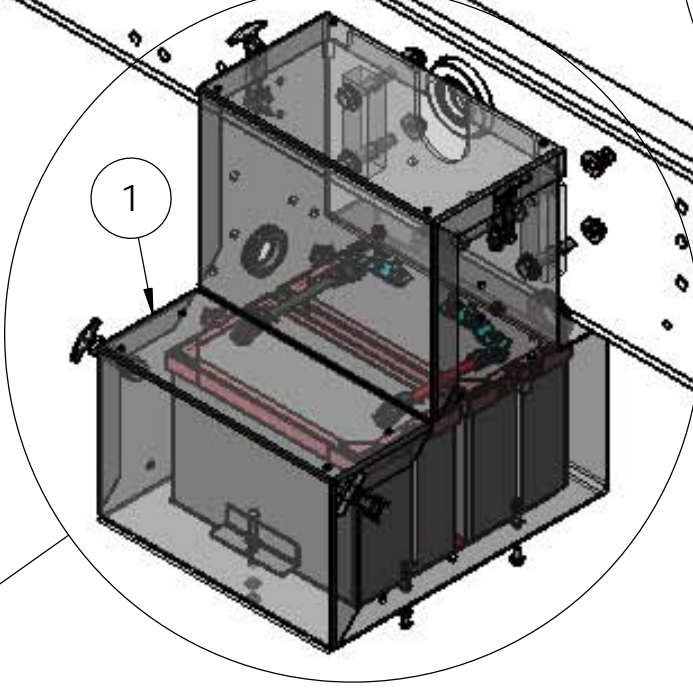
DETAIL A
SCALE 1 : 3



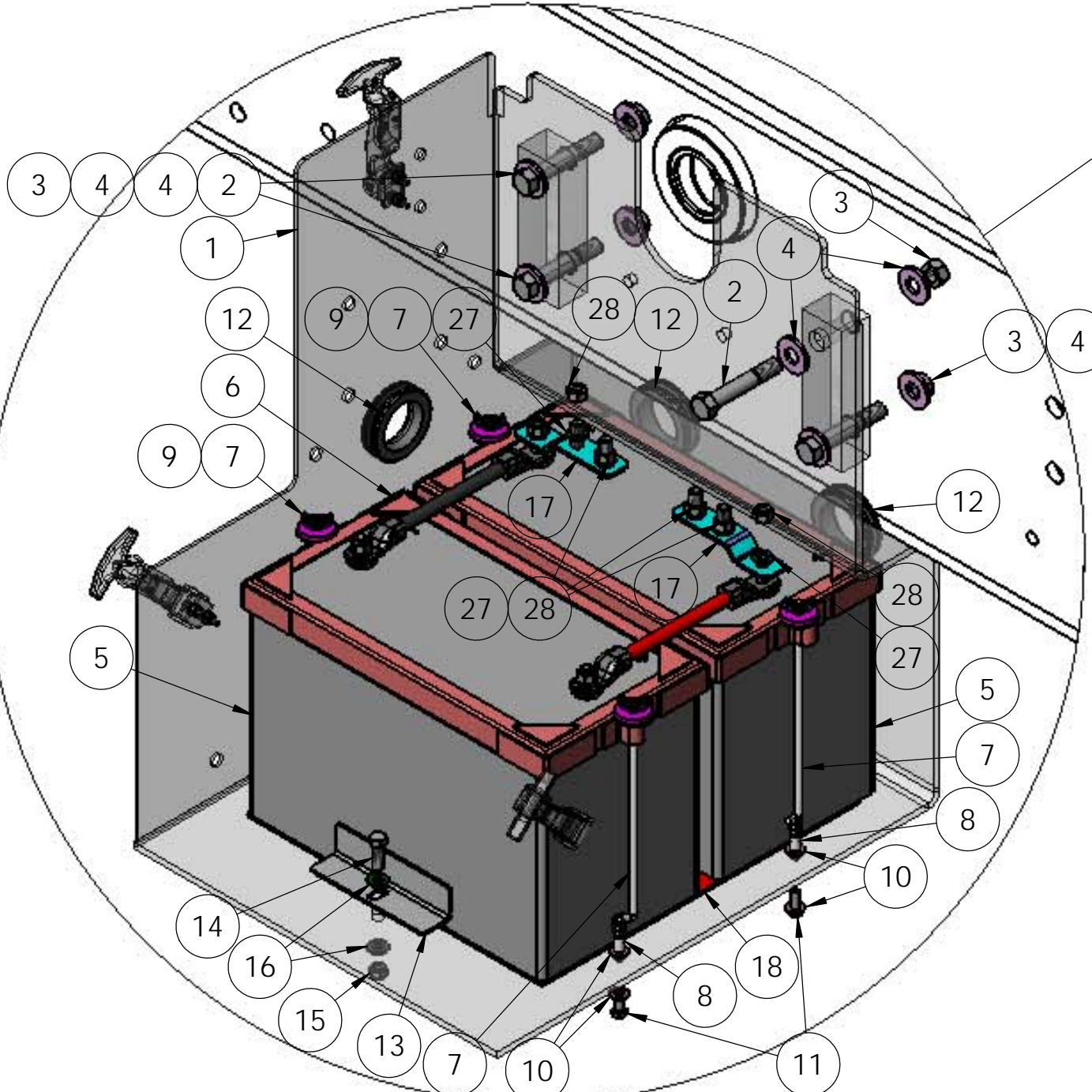
DETAIL B
SCALE 1 : 5



DETAIL C
SCALE 1 : 4



DETAIL D
SCALE 1 : 5



DIMENSIONS ARE IN INCHES		NAME	DATE	TICO/TERMINAL SERVICE 66 CYPRESS RIDGE DR. RIDGELAND, SC 29936 (843) 717-2226	
TOLERANCES:		DRAWN	SMB		2/12/15
DECIMAL:		CHECKED			
.XX ± 0.06 .XXX ± 0.03 .XXXX ± 0.005		APPROVED			
ANGULAR: FRACTIONAL ± 0.5° ± 1/32"		DO NOT SCALE DRAWING			
INTERPRET GEOMETRIC TOLERANCING PER: ASME 14.5M-1994		THE SUBJECT MATTER SHOWN AND DESCRIBED IN THIS DRAWING AND ANY OTHER INFORMATION ADVANCED IN CONNECTION THEREWITH, IS PROPRIETARY PROPERTY AND IS TO BE HELD IN STRICT CONFIDENCE BY YOU. ALL RIGHTS TO ANY INVENTIONS, DESIGNS, TRADE MARKS, TRADE NAMES AND COPYRIGHTS DISCLOSED ARE RESERVED TO TICO TERMINAL SERVICES, INC.			
MATERIAL		TITLE:		BATTERY & WIRING, 2 BATTERIES	
FINISH		SIZE	DWG. NO.		REV
THICKNESS		C	72762-A1		
		SCALE: 1:5		WEIGHT: 2249.21	
				SHEET 1 OF 1	

TICO PRO-SPOTTER				
S/N:		BATTERY & WIRING - QSB Ivi, ACC, BACK-UP ALARM		72762
ITEM	PART #	QTY/M	DESCRIPTION	TASK/REV
	72762-A1	REF	BATTERY & WIRING, 2 BATTERIES	
1	62012	1	ASSEMBLY, TRIPLE BATTERY BOX	
	62004	1	BASE, TRIPLE BATTERY BOX	
	62003	1	COVER, TRIPLE BATTERY BOX	
2	82485	4	BOLT, HEX, 5/8-11 X 3 1/2 LG	
3	85028	4	LOCKNUT, NYLOCK, 5/8-11	
4	85094	8	WASHER, FLAT, HARD, 5/8	
5	91814	2	BATTERY, 12V	
6	20075	2	BATTERY HOLD DOWN	
7	20012	4	ASSEMBLY, J-BOLT	
	20012-1	4	J-BOLT, 1/4-20, BATTERY HOLD DOWN	
	80129	4	WASHER, FENDER, 1/4-20	
	20012-3	4	NUT, WING, 1/4-20	
8	20077	4	COUPLING, EYE, 1/4-20	
9	20012-4	4	WASHER, .25 x 1.25 x .88, GRAY PLASTIC	
10	85111	8	WASHER, FLAT, HARD, 1/4	
11	82359	4	BOLT, HEX 1/4-20 X 3/4 LG	
12	90120	3	GROMMET	
13	12070	1	BRACKET, BATTERY STOP	
14	82371	1	BOLT, HEX, 5/16-18 X 1" LG	
15	85002	1	NUT, HEX, 5/16-18	
16	85112	2	WASHER, FLAT, 5/16	
17	90957	2	BUSS BAR, BATTERY	
18	40210-2	1	RUBBER MAT, BATTERY BOX	
	91250	1	ASSEMBLY, BACKUP ALARM, STANDARD, VELVAC	
19	40198	1	ALARM, BACKUP, 112 DBA, VELVAC	
20	85023	2	LOCKNUT, NYLOCK, 1/4-20	
21	90207	1	HORN, ELECTRIC	
22	85134	1	LOCKWASHER, 5/16	
23	85002	2	NUT, HEX, 5/16-18	
24	61675	1	CHASSIS PDC	
25	82383	2	BOLT, HEX, 3/8-16 X 1 1/4 LG	
26	85135	2	LOCKWASHER, 3/8	
27	85113	4	WASHER, FLAT, HARD, 3/8	
28	85014	1	NUT, HEX, 3/8-16	
29	91938	1	COVER, PDC PANEL	
30	61597	1	SPACER	
REV	DATE	BY		SHEET
				1 OF 2

TICO MANUFACTURING - RIDGELAND, SC 29936

