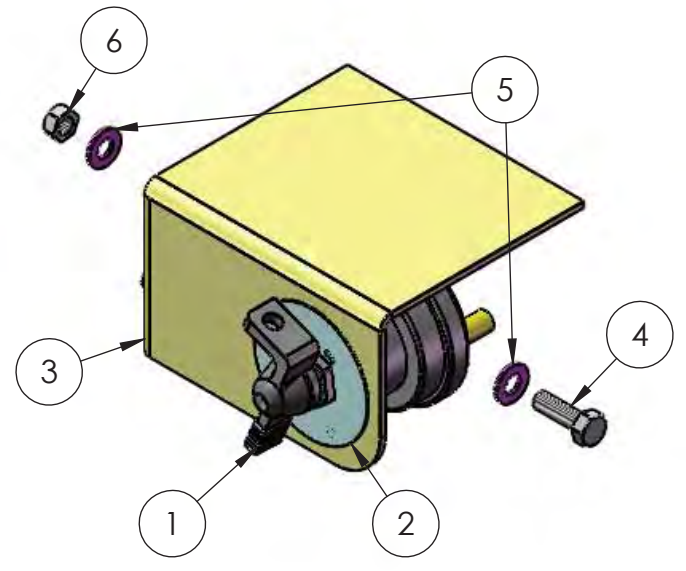



8 7 6 5 4 3 2 1

D  
C  
B  
A

D  
C  
B  
A



DIMENSIONS ARE IN INCHES		NAME	DATE	 TICO/TERMINAL SERVICE 66 CYPRESS RIDGE DR. RIDGELAND, SC 29936 (843) 717-2226			
TOLERANCES:		DRAWN	SMB		2/23/15		
DECIMAL:		CHECKED					
X.X ± 0.06 X.XX ± 0.03 X.XXX ± 0.005 ANGULAR: ± 0.5° FRACTIONAL ± 1/32"		APPROVED					
INTERPRET GEOMETRIC TOLERANCING PER: ASME 14.5M-1994		DO NOT SCALE DRAWING			TITLE: <b>SWITCH, BATTERY DISCONNECT, 2 BATTERY</b>		
MATERIAL		THE SUBJECT MATTER SHOWN AND DESCRIBED IN THIS DRAWING AND ANY OTHER INFORMATION ADVANCED IN CONNECTION THEREWITH, IS PROPRIETARY PROPERTY AND IS TO BE HELD IN STRICT CONFIDENCE BY YOU. ALL RIGHTS TO ANY INVENTIONS, DESIGNS, TRADE MARKS, TRADE NAMES AND COPYRIGHTS DISCLOSED ARE RESERVED TO TICO TERMINAL SERVICES, INC.			SIZE <b>B</b>	DWG. NO. <b>72743-B1</b>	REV <b>B1</b>
FINISH					SCALE: 1:4	SHEET 1 OF 1	
THICKNESS							

8 7 6 5 4 3 2 1

