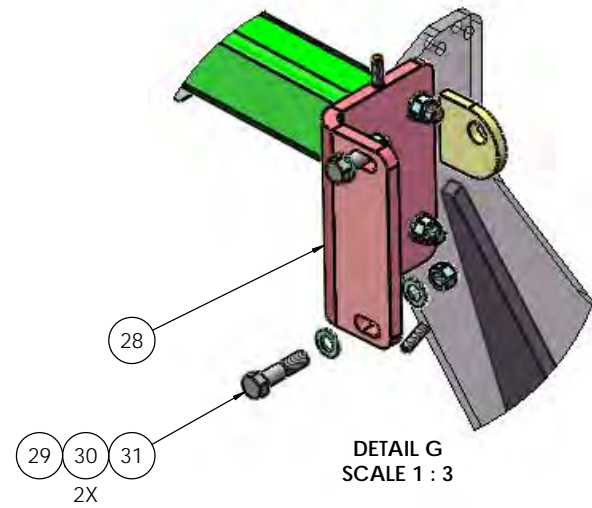
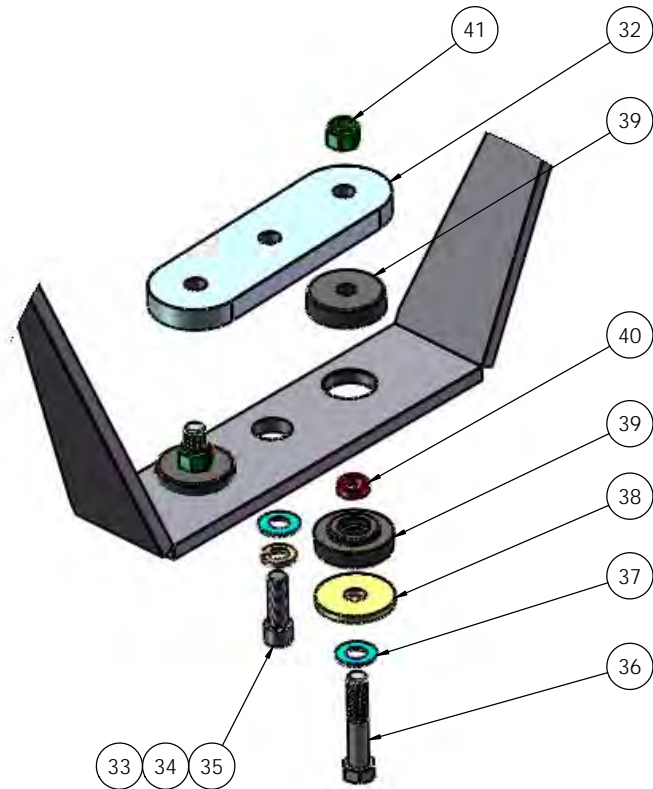


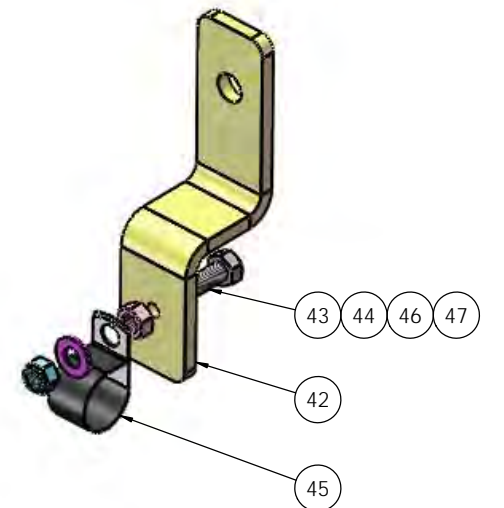
DETAIL D
SCALE 2 : 3



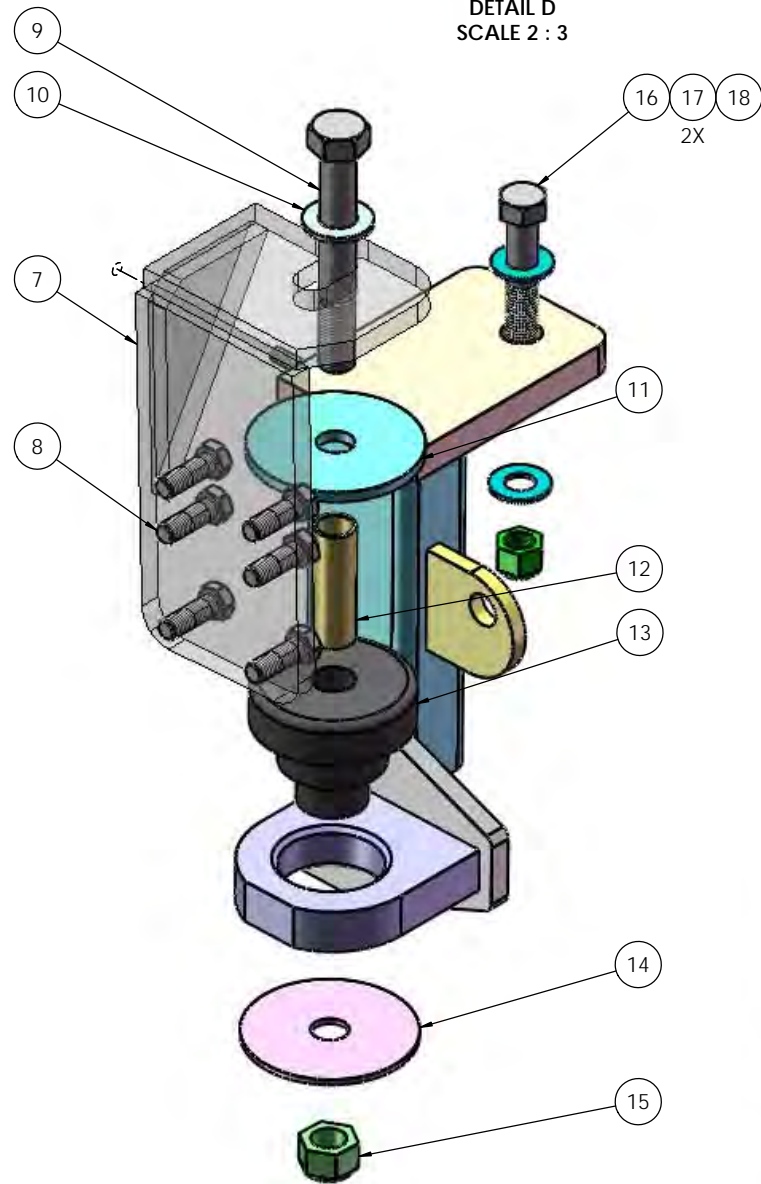
DETAIL G
SCALE 1 : 3



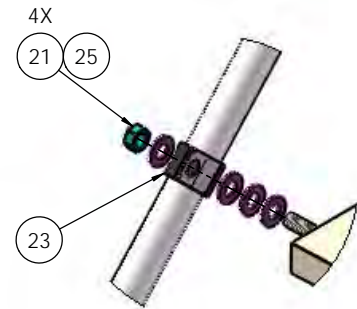
DETAIL H
SCALE 1 : 3



DETAIL I
SCALE 2 : 3



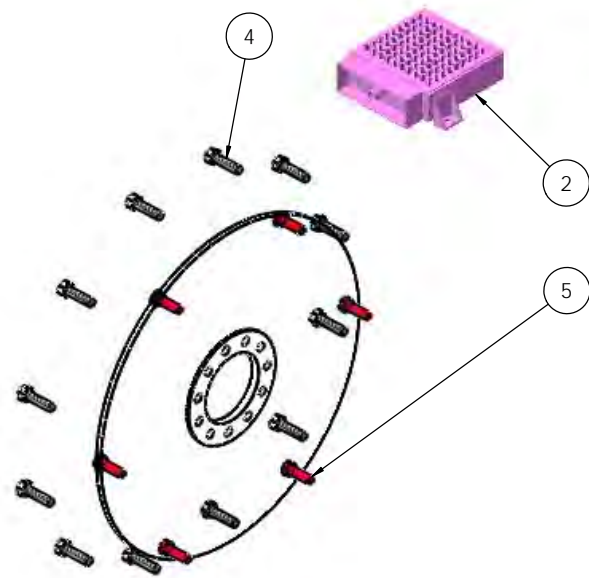
DETAIL C
SCALE 1 : 2



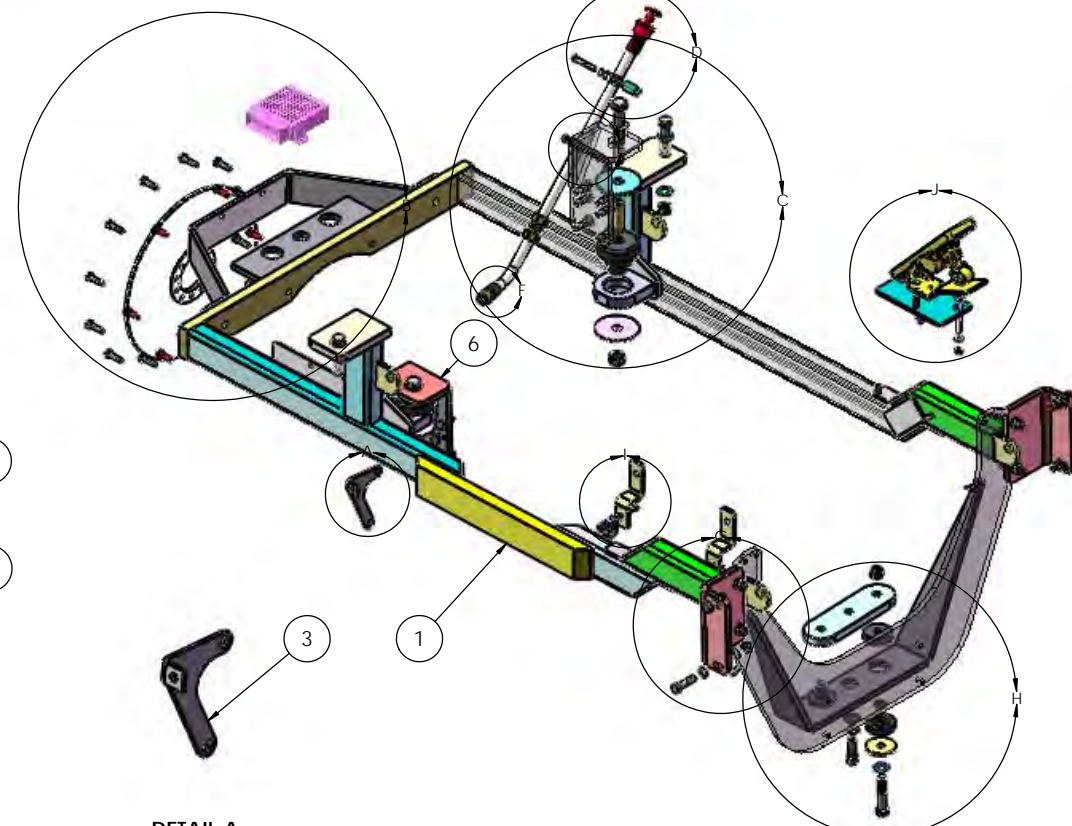
DETAIL E
SCALE 1 : 2



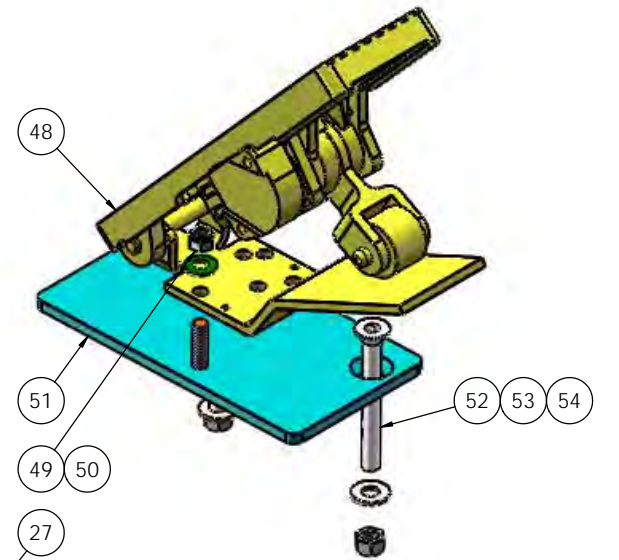
DETAIL F
SCALE 1 : 3



DETAIL B
SCALE 1 : 4



DETAIL A
SCALE 1 : 4



DETAIL J
SCALE 1 : 2

NOTE: ENGINE & TRANSMISSION NOT SHOWN FOR CLARITY

DIMENSIONS ARE IN INCHES TOLERANCES: DECIMAL XX ± 0.06 XXX ± 0.03 XXXX ± 0.005 ANGULAR FRACTIONAL ± 1/32"		NAME DATE	TICO/TERMINAL SERVICE 44 CYPRESS RIDGE DR. RIDGELAND, SC 29936 (843) 717-2226	
DRAWN REVISED APPROVED		SWB MPC MPC	TICO	
INTERPRET GEOMETRIC TOLERANCING PER: ASME Y14.5M-1994		DO NOT SCALE DRAWING		
MATERIAL		THE SUBJECT MATTER SHOWN AND DESCRIBED IN THIS DRAWING AND ANY OTHER INFORMATION ADVANCED IN CONNECTION THEREWITH IS PROPRIETARY PROPERTY AND IS TO BE HELD IN STRICT CONFIDENCE BY YOU. ALL RIGHTS TO ANY INVENTIONS, DESIGNS, TRADE MARKS, TRADE NAMES AND COPYRIGHTS DISCLOSED ARE RESERVED TO TICO TERMINAL SERVICES, INC.		
FINISH		TITLE: ASSEMBLY, ENGINE & TRANSMISSION		REV
THICKNESS		SIZE D	DWG. NO. 72735-F1	SHEET 1 OF 1

TICO PRO-SPOTTER				
S/N:		ASSEMBLY, ENGINE & TRANSMISSION		72735
ITEM	PART #	QTY/M	DESCRIPTION	
	72735-F1	REF	ASSEMBLY, ENGINE & TRANSMISSION	
NOT SHOWN	62434	1	ENGINE, CUMMINS, ISB, 200 HP@2600 RPM, BLACK HEATER (WITH AC)	
NOT SHOWN	60799-13	1	TRANSMISSION, RDS 3000, ALLISON, TC-411	
NOT SHOWN	62192	1	SHIFTER, TRANSMISSION, PUSH BUTTON, GENERATION V	
NOT SHOWN	62350	1	ALTERNATOR, 130 AMP, 24 SI, DELCO	
1	62115	1	ENGINE CRADLE, ISB	
2	62180	1	TCM, 1ST THROUGH 5TH SPEED, 1950/2800 RPM, GENERATION V	
NOT SHOWN	82359	3	BOLT, HEX HEAD, 1/4-20 X 3/4 LONG	
NOT SHOWN	85089	6	WASHER, FLAT, 1/4	
NOT SHOWN	85023	3	LOCKNUT, NYLON, 1/4-20	
3	90910	1	BRACKET, BATTERY CABLE SUPPORT	
4	60799-12	1	KIT, MOUNTING, TRANSMISSION	
5	60799-6	6	BOLT, FLEX PLATE/TORQUE CONVERSION	
6	60981	1	MOUNT, REAR ENGINE, LEFT-HAND	
7	60982	1	MOUNT, REAR ENGINE, RIGHT-HAND	
8	80240	12	BOLT, HEX HEAD, 12 MM X 1-1/2 X 35 MM LONG (TORQUE: 40)	
9	82574	2	BOLT, HEX HEAD, 3/4-10 X 5-1/2 LONG	
10	85095	2	WASHER, FLAT, 3/4	
11	60740	2	WASHER, FLAT, 3/4-10 (REAR ENGINE MOUNT)	
12	61677-8	2	SPACER, BOLT	
13	61678	2	ISOLATOR, REAR ENGINE	
14	60740-1	2	WASHER, FLAT, 3/4-10 (REAR ENGINE MOUNT)	
15	85029	2	LOCKNUT, NYLON, 3/4-10 (TORQUE: 210)	
16	82552	2	BOLT, HEX HEAD, 3/4-10 X 5 LONG (TORQUE: 210)	
17	85095	4	WASHER, FLAT, 3/4	
18	85029	2	LOCKNUT, NYLON, 3/4-10	
19	61574	1	DIPSTICK, TRANSMISSION, RDS	
20	82382	3	BOLT, HEX HEAD, 5/16-18 X 2-1/4 LONG	
21	85090	8	WASHER, FLAT, 5/16	
22	85134	2	LOCKWASHER, FLAT, 5/16	
23	42197	2	P-CLAMP, 3/4"	
24	12091	2	SPACER, DIPSTICK CLIP	
25	85024	1	LOCKNUT, NYLON, 5/16-18	
26	62126	1	CLIP, DIPSTICK RETAINER	
REV	DATE	BY		SHEET
F	10/13/2016	MPC		1 OF 3

