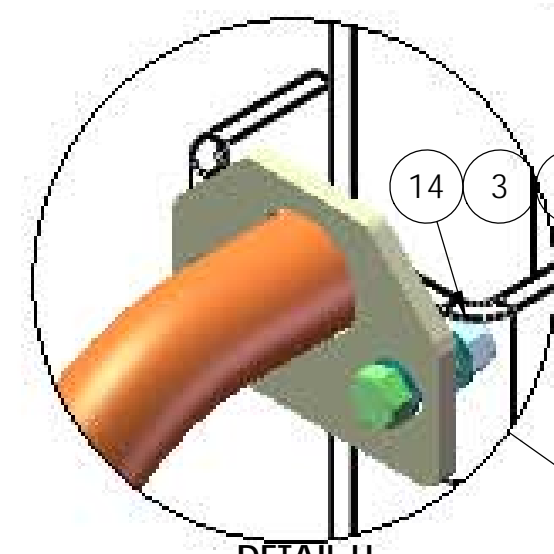
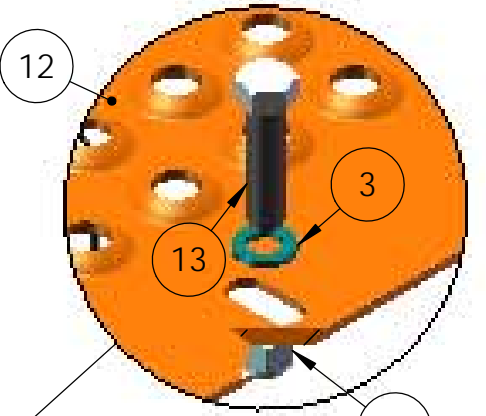


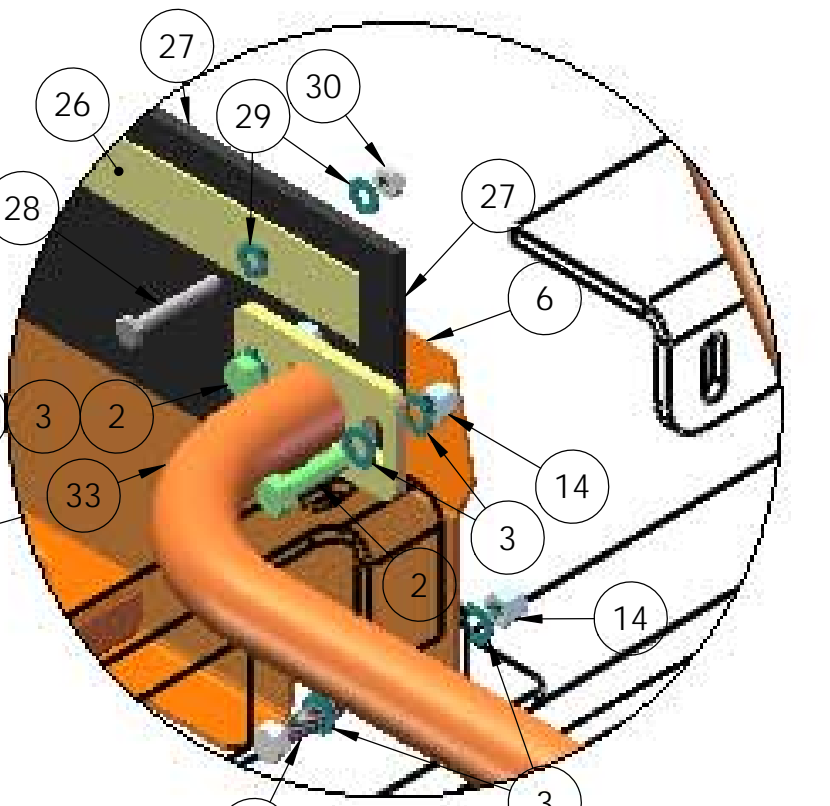
DETAIL G
SCALE 1 : 2



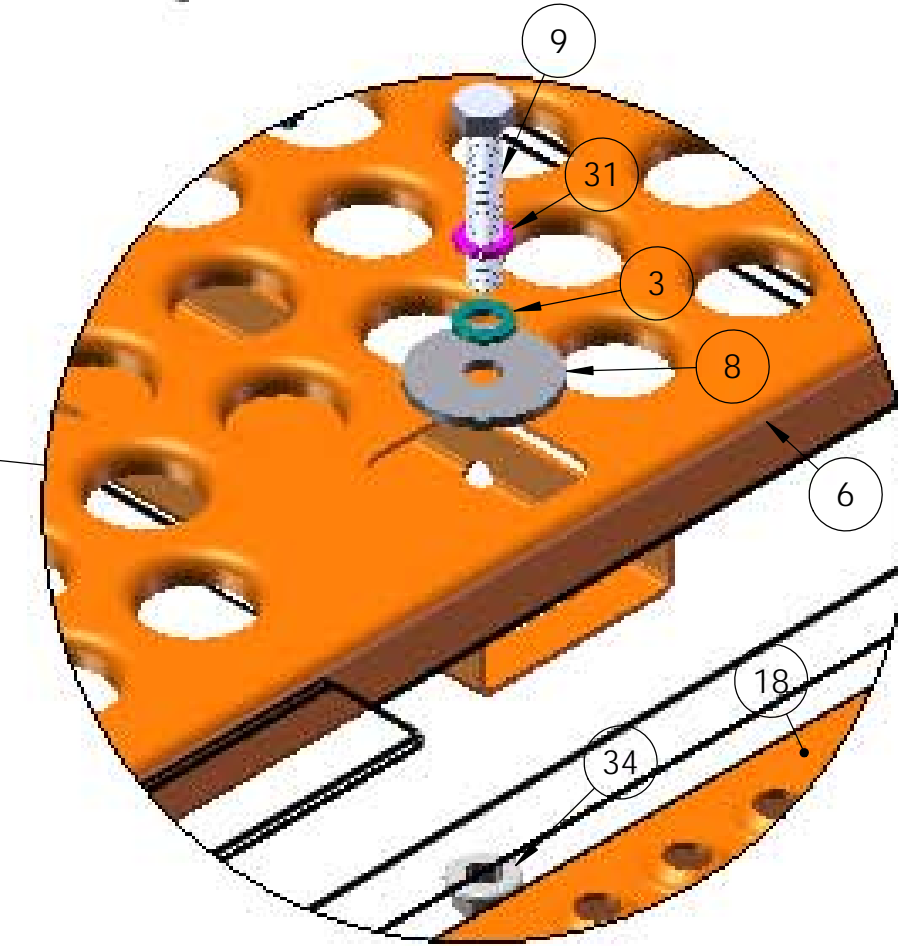
DETAIL H
SCALE 1 : 2



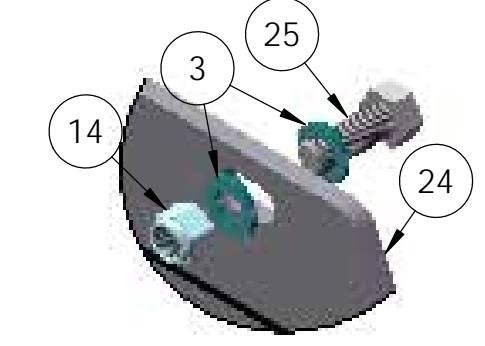
DETAIL A
SCALE 1 : 2



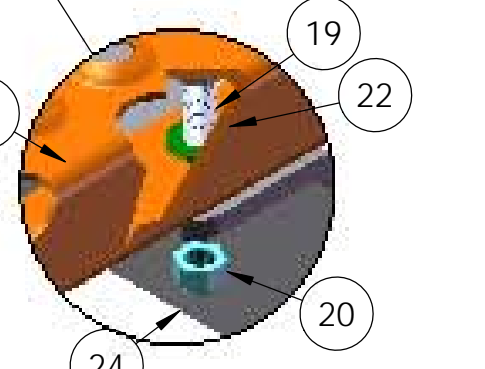
DETAIL B
SCALE 1 : 3



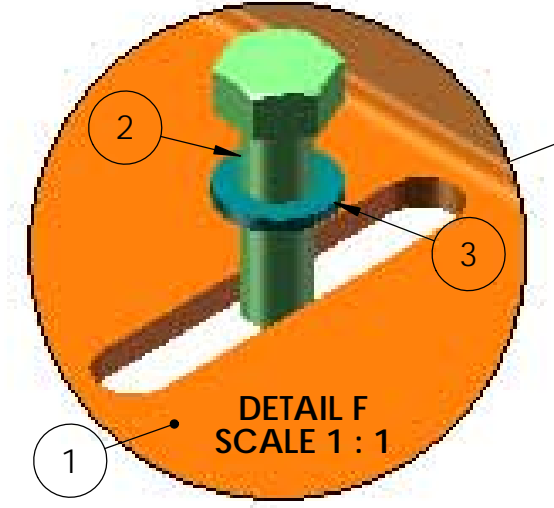
DETAIL C
SCALE 1 : 2



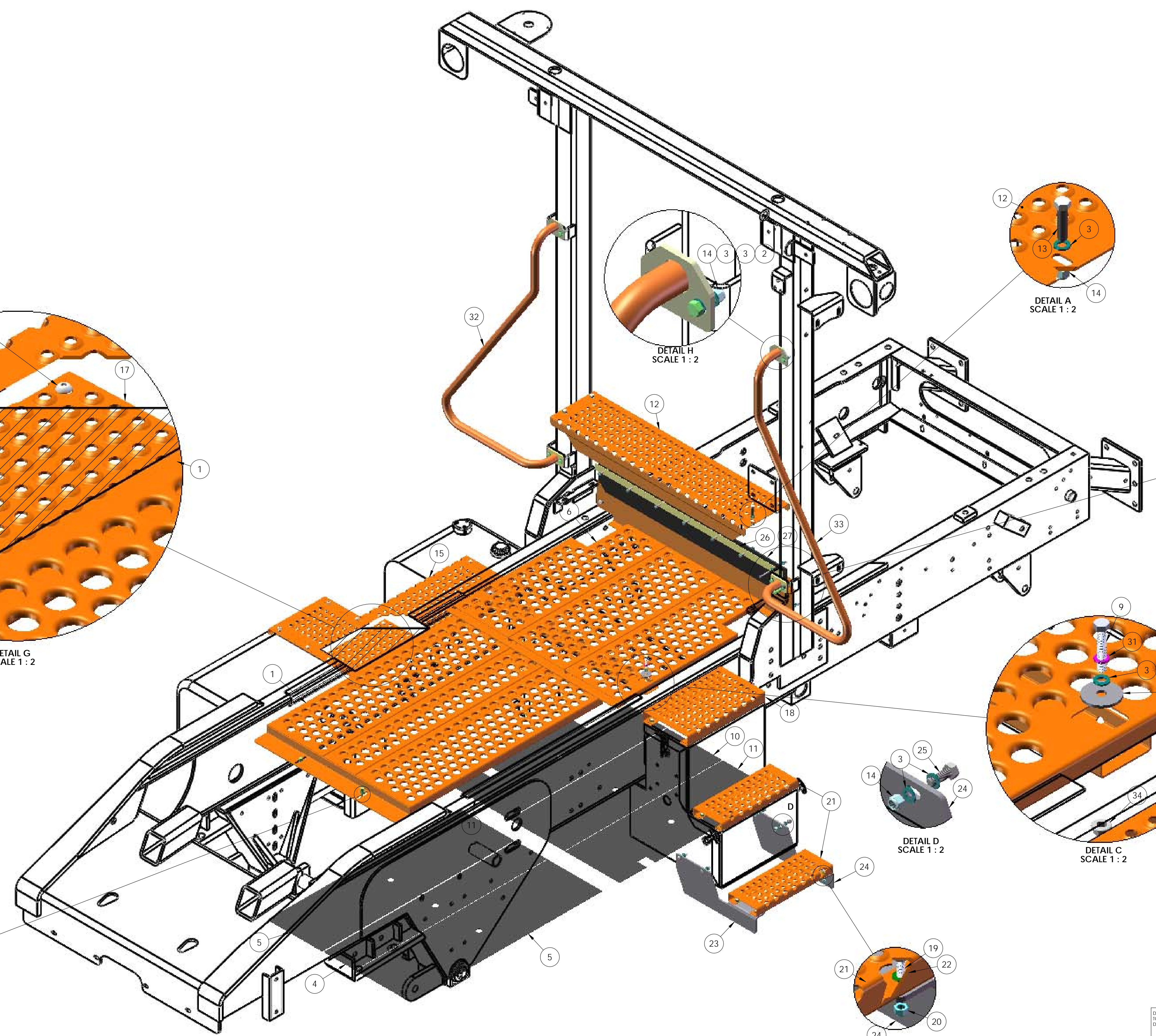
DETAIL D
SCALE 1 : 2



DETAIL E
SCALE 1 : 2



DETAIL F
SCALE 1 : 1



| | | | | |
|--------------------------|--|--|------|--|
| DIMENSIONS ARE IN INCHES | | NAME | DATE | TICO/TERMINAL SERVICE 66 CYPRESS RIDGE DR. RIDGELAND, SC 29926 (843) 717-2226 |
| TOLERANCES: | | DRAWN | SMB | |
| DECIMAL: | | CHECKED | | |
| XXX ± 0.06 | | APPROVED | | |
| XXX ± 0.03 | | DO NOT SCALE DRAWING | | |
| XXXX ± 0.005 | | THE SUBJECT MATTER SHOWN AND DESCRIBED IN THE DRAWING AND ANY OTHER INFORMATION ADVANCED IN CONNECTION HEREWITH IS PROPRIETARY PROPERTY AND IS TO BE HELD IN STRICT CONFIDENCE BY YOU. ALL RIGHTS TO ANY INVENTIONS, TRADEMARKS, TRADE NAMES AND COPYRIGHTS DISCLOSED ARE RESERVED TO TICO/TERMINAL SERVICES, INC. | | |
| ANGULAR: | | TITLE: COVERS & GRATING | | |
| FRACTIONAL: | | SIZE DWG. NO. 72731-A1 | | |
| ± 1/32" | | REV | | |
| | | SCALE: 1:1 WEIGHT: SHEET 1 OF 1 | | |

| TICO PRO-SPOTTER | | | | |
|------------------|----------|--|--|--------|
| S/N: | | COVERS & GRATING - QSB OPEN GRIP PATTERN | | 72731 |
| ITEM | PART # | QTY/M | DESCRIPTION | TASK |
| | 72731-A1 | REF | COVERS & GRATING - QSB OPEN GRIP PATTERN | |
| 1 | 30293 | 1 | GRATING, BOOM COVER | |
| 2 | 82383 | 10 | BOLT, HEX, 3/8-16 X 1 1/2" LG | |
| 3 | 85091 | 34 | WASHER, FLAT, 3/8" | |
| 4 | 30249 | 1 | HEAT SHIELD, 7" | |
| 5 | 30250 | 2 | HEAT SHIELD, 12" | |
| 6 | 30352 | 1 | GRATING, TRANSMISSION COVER | |
| 7 | 80316 | 2 | BOLT, HEX, 3/8-16 X 1 1/4" LG, SS | |
| 8 | 50162-9 | 2 | WASHER, 1 5/8" OD X 13/32" ID X 1/8" THICK | |
| 9 | 80384 | 2 | BOLT, HEX, 3/8-16 X 2" LG, SS | |
| 10 | 30257 | 1 | HEAT SHIELD, TRANSMISSION COVER, MIDDLE | |
| 11 | 30258 | 2 | HEAT SHIELD, TRANSMISSION COVER, OUTER | |
| 12 | 30302 | 1 | GRATING, CAB STEP-UP | |
| 13 | 80317 | 4 | BOLT, HEX, 3/8-16 X 1 1/2" LG, SS | |
| 14 | 85025 | 16 | LOCKNUT, NYLOCK, 3/8-16 | |
| 15 | 30298 | 1 | GRATING, FUEL TANK, TOP | |
| 16 | 80378 | 14 | CAPSCREW, BUTTONHEAD, 3/8-16 UNC X 1/2" LG, SS | |
| 17 | 30299 | 1 | GRATING, FUEL TANK STEP | |
| 18 | 30300 | 1 | GRATING, BATTERY BOX, TOP | |
| 19 | 80382 | 12 | BOLT, HEX, 5/16-18 UNC X 1" LG, SS | |
| 20 | 85024 | 12 | NUT, NYLOCK, 5/16-18 | |
| 21 | 30301 | 2 | GRATING, BATTERY BOX, MIDDLE & BOTTOM | |
| 22 | 85090 | 4 | WASHER, FLAT, 5/16" | |
| 23 | 30267 | 1 | MOUNT PLATE, BOTTOM STEP, LH | |
| 24 | 30268 | 1 | MOUNT PLATE, BOTTOM STEP, RH | |
| 25 | 82372 | 4 | BOLT, HEX, 3/8-16 X 1" LG | |
| REV | DATE | BY | | SHEET |
| | | | | 1 OF 2 |

