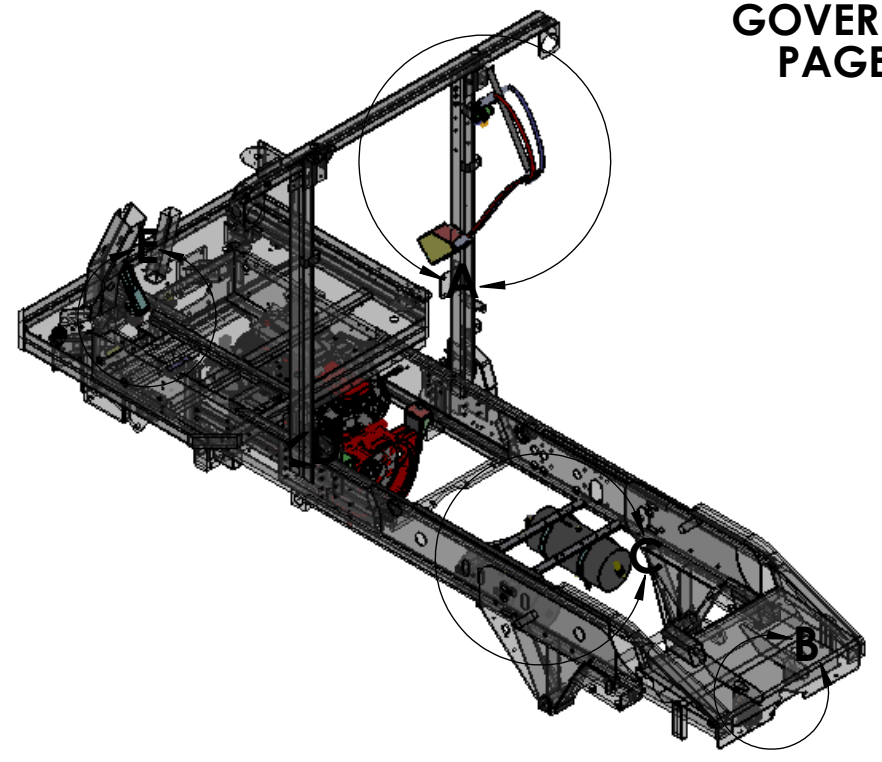
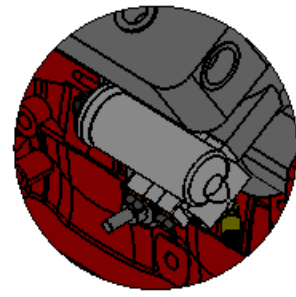


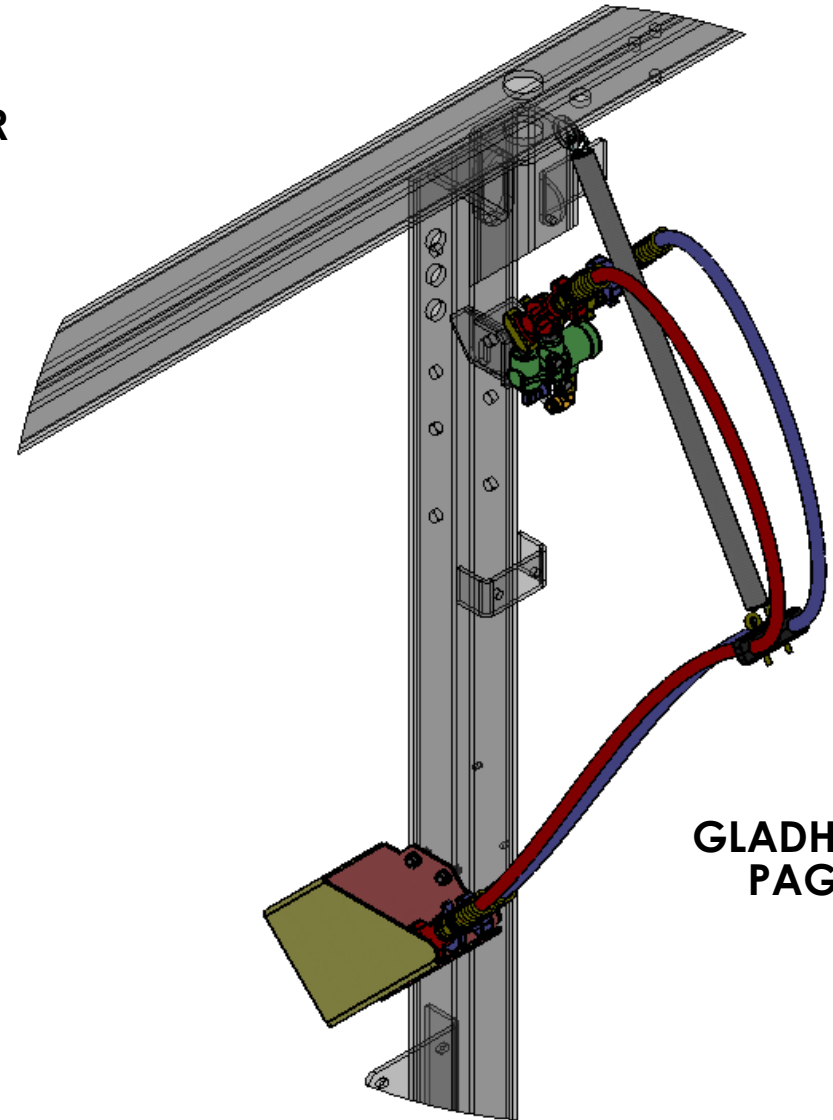
**BRAKE PEDAL & VALVES  
PAGE 3**



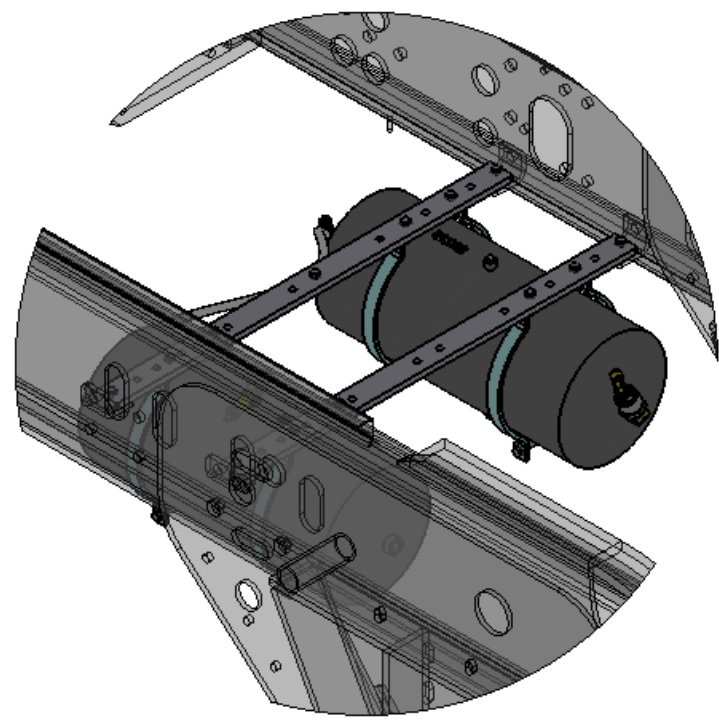
**BOBTAIL & BRAKE VALVE  
PAGE 2**



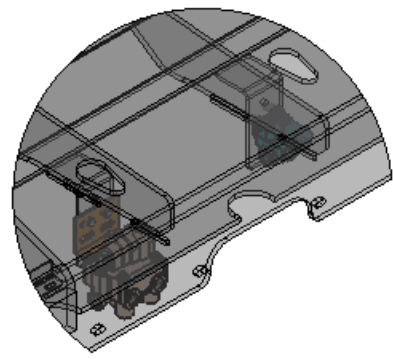
**GOVERNOR  
PAGE 2**




**GLADHANDS  
PAGE 3**



**AIR TANKS  
PAGE 2**

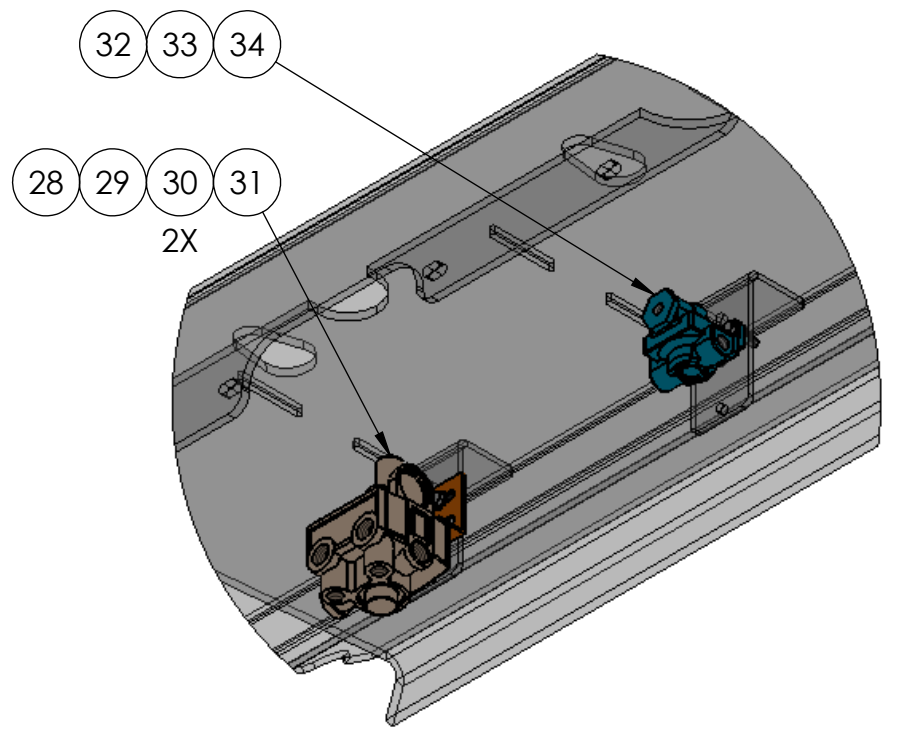
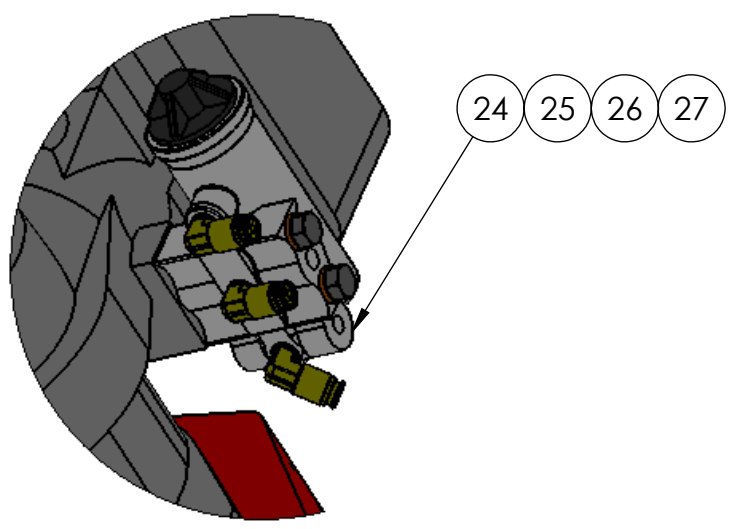
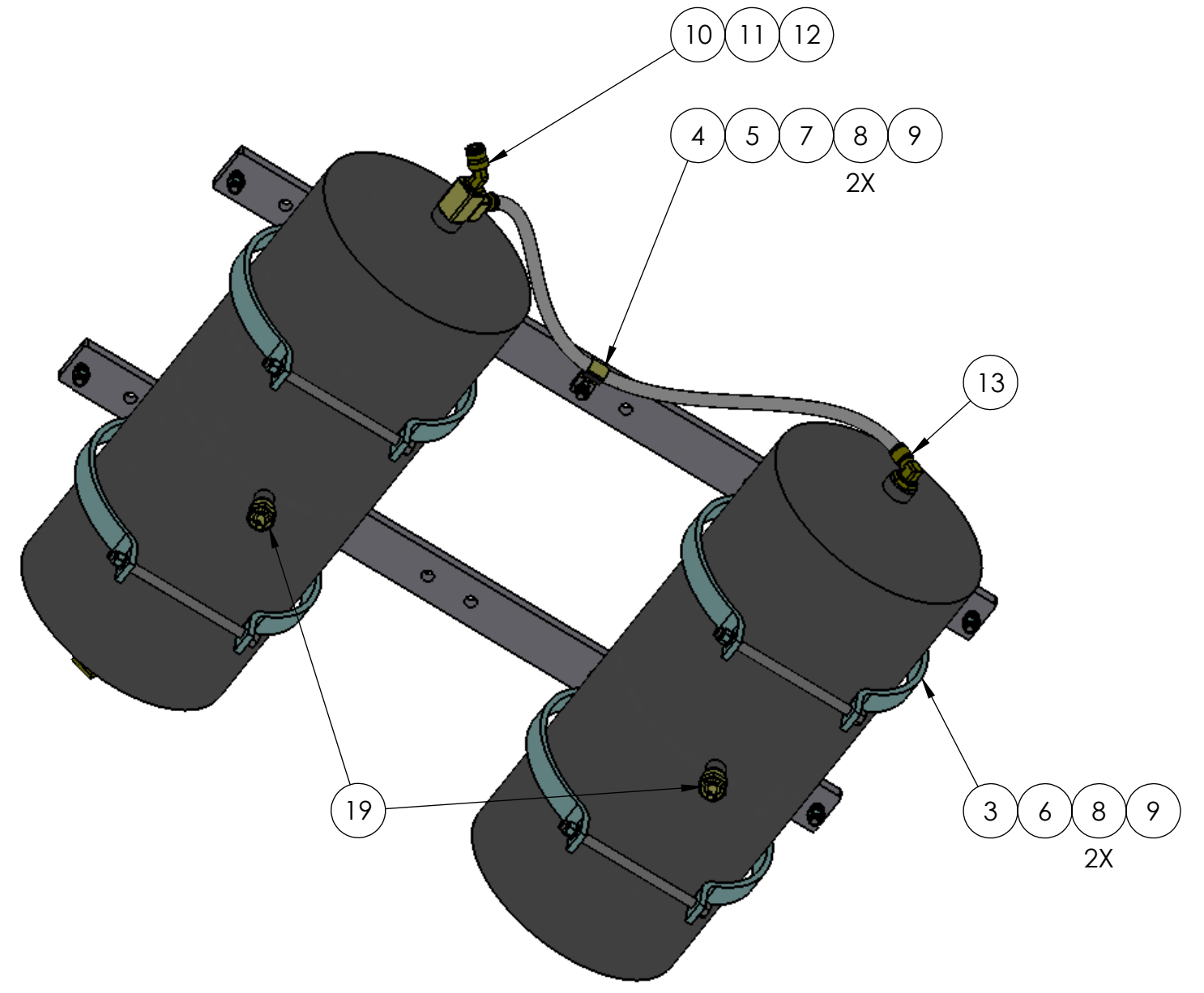
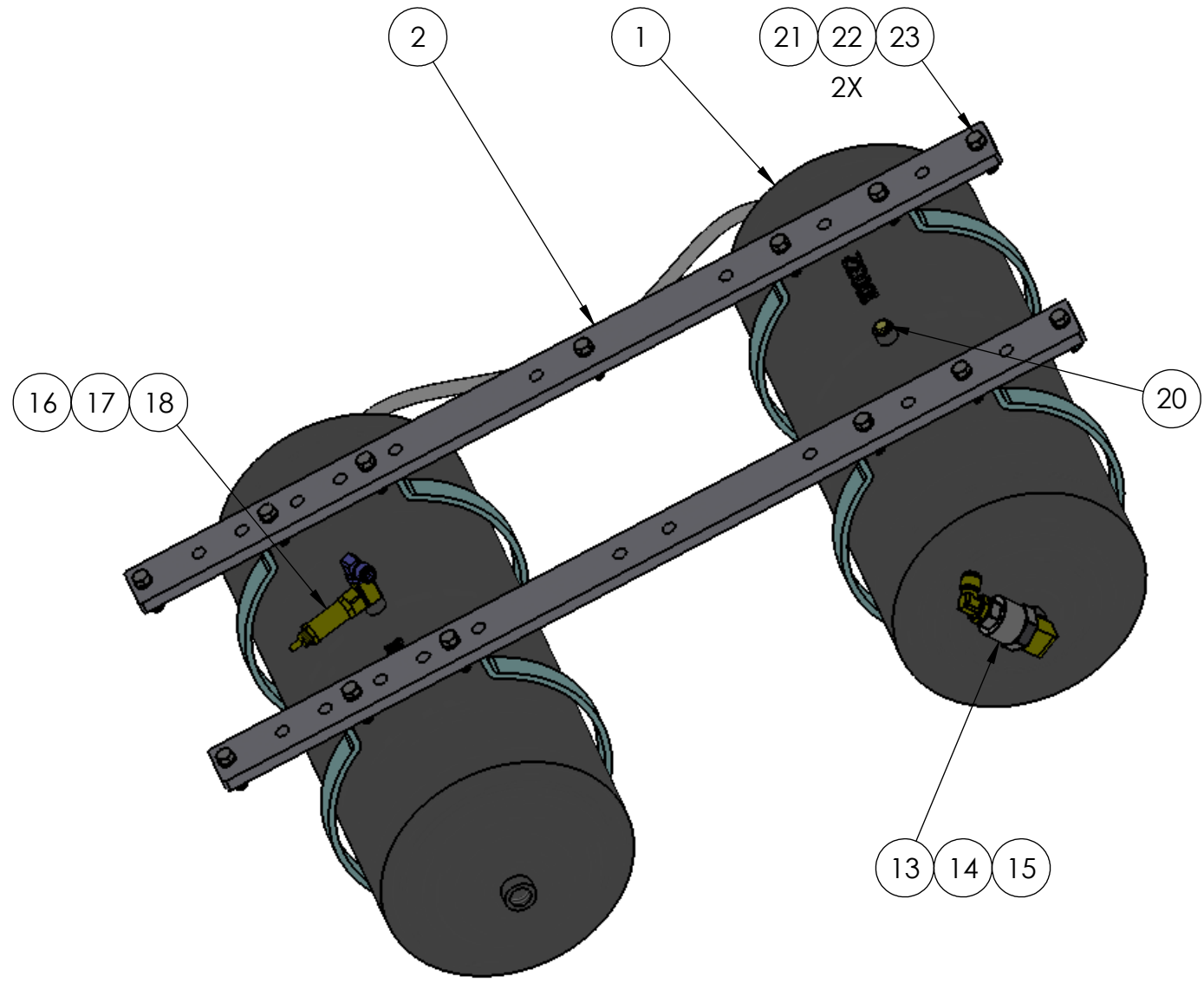



DIMENSIONS ARE IN INCHES		NAME	DATE	 TICO MANUFACTURING 66 CYPRESS RIDGE DR. RIDGELAND, SC 29936 (843) 717-2226
TOLERANCES:		DRAWN	MPC 04/26/2017	
DECIMAL:		CHECKED		
X.X ± 0.06 X.XX ± 0.03 X.XXX ± 0.005		APPROVED		
ANGULAR:		DO NOT SCALE DRAWING		TITLE: ASSEMBLY, AIR SYSTEM, TWO TANKS
FRACTIONAL ± 1/32"				THE SUBJECT MATTER SHOWN AND DESCRIBED IN THIS DRAWING AND ANY OTHER INFORMATION ADVANCED IN CONNECTION THEREWITH, IS PROPRIETARY PROPERTY AND IS TO BE HELD IN STRICT CONFIDENCE BY YOU. ALL RIGHTS TO ANY INVENTIONS, DESIGNS, TRADE MARKS, TRADE NAMES AND COPYRIGHTS DISCLOSED ARE RESERVED TO TICO TERMINAL SERVICES, INC.
MATERIAL		SIZE	DWG. NO.	REV
FINISH		<b>B</b>	72723-D1	
THICKNESS		SCALE: 1:48	WEIGHT: 4990.18	SHEET 1 OF 3

8 7 6 5 4 3 2 1

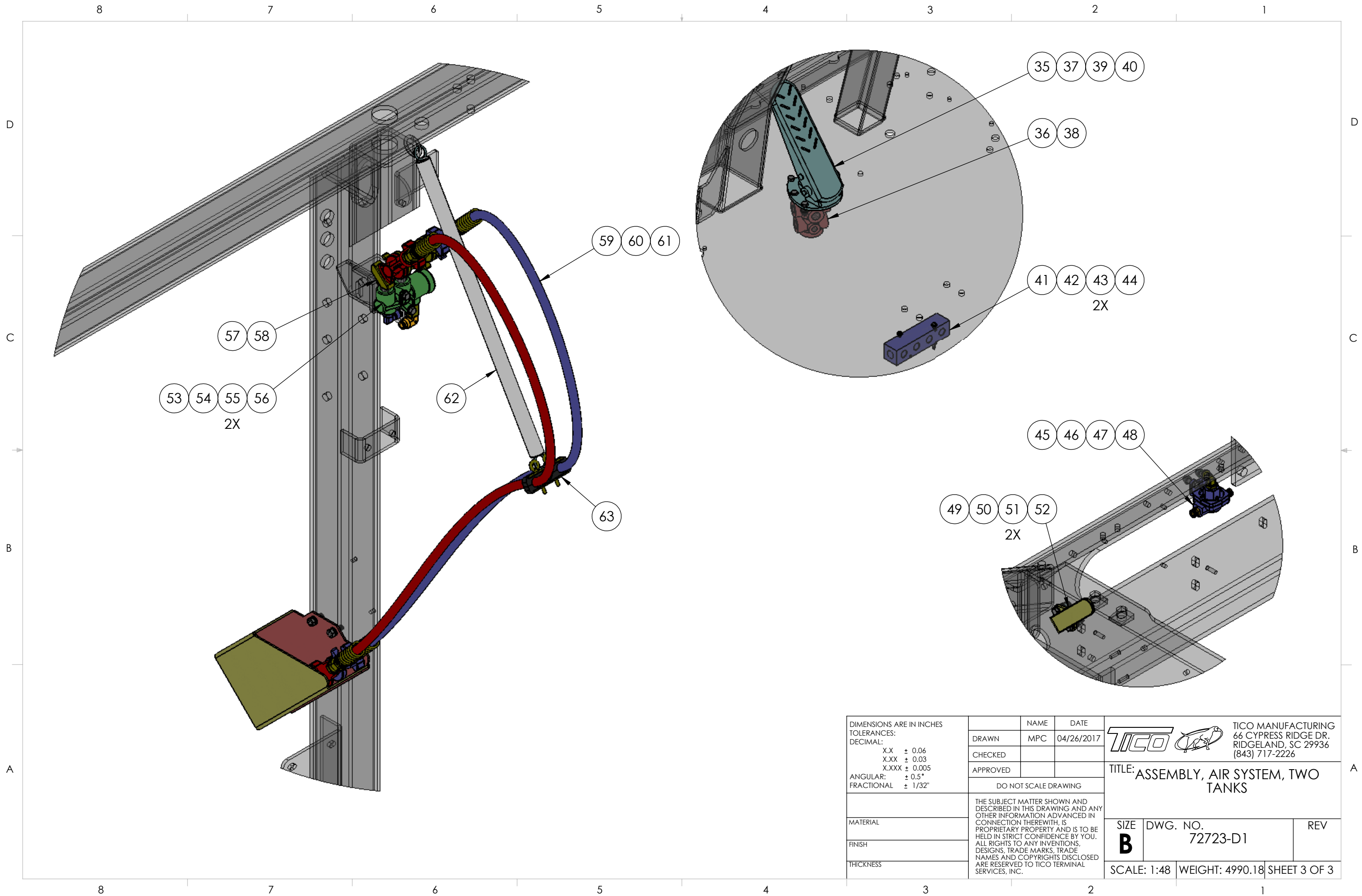
D  
C  
B  
A

D  
C  
B  
A



DIMENSIONS ARE IN INCHES TOLERANCES: DECIMAL: X.X ± 0.06 X.XX ± 0.03 X.XXX ± 0.005 ANGULAR: ± 0.5° FRACTIONAL ± 1/32"	NAME	DATE	 TICO MANUFACTURING 66 CYPRESS RIDGE DR. RIDGELAND, SC 29936 (843) 717-2226	
	DRAWN	MPC		04/26/2017
	CHECKED			
	APPROVED			
DO NOT SCALE DRAWING			TITLE: ASSEMBLY, AIR SYSTEM, TWO TANKS	
MATERIAL	THE SUBJECT MATTER SHOWN AND DESCRIBED IN THIS DRAWING AND ANY OTHER INFORMATION ADVANCED IN CONNECTION THEREWITH, IS PROPRIETARY PROPERTY AND IS TO BE HELD IN STRICT CONFIDENCE BY YOU. ALL RIGHTS TO ANY INVENTIONS, DESIGNS, TRADE MARKS, TRADE NAMES AND COPYRIGHTS DISCLOSED ARE RESERVED TO TICO TERMINAL SERVICES, INC.		SIZE	
FINISH			DWG. NO.	
THICKNESS			REV	
			SCALE: 1:48	
			WEIGHT: 4990.18	
			SHEET 2 OF 3	

8 7 6 5 4 3 2 1



DIMENSIONS ARE IN INCHES  
 TOLERANCES:  
 DECIMAL:  
 X.X ± 0.06  
 X.XX ± 0.03  
 X.XXX ± 0.005  
 ANGULAR: ± 0.5°  
 FRACTIONAL ± 1/32"

MATERIAL	
FINISH	
THICKNESS	

NAME	DATE
DRAWN MPC	04/26/2017
CHECKED	
APPROVED	
DO NOT SCALE DRAWING	
THE SUBJECT MATTER SHOWN AND DESCRIBED IN THIS DRAWING AND ANY OTHER INFORMATION ADVANCED IN CONNECTION THEREWITH, IS PROPRIETARY PROPERTY AND IS TO BE HELD IN STRICT CONFIDENCE BY YOU. ALL RIGHTS TO ANY INVENTIONS, DESIGNS, TRADE MARKS, TRADE NAMES AND COPYRIGHTS DISCLOSED ARE RESERVED TO TICO TERMINAL SERVICES, INC.	



TICO MANUFACTURING  
 66 CYPRESS RIDGE DR.  
 RIDGELAND, SC 29936  
 (843) 717-2226

TITLE: ASSEMBLY, AIR SYSTEM, TWO TANKS

SIZE	DWG. NO.	REV
<b>B</b>	72723-D1	

SCALE: 1:48 WEIGHT: 4990.18 SHEET 3 OF 3







TICO PRO-SPOTTER				
			ASSEMBLY, AIR SYSTEM, TWO TANK	72723
ITEM	PART #	QTY/M	DESCRIPTION	
57	50224	1	GLADHAND, BLUE, CAST IRON	
58	50225	1	GLADHAND, RED, CAST IRON	
59	50038-1	2	GLADHAND, BLUE, ALUMINIUM	
60	50039-1	2	GLADHAND, RED, ALUMINIUM	
61	50303	2	ASSEMBLY, HOSE, TRAILER, AIR, 3/8 ID X 15 FT	
62	10356	1	SPRING	
63	40080	1	CLAMP, TRAILER HOSE	
NOT SHOWN	40799	2	FITTING, CLOSE NIPPLE, BRASS, 1/2 NPT	
NOT SHOWN	40899	2	FITTING, ELBOW, STREET, 45°, BRASS, 1/2 NPT X 1/2 MNPT	
NOT SHOWN	91818	4	GROMMET, RUBBER SEAL, GLADHAND	
NOT SHOWN	91272	1	SWITCH, PRESSURE, LOW AIR WARNING	
NOT SHOWN	91271	1	BUZZER, LOW AIR WARNING, 75-95 Db	
NOT SHOWN	42298	1	FITTING, TEE, FEMALE BRANCH, BRASS, 1/4 TUBE X 1/4 NPT	
NOT SHOWN	40829	2	BULKHEAD, 1/4"	
NOT SHOWN	40827	4	BULKHEAD, 3/8"	
NOT SHOWN	42088	2	BULKHEAD, 1/2"	
NOT SHOWN	40985	1	FITTING, TEE, BRANCH, BRASS, 3/8 TUBE X 1/4 NPT	
NOT SHOWN	42121	1	FITTING, TEE, BRANCH, BRASS, 3/8 TUBE X 3/8 NPT	
NOT SHOWN	40823	4	FITTING, ELBOW, 90°, BRASS, 3/8 TUBE X 3/8 NPT	
NOT SHOWN	42063	1	FITTING, ELBOW, 90°, BRASS, 3/8 TUBE X 1/4 NPT	
NOT SHOWN	42064	4	FITTING, ELBOW, 90°, BRASS, 1/2 TUBE X 1/2 NPT	
NOT SHOWN	40878	2	FITTING, ELBOW, 90°, BRASS, 5/8 TUBE X 1/2 NPT	
NOT SHOWN	11027	20 FT	TUBING, NYLON, AIR BRAKE, 1/4 (GREEN)	
NOT SHOWN	11000	20 FT	TUBING, NYLON, AIR BRAKE, 1/4 (YELLOW)	
NOT SHOWN	11020	20 FT	TUBING, NYLON, AIR BRAKE, 1/4 (WHITE)	
NOT SHOWN	11021	20 FT	TUBING, NYLON, AIR BRAKE, 1/4 (BLUE)	
NOT SHOWN	11003	20 FT	TUBING, NYLON, AIR BRAKE, 1/4 (BLACK)	
NOT SHOWN	11007	20 FT	TUBING, NYLON, AIR BRAKE, 3/8 (RED)	
NOT SHOWN	11001	20 FT	TUBING, NYLON, AIR BRAKE, 3/8 (BLUE)	
NOT SHOWN	11023	20 FT	TUBING, NYLON, AIR BRAKE, 3/8 (GREEN)	
NOT SHOWN	11026	20 FT	TUBING, NYLON, AIR BRAKE, 3/8 (ORANGE)	
NOT SHOWN	11004	20 FT	TUBING, NYLON, AIR BRAKE, 3/8 (BLACK)	
NOT SHOWN	11013	20 FT	TUBING, NYLON, AIR BRAKE, 3/8 (YELLOW)	
NOT SHOWN	11005	20 FT	TUBING, NYLON, AIR BRAKE, 1/2 (BLACK)	
NOT SHOWN	11009	20 FT	TUBING, NYLON, AIR BRAKE, 1/2 (BLUE)	
NOT SHOWN	11002	20 FT	TUBING, NYLON, AIR BRAKE, 1/2 (RED)	
NOT SHOWN	11014	20 FT	TUBING, NYLON, AIR BRAKE, 1/2 (YELLOW)	
NOT SHOWN	11025	20 FT	TUBING, NYLON, AIR BRAKE, 5/8 (BLACK)	
NOT SHOWN	11024	20 FT	TUBING, NYLON, AIR BRAKE, 5/8 (GREEN)	
<b>REV</b>	<b>DATE</b>	<b>BY</b>		<b>SHEET</b>
D	04/26/2017	MPC		4 OF 4
<b>TICO MANUFACTURING - RIDGELAND, SC 29936</b>				