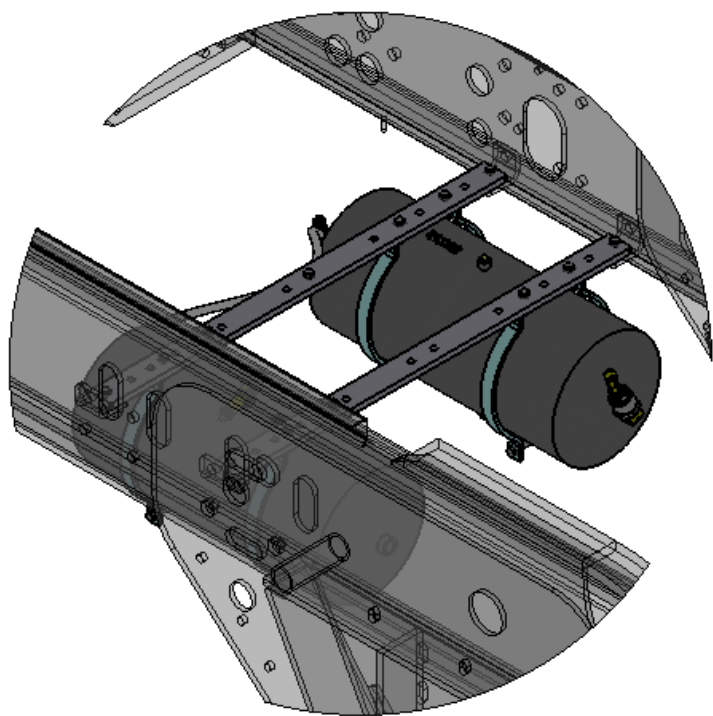
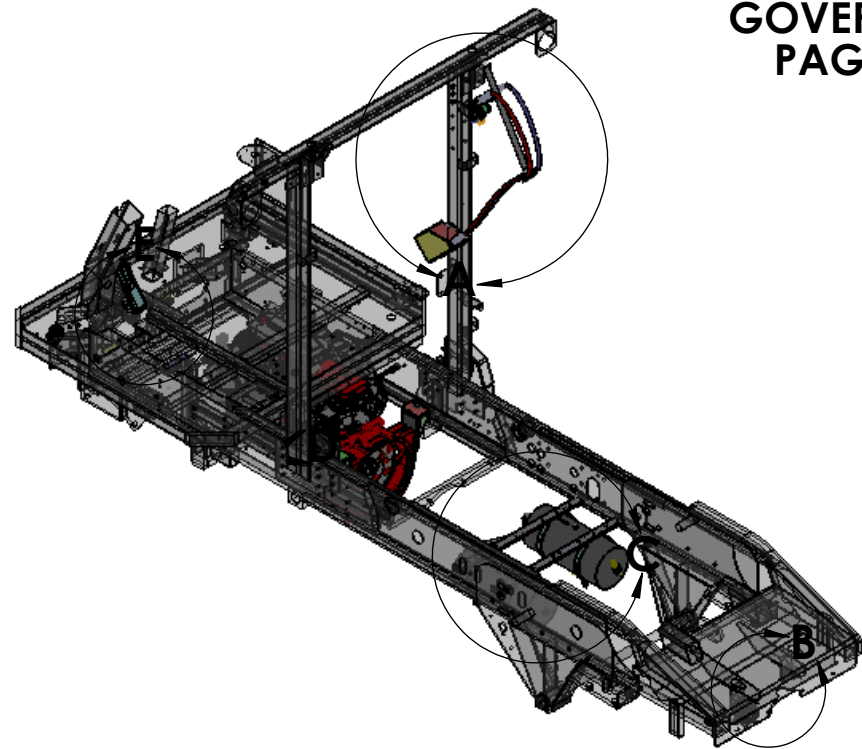


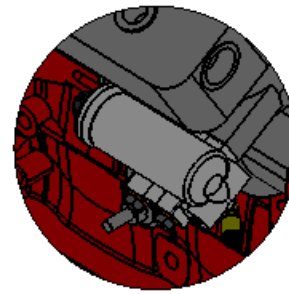
**BRAKE PEDAL & VALVES
PAGE 3**



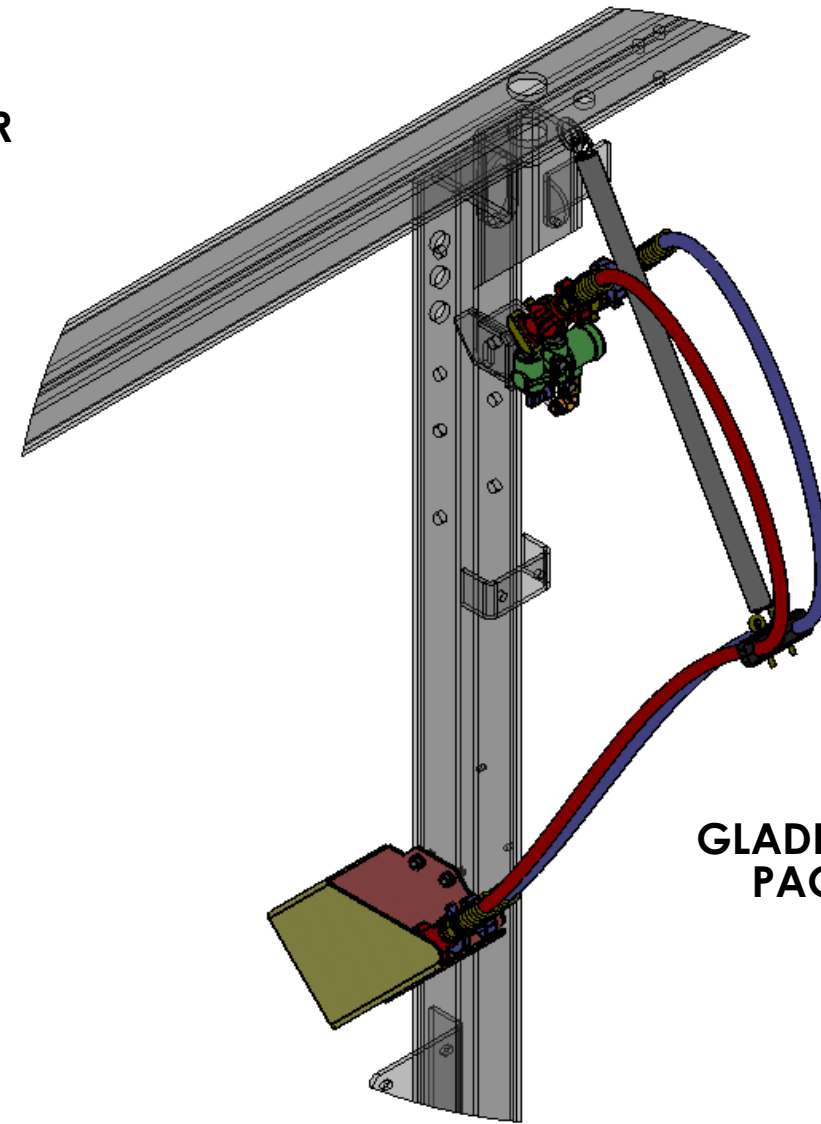
**AIR TANKS
PAGE 2**



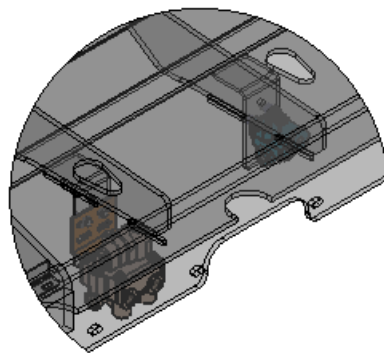
**BOBTAIL & BRAKE VALVE
PAGE 2**




**GOVERNOR
PAGE 2**



**GLADHANDS
PAGE 3**

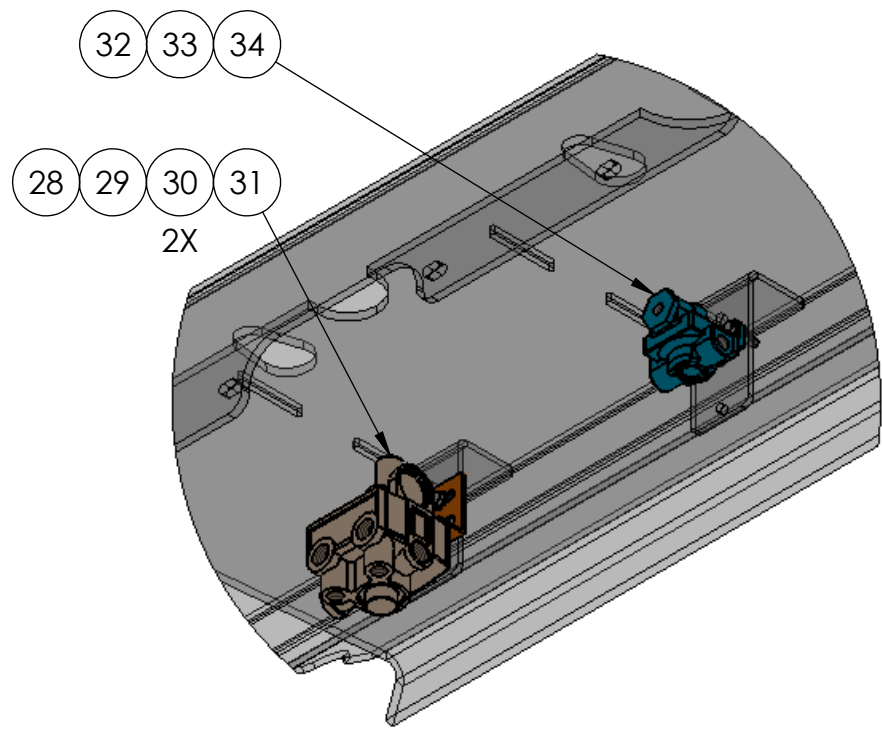
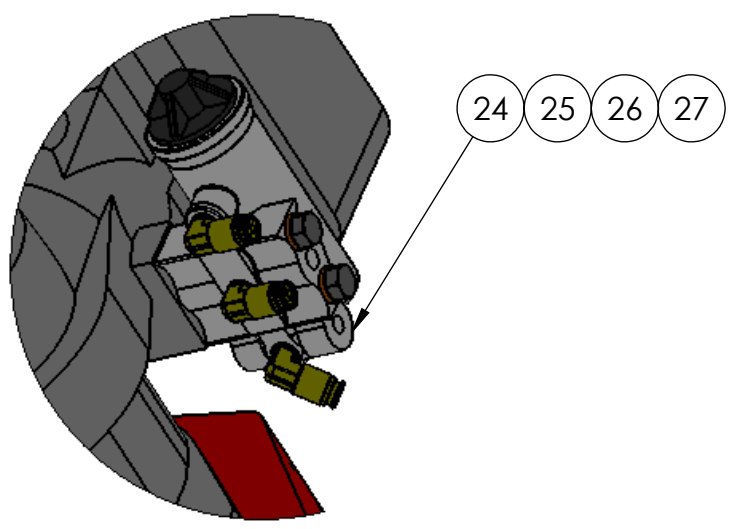
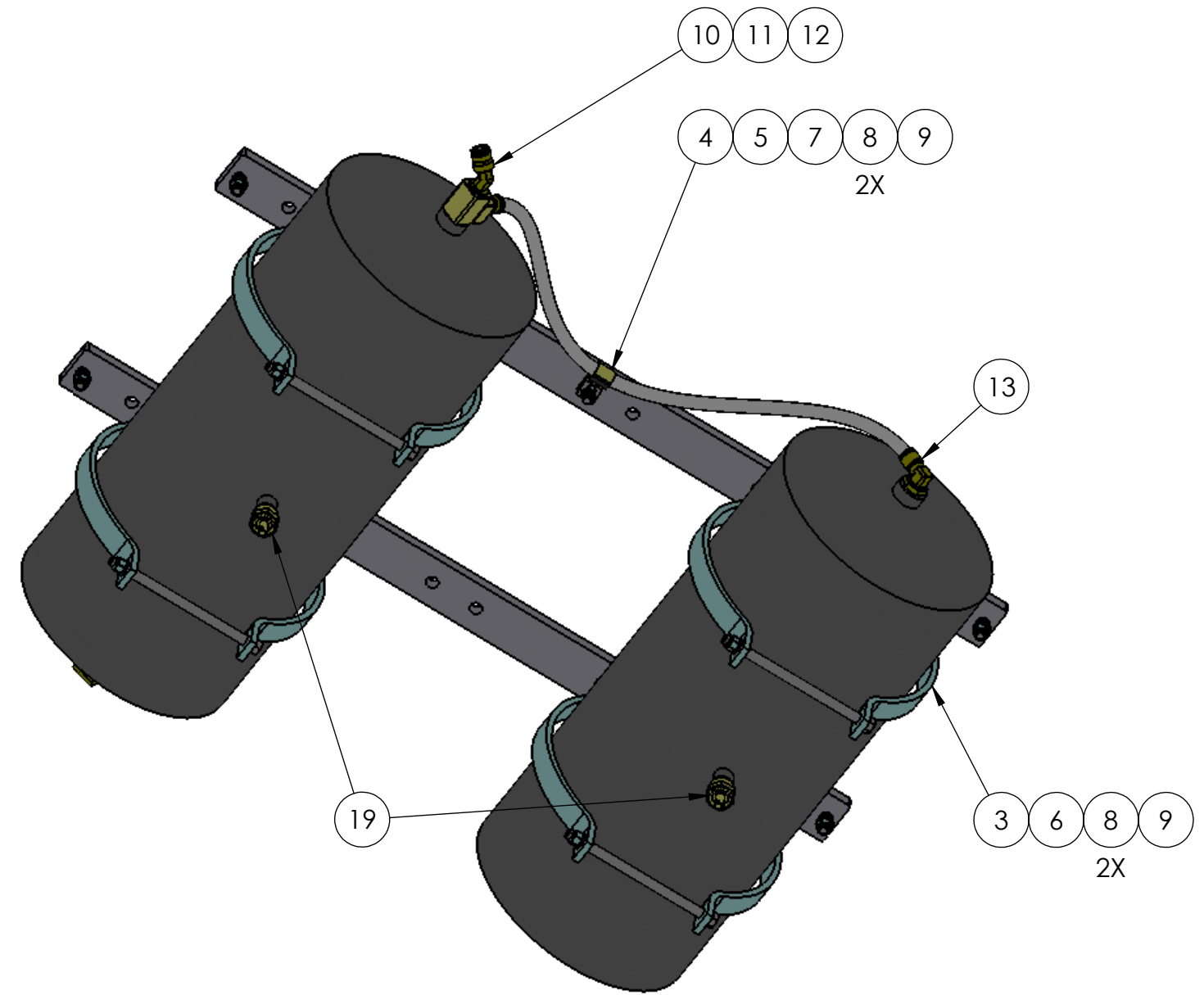
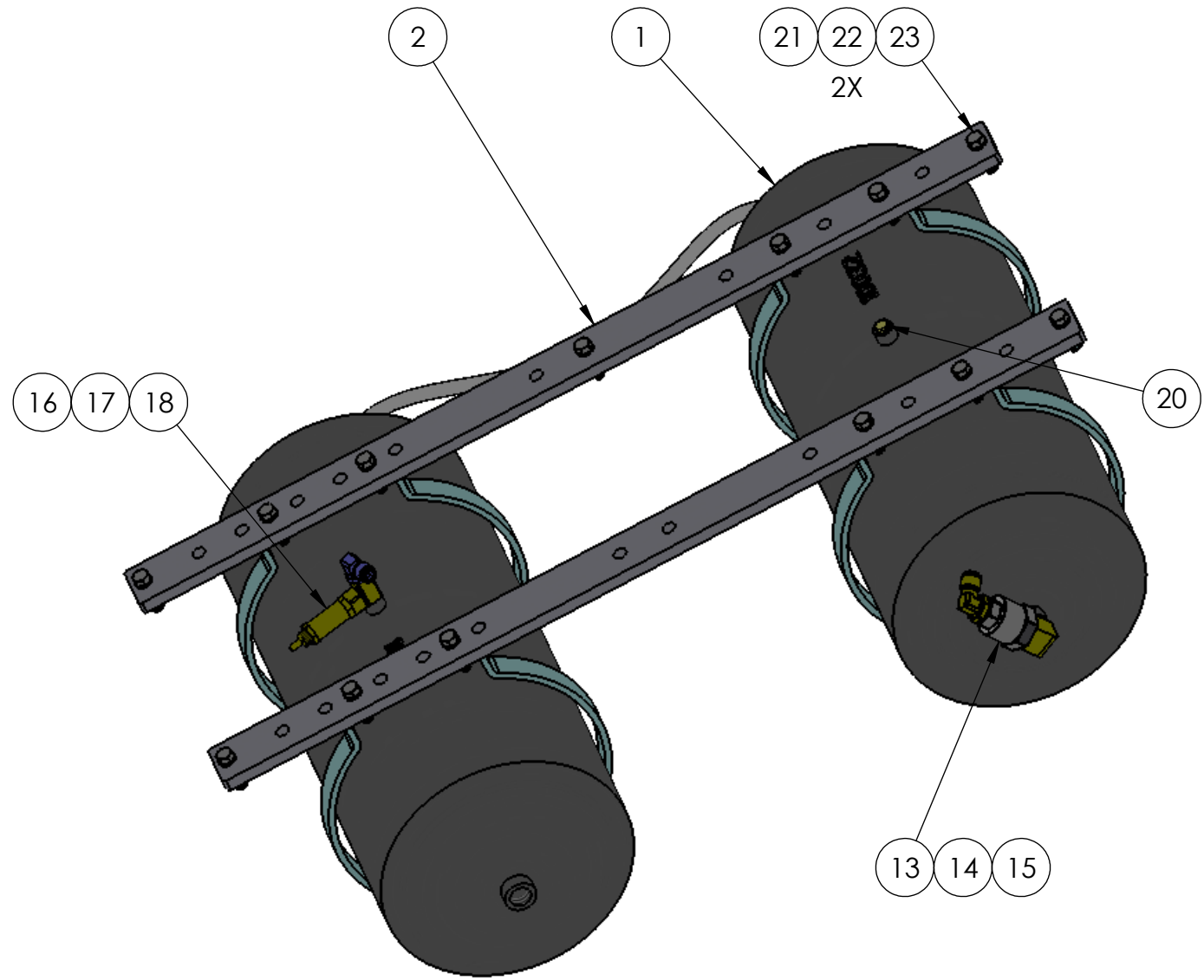


DIMENSIONS ARE IN INCHES		NAME	DATE	 TICO MANUFACTURING 66 CYPRESS RIDGE DR. RIDGELAND, SC 29936 (843) 717-2226
TOLERANCES:		DRAWN	MPC 04/26/2017	
DECIMAL:		CHECKED		
X.X ± 0.06 X.XX ± 0.03 X.XXX ± 0.005		APPROVED		
ANGULAR:		DO NOT SCALE DRAWING		TITLE: ASSEMBLY, AIR SYSTEM, TWO TANKS
FRACTIONAL ± 1/32"		THE SUBJECT MATTER SHOWN AND DESCRIBED IN THIS DRAWING AND ANY OTHER INFORMATION ADVANCED IN CONNECTION THEREWITH, IS PROPRIETARY PROPERTY AND IS TO BE HELD IN STRICT CONFIDENCE BY YOU. ALL RIGHTS TO ANY INVENTIONS, DESIGNS, TRADE MARKS, TRADE NAMES AND COPYRIGHTS DISCLOSED ARE RESERVED TO TICO TERMINAL SERVICES, INC.		SIZE B
MATERIAL	FINISH	THICKNESS		DWG. NO. 72706-A1
			SCALE: 1:48	WEIGHT: 4990.18
			SHEET 1 OF 3	


8 7 6 5 4 3 2 1

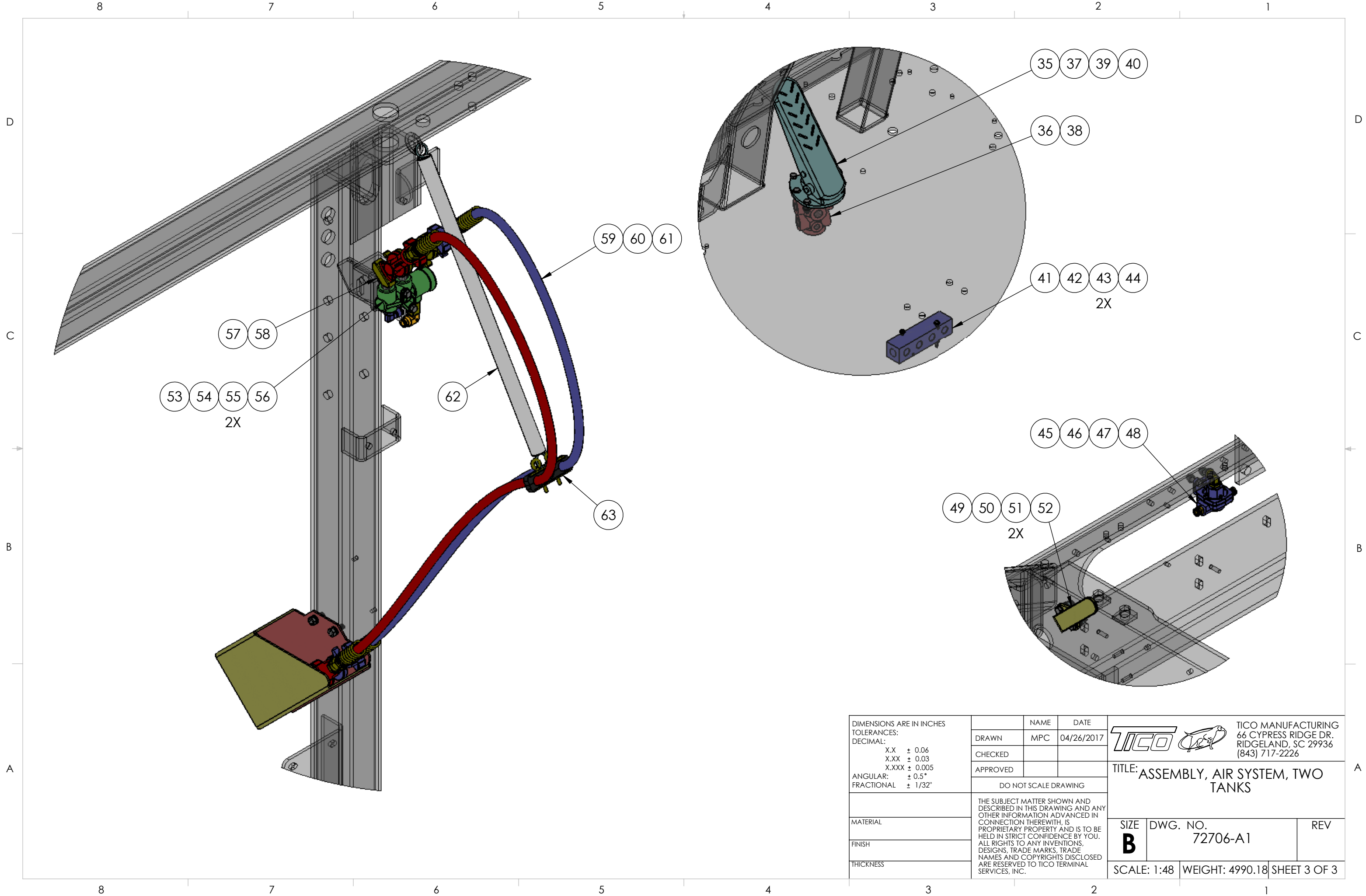
D
C
B
A

D
C
B
A



8 7 6 5 4 3 2 1

DIMENSIONS ARE IN INCHES TOLERANCES: DECIMAL: X.X ± 0.06 X.XX ± 0.03 X.XXX ± 0.005 ANGULAR: ± 0.5° FRACTIONAL ± 1/32"	NAME	DATE	 TICO MANUFACTURING 66 CYPRESS RIDGE DR. RIDGELAND, SC 29936 (843) 717-2226	
	DRAWN	MPC		04/26/2017
	CHECKED			
	APPROVED			
DO NOT SCALE DRAWING			TITLE: ASSEMBLY, AIR SYSTEM, TWO TANKS	
MATERIAL	THE SUBJECT MATTER SHOWN AND DESCRIBED IN THIS DRAWING AND ANY OTHER INFORMATION ADVANCED IN CONNECTION THEREWITH, IS PROPRIETARY PROPERTY AND IS TO BE HELD IN STRICT CONFIDENCE BY YOU. ALL RIGHTS TO ANY INVENTIONS, DESIGNS, TRADE MARKS, TRADE NAMES AND COPYRIGHTS DISCLOSED ARE RESERVED TO TICO TERMINAL SERVICES, INC.		SIZE	
FINISH			DWG. NO.	
THICKNESS			REV	
			SCALE: 1:48	
			WEIGHT: 4990.18	
			SHEET 2 OF 3	



DIMENSIONS ARE IN INCHES
 TOLERANCES:
 DECIMAL:
 X.X ± 0.06
 X.XX ± 0.03
 X.XXX ± 0.005
 ANGULAR: ± 0.5°
 FRACTIONAL ± 1/32"

MATERIAL	
FINISH	
THICKNESS	

NAME	DATE
DRAWN MPC	04/26/2017
CHECKED	
APPROVED	
DO NOT SCALE DRAWING	
THE SUBJECT MATTER SHOWN AND DESCRIBED IN THIS DRAWING AND ANY OTHER INFORMATION ADVANCED IN CONNECTION THEREWITH, IS PROPRIETARY PROPERTY AND IS TO BE HELD IN STRICT CONFIDENCE BY YOU. ALL RIGHTS TO ANY INVENTIONS, DESIGNS, TRADE MARKS, TRADE NAMES AND COPYRIGHTS DISCLOSED ARE RESERVED TO TICO TERMINAL SERVICES, INC.	



TICO MANUFACTURING
 66 CYPRESS RIDGE DR.
 RIDGELAND, SC 29936
 (843) 717-2226

TITLE: ASSEMBLY, AIR SYSTEM, TWO TANKS

SIZE	DWG. NO.	REV
B	72706-A1	

SCALE: 1:48 WEIGHT: 4990.18 SHEET 3 OF 3

TICO PRO-SPOTTER

AIR SYSTEM-2015, OFF ROAD, STD TWO TANK, R-14, QR-1, COILS, NO FRAME DRAIN VALVE

72706

ITEM	PART #	QTY/M	DESCRIPTION	
	71236A	REF	AIR SYSTEM INSTALLATION	
	61839	REF	SCHEMATIC-STANDARD 61839	
	90295-1	1	FITTING, ELBOW 90° BRASS, 1/4 TUBE, 1/4NPT	
	90295-2	1	FITTING, STR BRASS, 1/4 TUBE X 1/4 NPT	
	90094	REF	TRAILER BRAKE PP1	
	90095	REF	TRACTOR BRAKE PP3	
		REF	NOTE: SET AIR GOVERNOR AT 120 PSI	
	42087	1	ASSEMBLY, AIR TANK, TWO TANKS	
1	10032	2	RESERVOIR, AIR-10	
2	12357	2	SUPPORT BAR, AIR TANK	
3	40393-1	8	BRACKET- AIR RESERVOIR MOUNT	
4	41076	1	TUBE, 1/2x 20" Lg	
5	40826	1	CLAMP, LOOM 1/2"	
6	82603	4	BOLT, HEX 3/8-16 X 6 1/2 Lg	
7	82394	9	BOLT, HEX 3/8-16 X 1 1/2 Lg	
8	85102	26	WASHER, 3/8	
9	85025	13	LOCKNUT, NYLOCK 3/8-16	
10	40848	1	TEE, BRASS STREET 1/2 NPT	
11	40832	1	PUSH CONNECT, BRASS STR 1/2 MPT to 1/2 TUBE	
12	40822	1	PUSH CONNECT, 45 Deg 1/2 MPT x 1/2 TUBE	
13	42064	2	PUSH CONNECT, 90 Deg 1/2 MPT to 1/2 TUBE	
14	40029-1	1	VALVE CHECK AIRTANK (NEWSTYLE)	
15	40817	1	ELBOW, 90 Deg STREET 1/2 NPT TO 1/2 FPT	
16	40900	1	TEE, BRASS STREET - 1/4 NPT	
17	40022	1	VALVE, AIR PRESSURE RELEASE	
18	42063	1	FITTING, ELBOW 90°, BRASS 3/8 TUBE X 1/4 NPT	
19	40148	1	VALVE AIR TANK DRAIN	
20	40824	1	PLUG, HEX HD 1/4" NPT	
21	82394	4	BOLT, HEX 3/8-16x 1 1/2 Lg	
22	85102	8	WASHER, FLAT 3/8	
23	85025	4	LOCKNUT 3/8-16 NYLOK	
24	60023	1	GOVERNOR-D2 W/GASKET & 3 PLUGS	
25	40857	3	FITTING, ELBOW 90°, BRASS 1/4 TUBE X 1/8 NPT	
26	80308	2	CAPSCREW-M8 X 1.25 X 70 LG	
27	85134	2	L'WASHER-5/16	
REV	DATE	BY		SHEET
A	06/24/2020	AGW		1 OF 4

