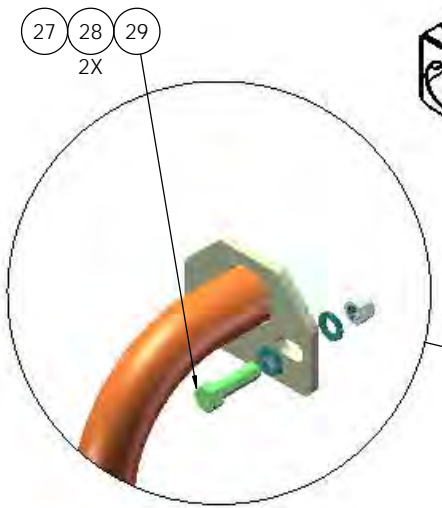
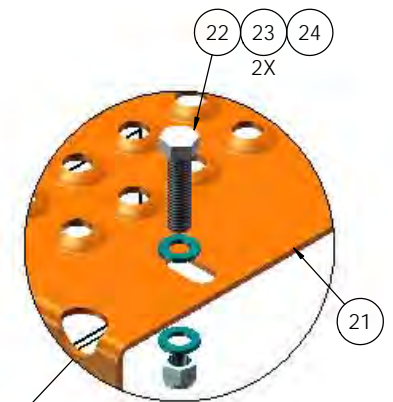


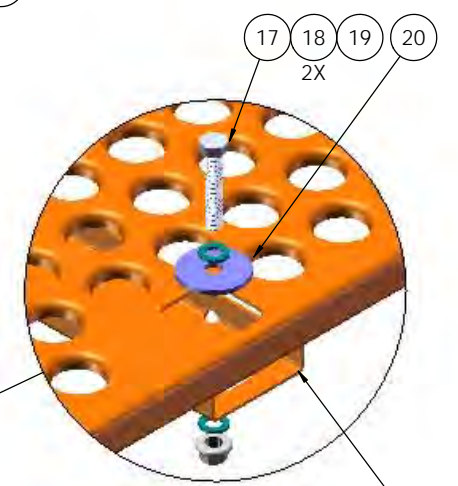
DETAIL E  
SCALE 1 : 2  
2X



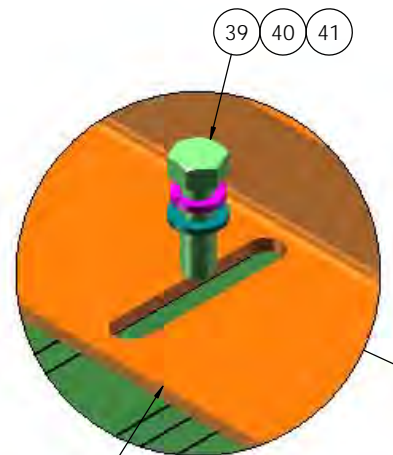
DETAIL D  
SCALE 1 : 2  
2X



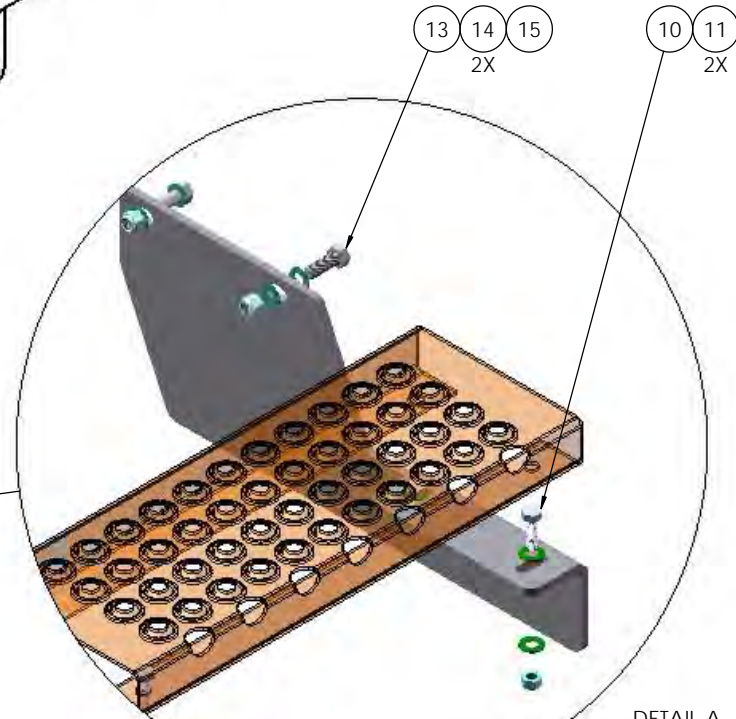
DETAIL C  
SCALE 1 : 1.5



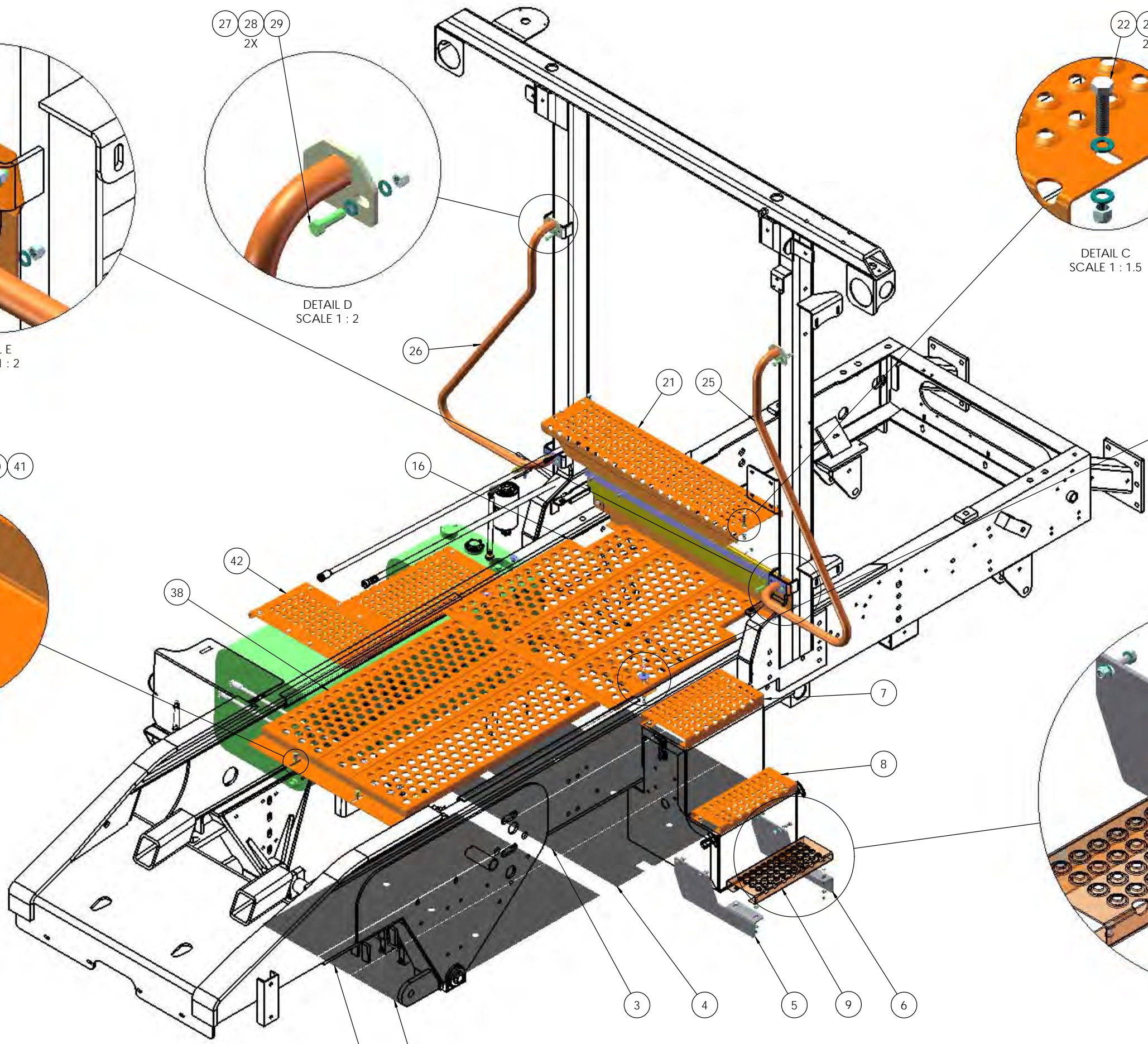
DETAIL B  
SCALE 1 : 2



DETAIL F  
SCALE 1 : 1



DETAIL A  
SCALE 1 : 2.5



DIMENSIONS ARE IN INCHES TOLERANCES: DECIMAL XX ± 0.06 XXX ± 0.03 XXXX ± 0.005 ANGULAR ± 0.5° FRACTIONAL ± 1/32"		NAME DATE DFM 01/15/2016 MPC 05/31/2016 PW 06/20/2016		TICO/TERRINAL SERVICE 40 CYPRESS RIDGE DR. RIDGELAND, SC 29936 (843) 717-2226	
INTERPRET GEOMETRIC TOLERANCING PER: ASME Y14.5M-1994		DO NOT SCALE DRAWING		TITLE: ASSEMBLY, COVERS & GRATINGS	
FINISH		MATERIAL		SIZE DWG. NO. REV	
THICKNESS		THE SUBJECT MATTER SHOWN AND DESCRIBED IN THIS DRAWING AND ANY OTHER INFORMATION ADVANCED IN CONNECTION THEREWITH IS PROPRIETARY PROPERTY AND IS TO BE HELD IN STRICT CONFIDENCE BY YOU. ALL RIGHTS TO ANY INVENTIONS, DESIGNS, TRADE MARKS, TRADE NAMES AND COPYRIGHTS DISCLOSED ARE RESERVED TO TICO/TERRINAL SERVICES, INC.		D 72673-B1	
				SHEET 1 OF 1	



