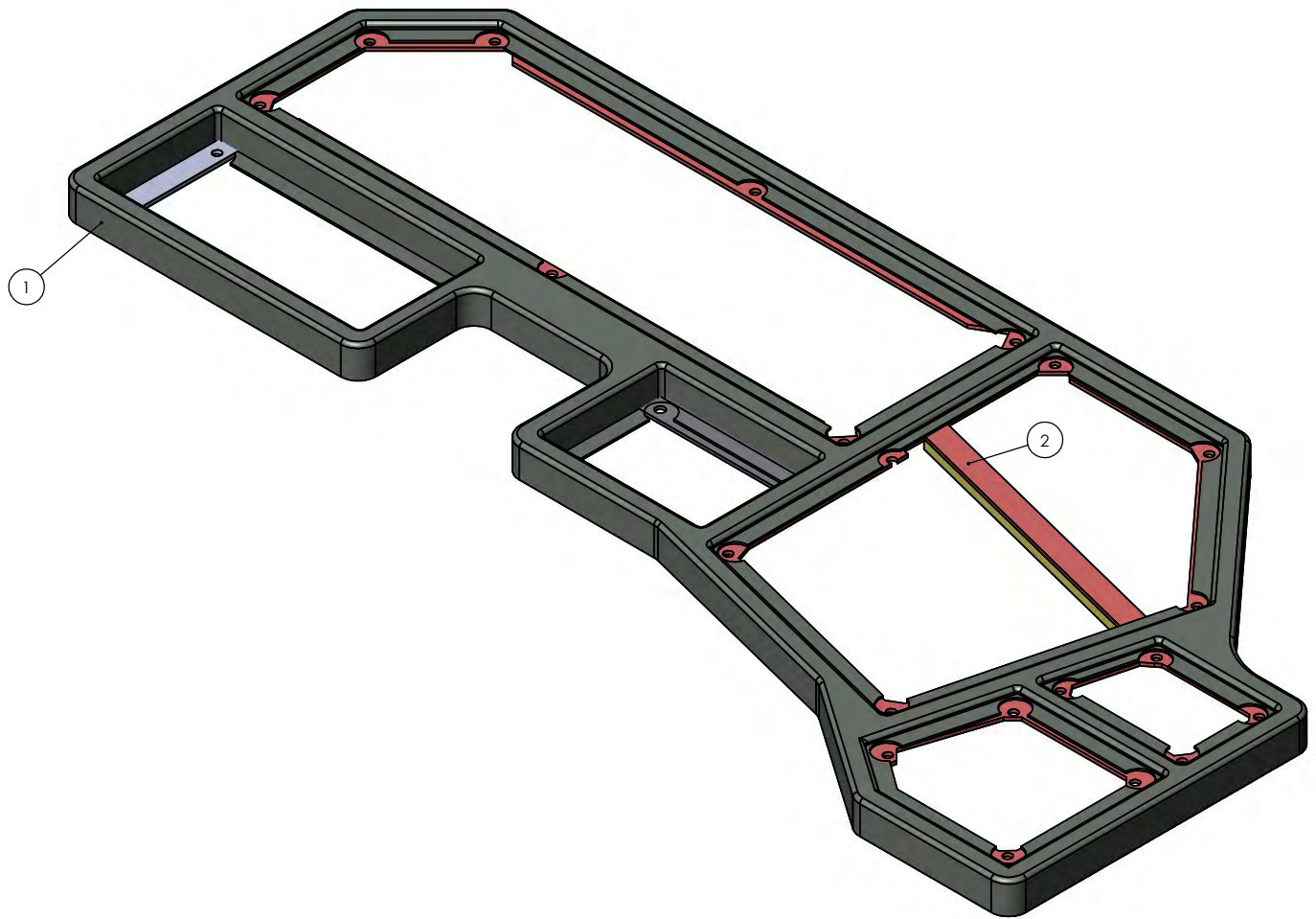


DIMENSIONS ARE IN INCHES		NAME	DATE	TICO MANUFACTURING 44 CYPRESS RIDGE DR. ROSELAND, NC 27068 (843) 717-2226
TOLERANCES:	DECIMAL	DRAWN	ADW	
	.XX & .00	CHECKED		
	.XXX & .003	APPROVED		
	.XXX & .005	DO NOT SCALE DRAWING		
	FRACTIONAL	THE SUBJECT MATTER SHOWN AND DESCRIBED IN THIS DRAWING AND ANY OTHER REPRESENTATION, INCLUDING CONSTRUCTION INSTRUMENTS, IS TO BE CONSIDERED A CONTRACT DOCUMENT AND SHALL BE BINDING ON ALL PARTIES TO WHICH IT APPLIES. NO CONTRACTOR SHALL BE RESPONSIBLE FOR ANY OMISSIONS, ERRORS, OR CONFLICTS. THE USER HEREOF SHALL BE RESPONSIBLE FOR VERIFYING THE ACCURACY OF ALL DIMENSIONS AND SPECIFICATIONS BEFORE USE.		
UNITS	N/A	SIZE	DWG. NO.	REV
SCALE	1:1	SCALE	1:1	72649-A1
SEE NOTE		WEIGHT	19.69	SHEET 1 OF 1
REVISIONS	N/A			

D 72649-A1



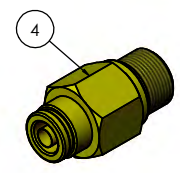
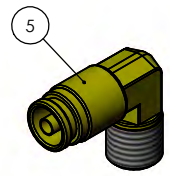
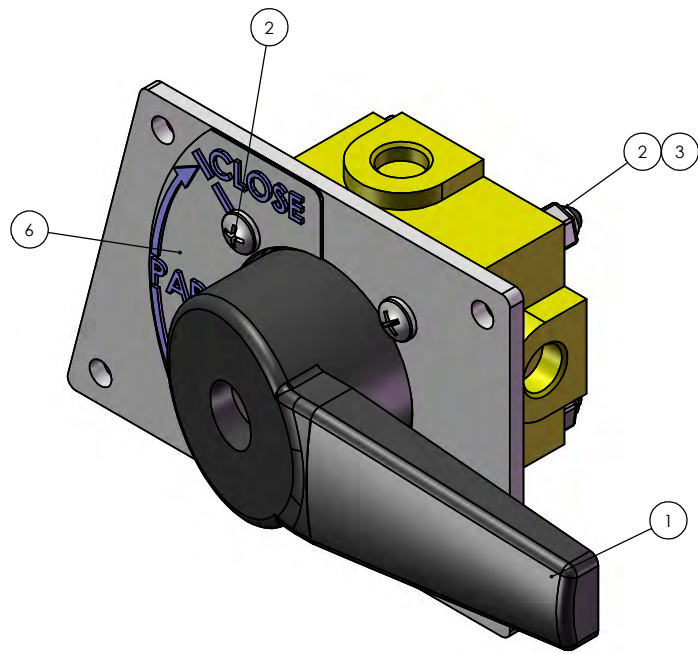


DIMENSIONS ARE IN INCHES		NAME	DATE	TICO MANUFACTURING	
TOLERANCES:		DRAWN	ADW	06/22/2020	44 CYPRESS RIDGE DR.
DECIMAL	.XX	CHECKED			ROCKLAND, NC 29154
	.XXX	APPROVED			TICORACTORS.COM
	.XXX & UP				
FRACTIONAL	1/16	DO NOT SCALE DRAWING			
	1/32	THE SUBJECT MATTER SHOWN AND			
	1/64	DESCRIBED IN THIS DRAWING AND ANY			
	3/16	OTHER REFERENCE IS INDICATED IN			
	1/2	CONNECTIONS BETWEEN PARTS TO BE			
	3/4	MATED TO THE DIMENSIONS OF THE			
	1	ORIGINAL UNLESS OTHERWISE SPECIFIED.			
	1 1/4	ALL RIGHTS TO ANY INVENTIONS			
	1 1/2	HEREIN, INCLUDING PATENT RIGHTS,			
	1 3/4	ARE RESERVED BY TICO MANUFACTURING			
	2	OR ITS AFFILIATES.			
	2 1/4				
	2 1/2				
	2 3/4				
	3				
	3 1/4				
	3 1/2				
	3 3/4				
	4				
	4 1/4				
	4 1/2				
	4 3/4				
	5				
	5 1/4				
	5 1/2				
	5 3/4				
	6				
	6 1/4				
	6 1/2				
	6 3/4				
	7				
	7 1/4				
	7 1/2				
	7 3/4				
	8				
	A				
	B				
	C				
	D				
	E				
	F				

**TICO**  
 TITLE: DASH COVER ASSEMBLY ISB  
 10  
 SIZE DWG. NO. 72649-A1 REV  
**D** SCALE: 1:4 WEIGHT: 7.29 SHEET 1 OF 1

D 72649-A1 10/1

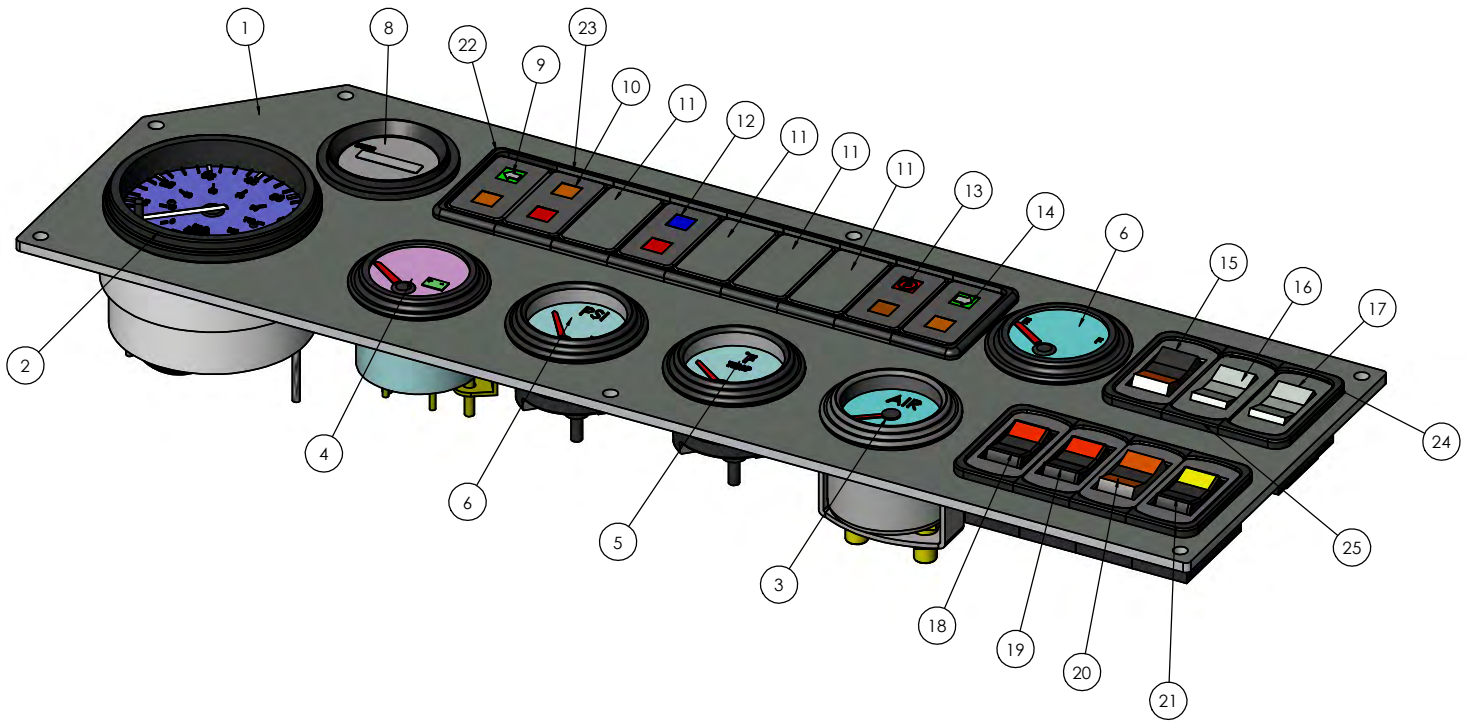




DIMENSIONS ARE IN INCHES		NAME	DATE	TICO MANUFACTURING
TOLERANCES:		DRAWN	ADW	06/22/2020
DECIMAL	± .005	CHECKED		44 CYPRESS ROUGE DR.
FRACTIONAL	± .005	APPROVED		ROCKLAND, SC 29574
ANGULAR	± 0.1°			TICORACTORS.COM
FUNCTIONAL	± .010	DO NOT SCALE DRAWING		
INSURE GEOMETRIC TOLERANCING PER ASME Y14.5M				
THE SUBJECT MATTER SHOWN AND DESCRIBED IN THIS DRAWING AND ANY OTHER INFORMATION CONTAINED IN CONNECTION HEREWITH IS TO BE CONSIDERED THE PROPERTY OF TICO MANUFACTURING AND IS TO BE KEPT IN CONFIDENCE BY ALL PARTS TO WHOM IT IS FURNISHED. NO INFORMATION IS TO BE RELEASED OR DISCLOSED WITHOUT THE WRITTEN CONSENT OF TICO MANUFACTURING, INC.				
DATE		SIZE	DWG. NO.	REV
		D	72591-A1	
ISSUES		SCALE: 1:1	WEIGHT:	SHEET 1 OF 1

D 72591-A1

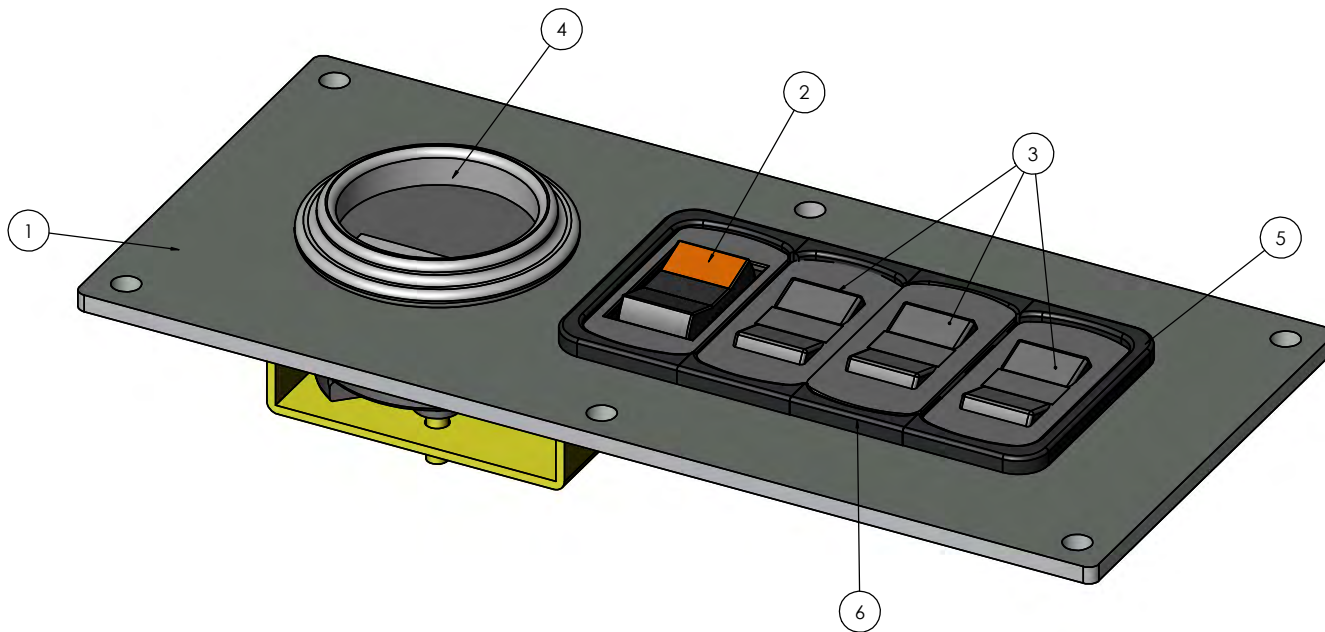




DIMENSIONS ARE IN INCHES		NAME	DATE	TICO MANUFACTURING
TOLERANCES:		DRAWN	ADW	06/09/2020
DECIMAL	± .005	CHECKED		44 CYPRESS RIDGE DR.
ANGULAR	± .1°	APPROVED		ROCKLAND, SC 29574
FRACTIONAL	± .005	DO NOT SCALE DRAWING		TICORACTORS.COM
INSURE GEOMETRIC TOLERANCING PER ASME Y14.5M-2014		THE SUBJECT MATTER SHOWN AND DESCRIBED IN THIS DRAWING AND ANY OTHER INFORMATION CONTAINED HEREIN IS THE PROPERTY OF TICO MANUFACTURING AND IS TO BE USED ONLY FOR THE PURPOSES SPECIFIED HEREIN. ALL RIGHTS TO ANY PATENTS, TRADEMARKS, AND/OR OTHER INTELLECTUAL PROPERTY ARE RESERVED BY TICO MANUFACTURING.		
DATE	REV	SIZE	DWG. NO.	REV
		D	72649-A1	
SCALE: 1:2		WEIGHT: 3.95		SHEET 1 OF 1

D 72649-A1

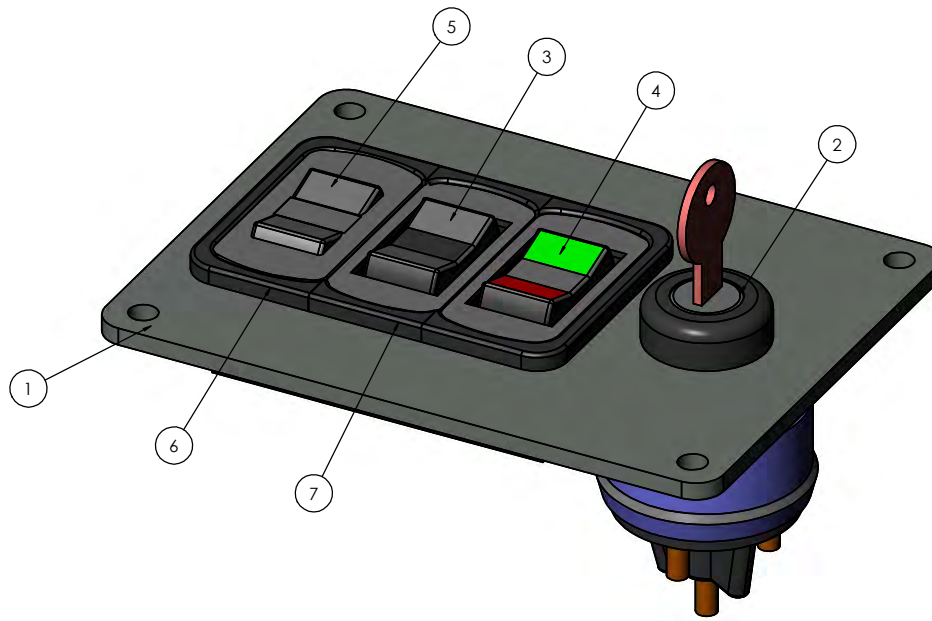




DIMENSIONS ARE IN INCHES		NAME	DATE	TICO MANUFACTURING
TOLERANCES:		DRAWN	ADW	66 CYPRESS RIDGE DR.
DECIMAL	.0005	CHECKED		ROCKLAND, NC 29154
FRACTIONAL	1/16	APPROVED		TICORFACTORS.COM
ANGULAR	± 0.1°	DO NOT SCALE DRAWING		
INSPECTOR DOCUMENT COLORWORKING FOR NAME & DATE ONLY				
THE SUBJECT MATTER SHOWN AND DESCRIBED IN THIS DRAWING AND ANY OTHER INFORMATION CONTAINED HEREIN IS THE PROPERTY OF TICO MANUFACTURING AND IS TO BE USED ONLY FOR THE PURPOSES SPECIFIED HEREIN. NO OTHER REUSE OR REPRODUCTION IS PERMITTED WITHOUT THE WRITTEN CONSENT OF TICO MANUFACTURING.				
DATE		SIZE	DWG. NO.	REV
ISSUES		D	72649-A1	
		SCALE: 1:1	WEIGHT: 0.55	SHEET 1 OF 1

D 72649-A1

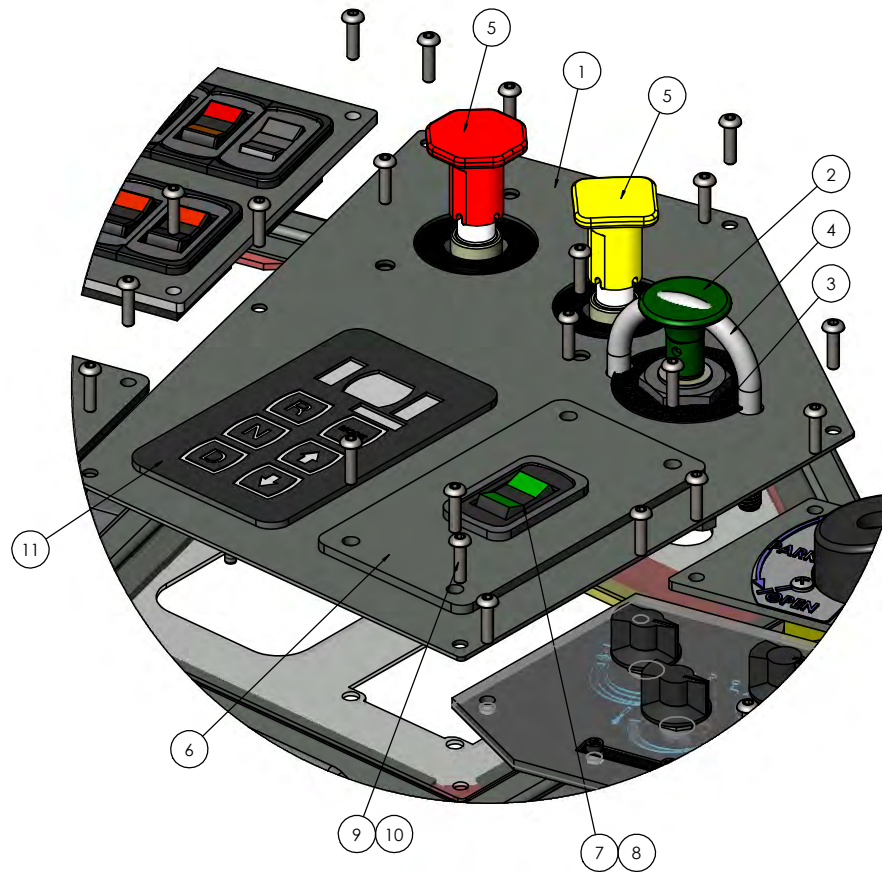




DIMENSIONS ARE IN INCHES		NAME	DATE	TICO MANUFACTURING
TOLERANCES:		DRAWN	ADW	06/22/2020
DECIMAL	.0005	CHECKED		66 CYPRESS RIDGE DR.
FRACTIONAL	1/16 & 3/32	APPROVED		ROCKLAND, NC 27854
ANGULAR	± 0.1°	DO NOT SCALE DRAWING		
FUNCTIONAL	± 0.002	THE SUBJECT MATTER SHOWN AND		
INSURE GEOMETRIC TOLERANCING		DESCRIBED IN THIS DRAWING AND ANY		
PER ASME Y14.5M-1994		OTHER REFERENCE IS UNLESS IN		
		CONNECTION OTHERWISE U.S.		
		DIMENSIONS UNLESS OTHERWISE		
		SPECIFIED TO APPLY THROUGHOUT		
		DRAWING UNLESS OTHERWISE		
		SPECIFIED AND OTHERWISE		
		SPECIFIED TO TICO MANUFACTURING		
		SERVICES, INC.		
TITLE: PANEL ASSY DASH KEY IGNITION SWITCH-5B10		SIZE	DWG. NO.	REV
		D	72649-A1	
		SCALE: 1:1	WEIGHT: 0.38	SHEET 1 OF 1

D 72649-A1





DIMENSIONS ARE IN INCHES		NAME	DATE	TICO MANUFACTURING
TOLERANCES:	DECIMAL	DRAWN	ADW	66 CYPRESS RIDGE DR.
	.005	CHECKED		ROCKLAND, SC 29574
	.010	APPROVED		TICORACTORS.COM
	.015			
	.030			
	.060			
	.125			
ANGULAR:	± 1.0°	DO NOT SCALE DRAWING		
FRACTIONAL:	± .005	THE SUBJECT MATTER SHOWN AND		
		DESCRIBED IN THIS DRAWING AND ANY		
		OTHER REFERENCE IS ADVANCED BY		
		CONTRACTOR HEREIN AND IS TO BE		
		CONSIDERED TO BE THE PROPERTY OF		
		TICO. THIS CONTRACTOR IS TO BE		
		BOUND BY THE TERMS AND CONDITIONS		
		HEREIN AND CONTRACTOR'S OBLIGATIONS		
		ARE DEEMED TO BE ACCEPTED BY SIGNATURE		
		HEREIN.		
TITLES		SIZE	DWG. NO.	REV
		D	72649-A1	
		SCALE: 1:4	WEIGHT: 18.03	SHEET 1 OF 1

D 72649-A1





DIMENSIONS ARE IN INCHES		NAME	DATE	TICO MANUFACTURING
TOLERANCES:		DRAWN	ADW	04/22/2020
DECIMAL	.005	CHECKED		44 CYPRESS RIDGE DR.
FRACTIONAL	1/32	APPROVED		ROCKLAND, NC 27854
ANGULAR	± 0.1°			TICORACTORS.COM
FUNCTIONAL	± 0.005			
DO NOT SCALE DRAWING		TITLE: HEATER CONTROL ASSEMBLY		
INSURE GEOMETRIC TOLERANCING PER ASME Y14.5M		THE SUBJECT MATTER SHOWN AND DESCRIBED IN THIS DRAWING AND ANY OTHER INFORMATION CONTAINED HEREIN IS THE PROPERTY OF TICO MANUFACTURING, INC. AND IS TO BE KEPT IN CONFIDENTIALITY. ALL RIGHTS TO ANY PATENTS, TRADEMARKS, AND/OR OTHER INTELLECTUAL PROPERTY ARE RESERVED BY TICO MANUFACTURING, INC.		
DATE:	04/22/2020	SIZE	DWG. NO.	REV
DESCRIPTION:	HEATER CONTROL ASSEMBLY	D	72649-A1	
SCALE:	1:1	WEIGHT:	0.27	SHEET 1 OF 1

D 72649-A1 001

