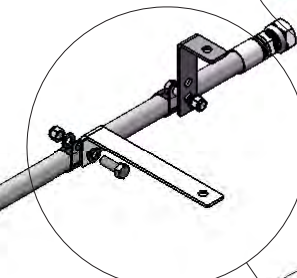
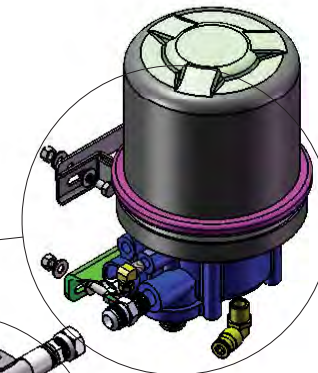
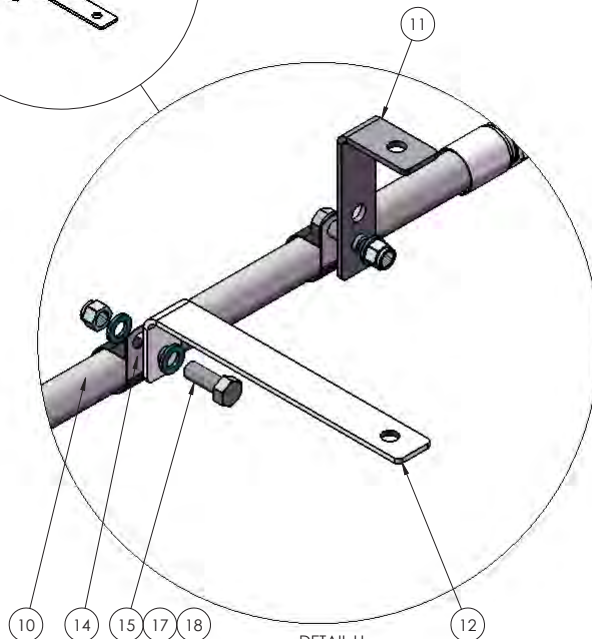


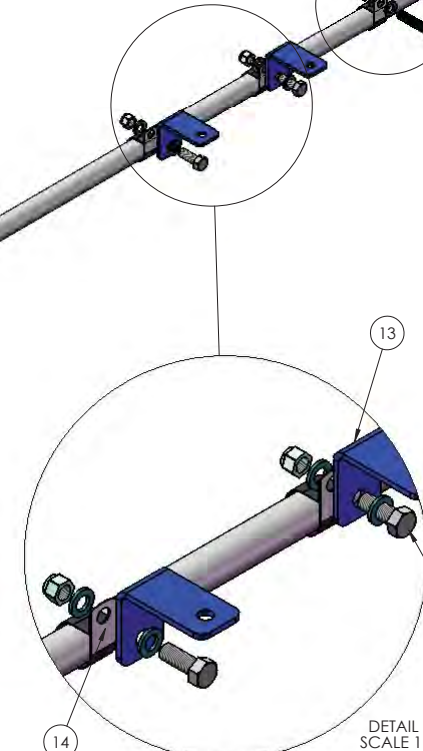
DETAIL A
SCALE 1 : 2



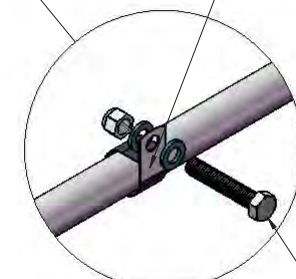
DETAIL B
SCALE 1 : 2



DETAIL H
SCALE 1 : 2



DETAIL C
SCALE 1 : 2



DETAIL B
SCALE 1 : 2

DIMENSIONS ARE IN INCHES		NAME	DATE	TICO/TERMINAL SERVICE 66 CYPRESS RIDGE DR. RIDGELAND, SC 29936 (843) 717-2226		
TOLERANCES:		DRAWN	RWC		9/3/10	
DECIMAL:		REVISION	DFM	4/5/2016	TITLE: AIR DRYER INSTALLATION BENDIX ADIP	
.XX ± 0.1250		APPROVED	PW	12/22/2015		
.XXX ± 0.0625		DO NOT SCALE DRAWING		SIZE	DWG. NO.	REV
.XXX ± 0.0313		THE SUBJECT MATTER SHOWN AND DESCRIBED IN THIS DRAWING AND ANY OTHER INFORMATION ADVANCED IN CONNECTION THEREWITH IS PROPRIETARY PROPERTY AND IS TO BE HELD IN STRICT CONFIDENCE BY YOU. ALL RIGHTS TO ANY INVENTIONS, DESIGNS, TRADE MARKS, TRADE NAMES AND COPYRIGHTS DISCLOSED ARE RESERVED TO TICO TERMINAL SERVICES, INC.		C	72641-B1	
ANGULAR: ± 1°				SCALE: 1:12	SHEET 1 OF 1	
FRACTIONAL: ± 1/16"						
INTERPRET GEOMETRIC TOLERANCING PER: ASME 14.5M-1994						
MATERIAL						
FINISH						
THICKNESS						

