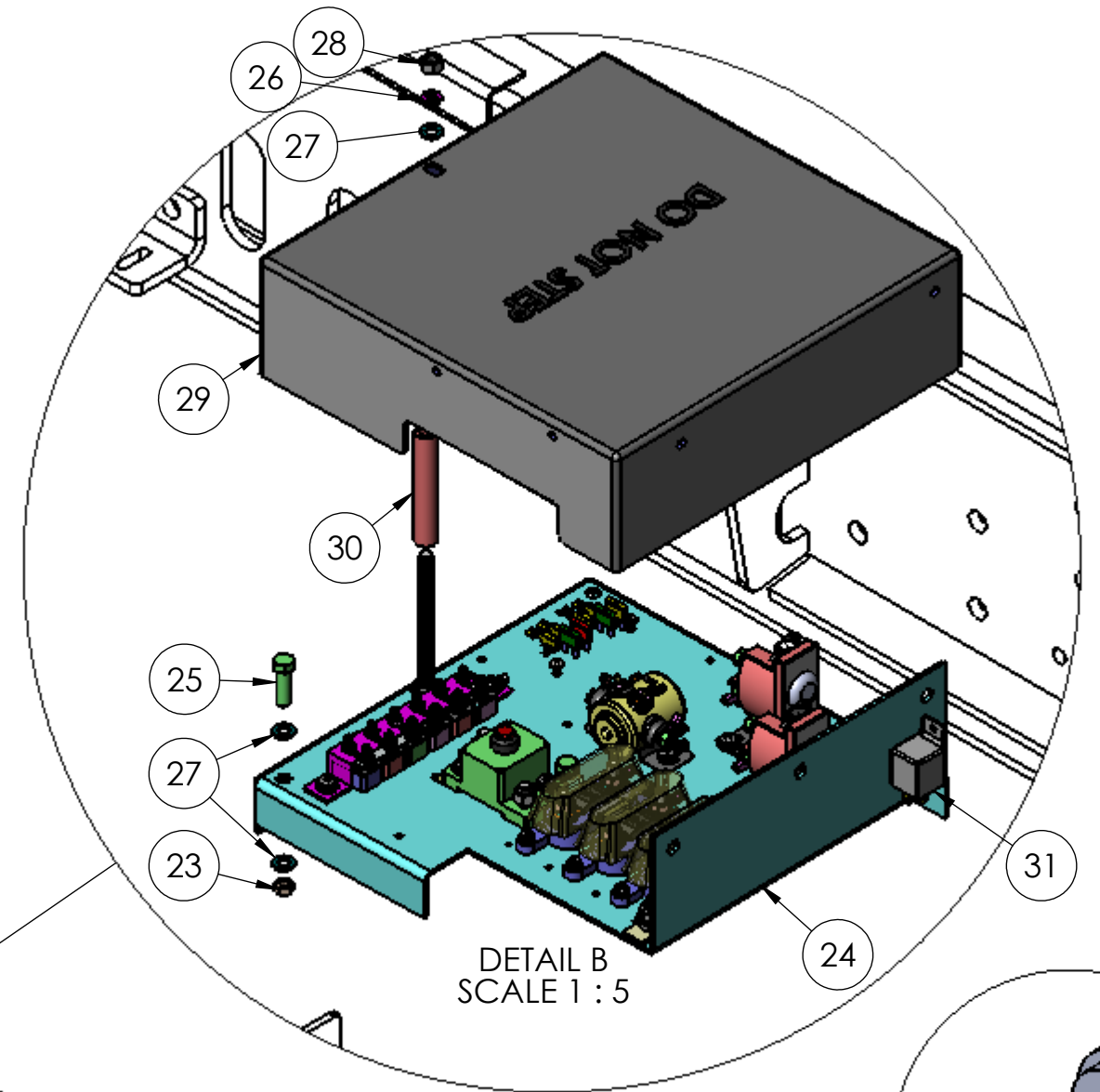
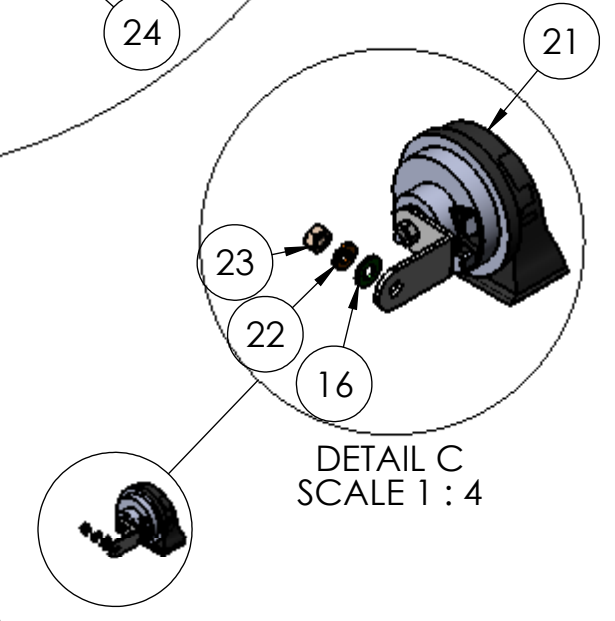


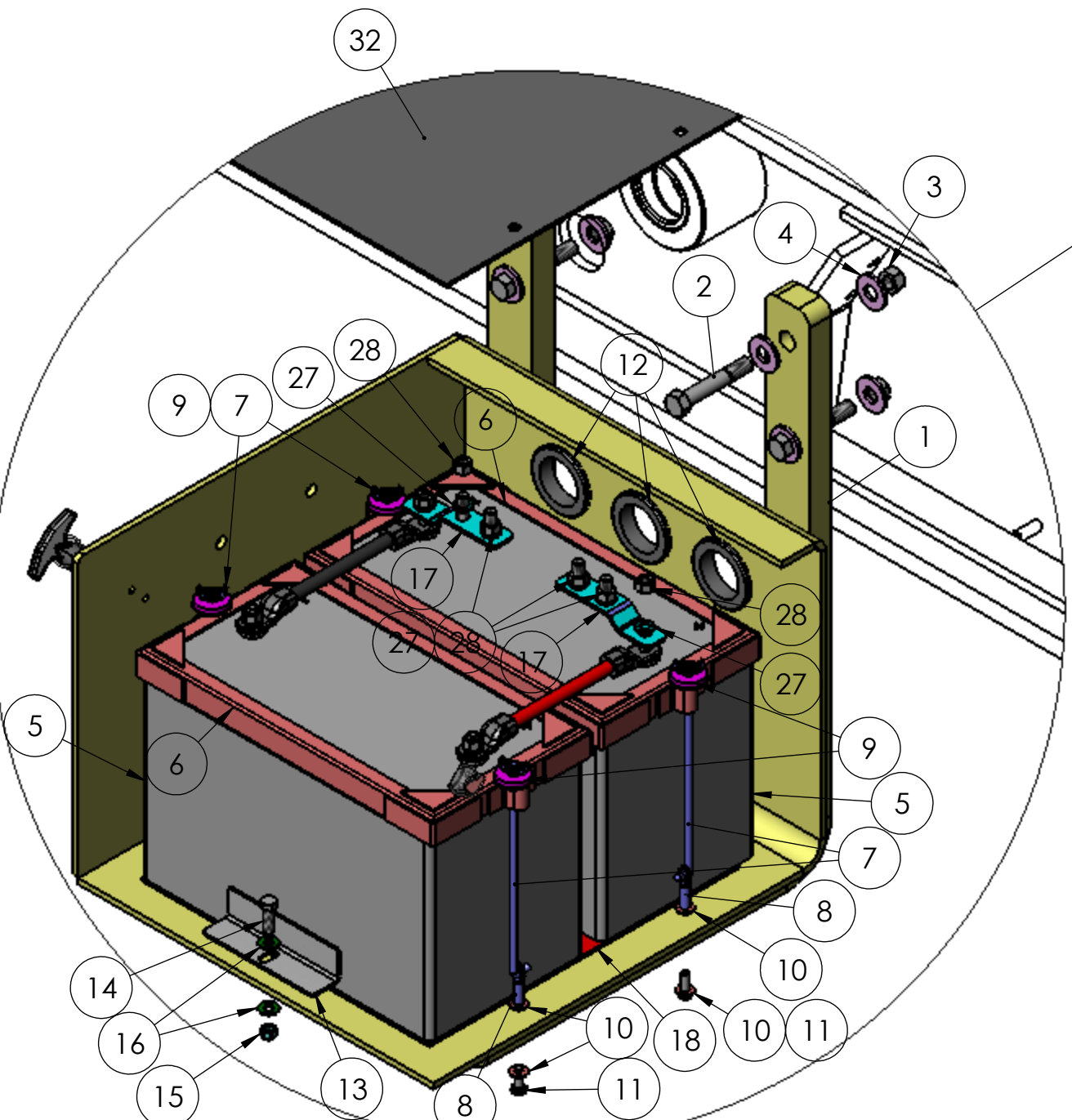
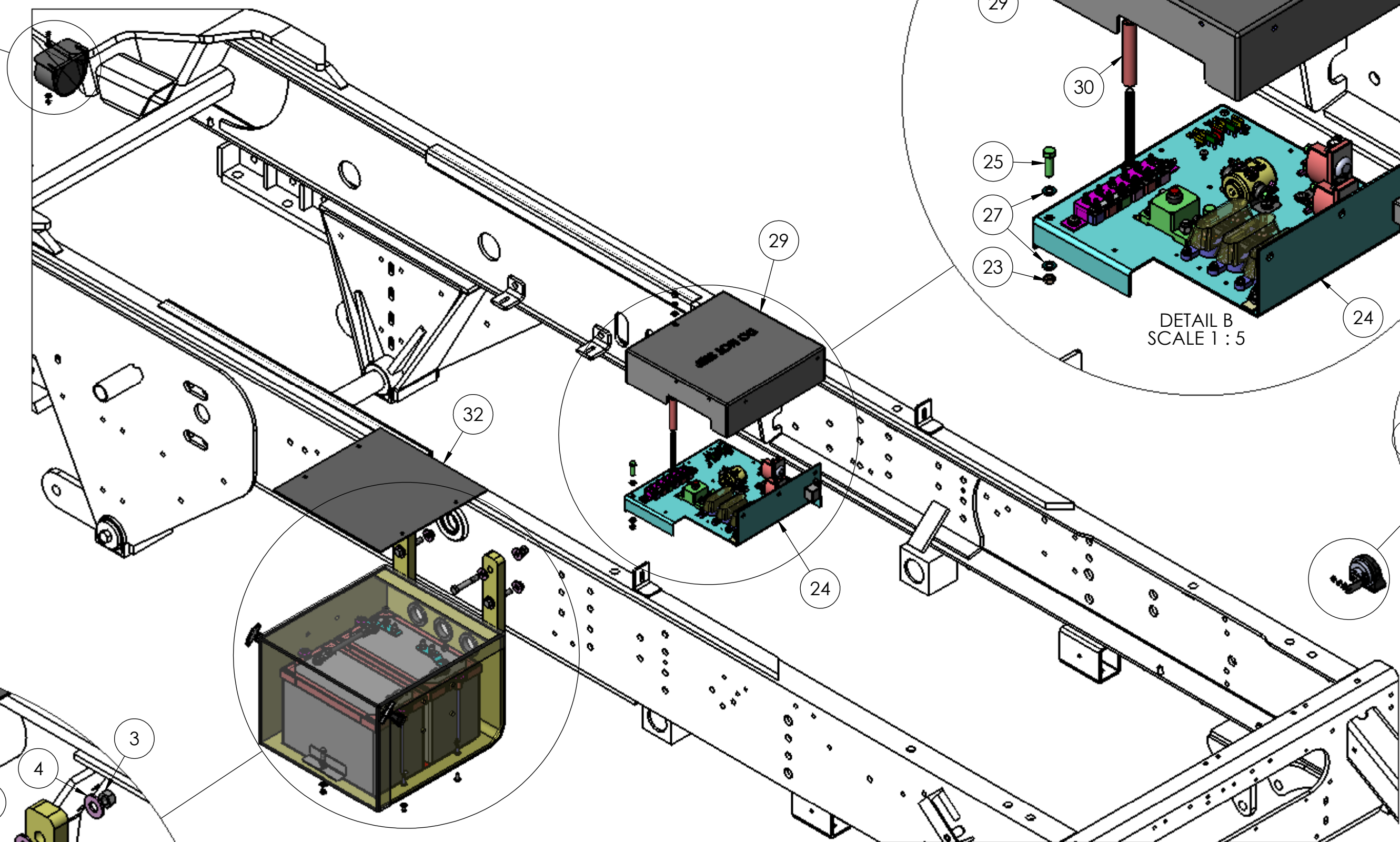
DETAIL A
SCALE 1:3



DETAIL B
SCALE 1:5



DETAIL C
SCALE 1:4



DETAIL D
SCALE 1:5

DIMENSIONS ARE IN INCHES		NAME	DATE	TICO/TERMINAL SERVICE 66 CYPRESS RIDGE DR. RIDGELAND, SC 29936 (843) 717-2226	
TOLERANCES:		DRAWN	SMB		2/12/15
DECIMAL:		CHECKED			
X.X ± 0.06 X.XX ± 0.03 X.XXX ± 0.005 ANGULAR: ± 0.5° FRACTIONAL: ± 1/32"		APPROVED			
INTERPRET GEOMETRIC TOLERANCING PER: ASME 14.5M-1994		DO NOT SCALE DRAWING			TITLE:
MATERIAL		THE SUBJECT MATTER SHOWN AND DESCRIBED IN THIS DRAWING AND ANY OTHER INFORMATION ADVANCED IN CONNECTION THEREWITH IS PROPRIETARY PROPERTY AND IS TO BE HELD IN STRICT CONFIDENCE BY YOU. ALL RIGHTS TO ANY INVENTIONS, DESIGNS, TRADE MARKS, TRADE NAMES AND COPYRIGHTS DISCLOSED ARE RESERVED TO TICO TERMINAL SERVICES, INC.			BATTERY & WIRING, 2 BATTERIES
FINISH		SIZE	DWG. NO.	REV	
THICKNESS		C	72637-G1		
		SCALE: 1:5 WEIGHT: 2669.95 SHEET 1 OF 1			

TICO PRO-SPOTTER				
S/N:		BATTERY & WIRING - RMS QSB BATTERY BOX, 2 BATT		72637
ITEM	PART #	QTY/M	DESCRIPTION	TASK/REV
	72637-G1	REF	BATTERY & WIRING, 2 BATTERIES	
1	20278	1	ASSEMBLY, RAIL MGMT BATTERY BOX	
	20277	1	WELDMENT, BOTTOM, RAIL MANAGEMENT BATTERY BOX	
	20275	1	WELDMENT, COVER, RAIL MANAGEMENT BATTERY BOX	
	20030-17	2	LATCH, RUBBER	
	80196	4	BOLT, HEX, 1-32 X 1 LG, HOLDER TO BATTERY BOX	
	80232	4	WASHER, FLAT, #10	
	80209	4	LOCKNUT, 10-32	
2	82485	4	BOLT, HEX, 5/8-11 X 3 1/2 LG	
3	85028	4	LOCKNUT, NYLOCK, 5/8-11	
4	85115	8	WASHER, FLAT, HARD, 5/8	
5	91814	2	BATTERY, 12V	
6	20075	2	BATTERY HOLD DOWN	
7	20012	4	ASSEMBLY, J-BOLT	
	20012-1	4	J-BOLT, 1/4-20, BATTERY HOLD DOWN	
	80129	4	WASHER, FENDER, 1/4-20	
	20012-3	4	NUT, WING, 1/4-20	
8	20077	4	COUPLING, EYE, 1/4-20	
9	20012-4	4	WASHER, .25 x 1.25 x .88, GRAY PLASTIC	
10	85111	8	WASHER, FLAT, HARD, 1/4	
11	82359	4	BOLT, HEX 1/4-20 X 3/4 LG	
12	90120	3	GROMMET	
13	12070	1	BRACKET, BATTERY STOP	
14	82371	1	BOLT, HEX, 5/16-18 X 1" LG	
15	85002	1	NUT, HEX, 5/16-18	
16	85112	2	WASHER, FLAT, 5/16	
17	90957	2	BUSS BAR, BATTERY	
18	40210-2	1	RUBBER MAT, BATTERY BOX	
	91250	1	ASSEMBLY, BACKUP ALARM, STANDARD, VELVAC	
19	40198	1	ALARM, BACKUP, 112 DBA, VELVAC	
20	85023	2	LOCKNUT, NYLOCK, 1/4-20	
21	90207	1	HORN, ELECTRIC	
22	85134	1	LOCKWASHER, 5/16	
23	85002	2	NUT, HEX, 5/16-18	
24	61675	1	CHASSIS PDC	
25	82383	2	BOLT, HEX, 3/8-16 X 1 1/4 LG	
26	85135	2	LOCKWASHER, 3/8	
27	85113	4	WASHER, FLAT, HARD, 3/8	
REV	DATE	BY		SHEET
				1 OF 2

TICO PRO-SPOTTER

S/N: **BATTERY & WIRING - RMS QSB BATTERY BOX, 2 BATT** **72637**

ITEM	PART #	QTY/M	DESCRIPTION	TASK
28	85014	1	NUT, HEX, 3/8-16	
29	91938	1	COVER, PDC PANEL	
30	61597	1	SPACER	
NOT SHOWN	91021	1	FUSE, 5A - F17	
NOT SHOWN	91023	3	FUSE, 10A - F4/F15/F19	
NOT SHOWN	91025	10	FUSE, 20A - F2/F3/F5/F7/F8/F9/F10/F14/F18/F20	
NOT SHOWN	91027	1	FUSE, 30A - F6	
31	90870	12	RELAY	
NOT SHOWN	61558	1	WIRE HARNESS, CAB POWER	
NOT SHOWN	61521	1	WIRE HARNESS, CAB ACC. (1 FANS/DOME LGT)	
NOT SHOWN	91796	REF	WIRE HARNESS, CHASSIS EXT LIGHTS , CAB BAR (SEE CAB BAR)	
NOT SHOWN	61559	1	WIRE HARNESS, SPITTER	
NOT SHOWN	61515	1	WIRE HARNESS, IGNITION	
NOT SHOWN	91132	1	WIRE HARNESS, CAB GND	
NOT SHOWN	40801	1	WIRE, 6GA, CAB TILT PUMP TO SWITCH	
NOT SHOWN	61535	1	WIRE HARNESS, TAIL LIGHTS, 116" WB	
NOT SHOWN	90843	1	CABLE, 3/0 RED BATTERY	
NOT SHOWN	90844	1	CABLE, 3/0 BLK BATTERY	
NOT SHOWN	91223	1	CABLE, 3/0 RED BATTERY to STARTER	
NOT SHOWN	91224	1	CABLE, 3/0 BLK BATTERY to STARTER	
NOT SHOWN	91518	1	CABLE, 2/0 RED BATTERY to PDC	
NOT SHOWN	91517	1	CABLE, 2/0 BLK BATTERY to PDC	
NOT SHOWN	90877	1	CABLE, 1/0 RED LIFT PUMP to PDC	
NOT SHOWN	62431	1	WIRE HARNESS, CAB PDC (GEN5 TRANS & ABS)	
NOT SHOWN	62411	1	HARNESS, CHASSIS, PDC, TIER Ivi, QSB, SEALED POWER CONN.	
NOT SHOWN	91154	1	FLASHER, HEAVY DUTY	
NOT SHOWN	91229	4	COVER, BATTERY POST, RED	
NOT SHOWN	91230	4	COVER, BATTERY POST, BLACK	
NOT SHOWN	91268	4	SHRINK TUBING, 2" ID X 6" LG	
32	42292	1	RUBBER MAT, DOUBLE BATTERY, COVER	
REV	DATE	BY		SHEET
				2 OF 2