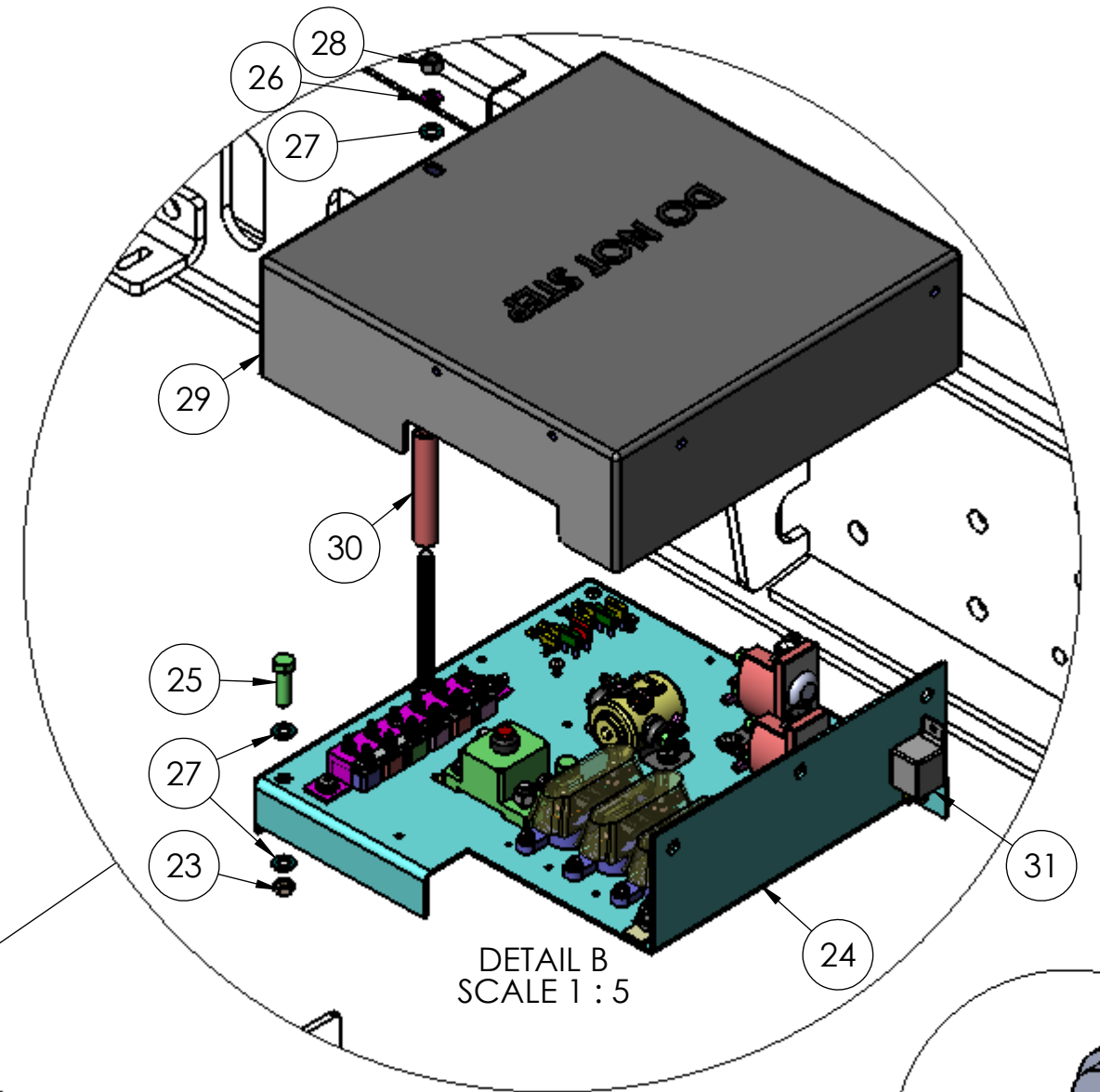
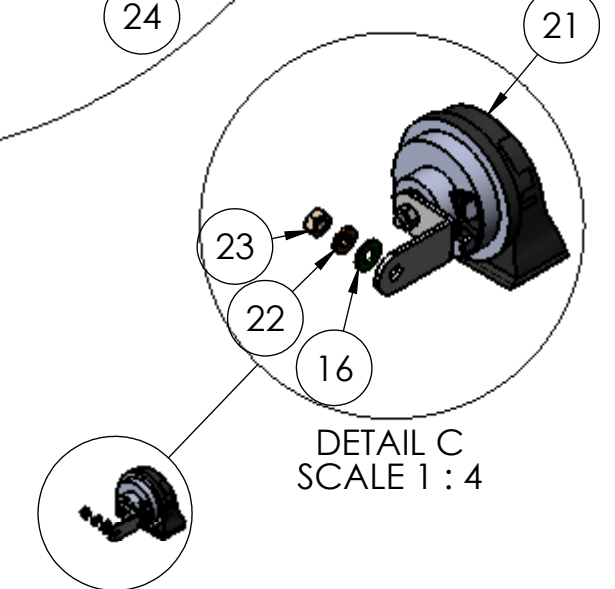


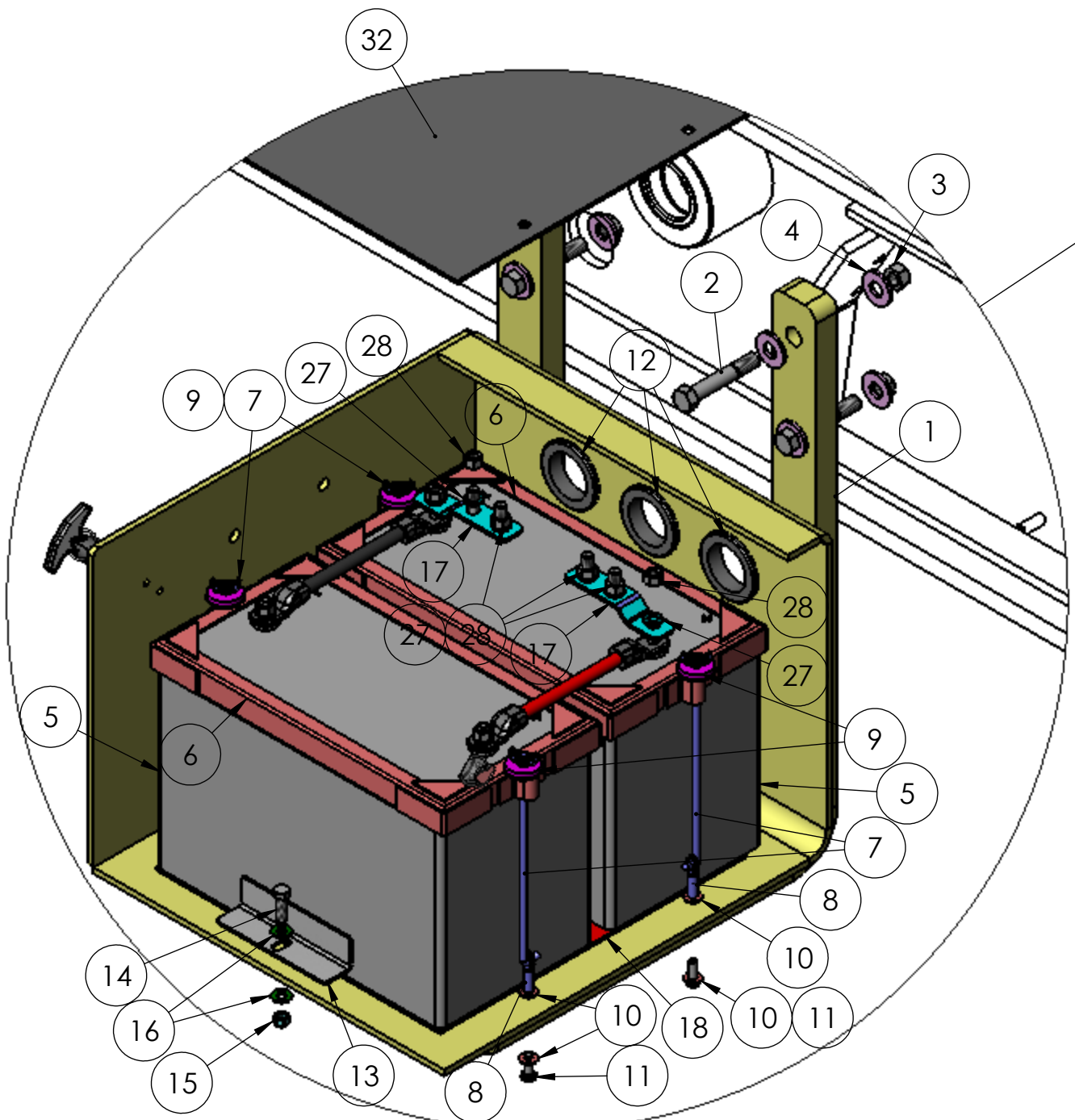
DETAIL A
SCALE 1:3



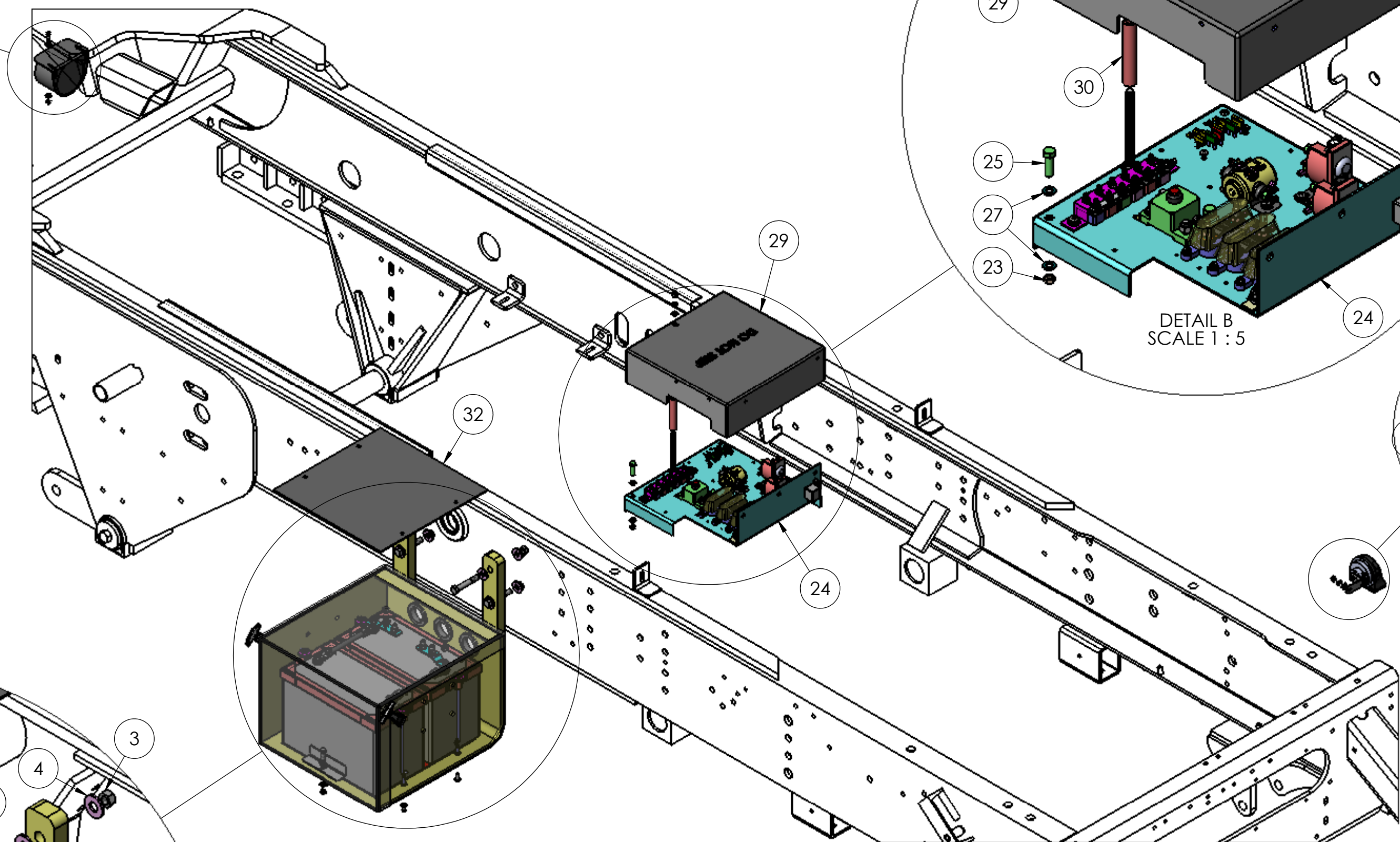
DETAIL B
SCALE 1:5




DETAIL C
SCALE 1:4



DETAIL D
SCALE 1:5



DIMENSIONS ARE IN INCHES		NAME	DATE	 TICO/TERMINAL SERVICE 66 CYPRESS RIDGE DR. RIDGELAND, SC 29936 (843) 717-2226	
TOLERANCES:		DRAWN	SMB		2/12/15
DECIMAL:		CHECKED			
X.X ± 0.06 X.XX ± 0.03 X.XXX ± 0.005 ANGULAR: ± 0.5° FRACTIONAL: ± 1/32"		APPROVED			
INTERPRET GEOMETRIC TOLERANCING PER: ASME 14.5M-1994		DO NOT SCALE DRAWING			TITLE:
MATERIAL		THE SUBJECT MATTER SHOWN AND DESCRIBED IN THIS DRAWING AND ANY OTHER INFORMATION ADVANCED IN CONNECTION THEREWITH IS PROPRIETARY PROPERTY AND IS TO BE HELD IN STRICT CONFIDENCE BY YOU. ALL RIGHTS TO ANY INVENTIONS, DESIGNS, TRADE MARKS, TRADE NAMES AND COPYRIGHTS DISCLOSED ARE RESERVED TO TICO TERMINAL SERVICES, INC.			BATTERY & WIRING, 2 BATTERIES
FINISH		SIZE	DWG. NO.	REV	
THICKNESS		C	72637-G1		
		SCALE: 1:5 WEIGHT: 2669.95 SHEET 1 OF 1			

TICO PRO-SPOTTER				
S/N:		BATTERY & WIRING - RMS QSB BATTERY BOX, 2 BATT		72632
ITEM	PART #	QTY/M	DESCRIPTION	TASK/REV
	72637-G1	REF	BATTERY & WIRING, 2 BATTERIES	
1	20278	1	ASSEMBLY, RAIL MGMT BATTERY BOX	
	20277	1	WELDMENT, BOTTOM, RAIL MANAGEMENT BATTERY BOX	
	20275	1	WELDMENT, COVER, RAIL MANAGEMENT BATTERY BOX	
	20030-17	2	LATCH, RUBBER	
	80196	4	BOLT, HEX, 1-32 X 1 LG, HOLDER TO BATTERY BOX	
	80232	4	WASHER, FLAT, #10	
	80209	4	LOCKNUT, 10-32	
2	82485	4	BOLT, HEX, 5/8-11 X 3 1/2 LG	
3	85028	4	LOCKNUT, NYLOCK, 5/8-11	
4	85115	8	WASHER, FLAT, HARD, 5/8	
5	40193	2	BATTERY, 12V	
6	20075	2	BATTERY HOLD DOWN	
7	20012	4	ASSEMBLY, J-BOLT	
	20012-1	4	J-BOLT, 1/4-20, BATTERY HOLD DOWN	
	80129	4	WASHER, FENDER, 1/4-20	
	20012-3	4	NUT, WING, 1/4-20	
8	20077	4	COUPLING, EYE, 1/4-20	
9	20012-4	4	WASHER, .25 x 1.25 x .88, GRAY PLASTIC	
10	85111	8	WASHER, FLAT, HARD, 1/4	
11	82359	4	BOLT, HEX 1/4-20 X 3/4 LG	
12	90120	3	GROMMET	
13	12070	1	BRACKET, BATTERY STOP	
14	82371	1	BOLT, HEX, 5/16-18 X 1" LG	
15	85002	1	NUT, HEX, 5/16-18	
16	85112	2	WASHER, FLAT, 5/16	
17	90957	2	BUSS BAR, BATTERY	
18	40210-2	1	RUBBER MAT, BATTERY BOX	
	91250	1	ASSEMBLY, BACKUP ALARM, STANDARD, VELVAC	
19	40198	1	ALARM, BACKUP, 112 DBA, VELVAC	
20	85023	2	LOCKNUT, NYLOCK, 1/4-20	
21	90207	1	HORN, ELECTRIC	
22	85134	1	LOCKWASHER, 5/16	
23	85002	2	NUT, HEX, 5/16-18	
24	61675	1	CHASSIS PDC	
25	82383	2	BOLT, HEX, 3/8-16 X 1 1/4 LG	
26	85135	2	LOCKWASHER, 3/8	
27	85113	4	WASHER, FLAT, HARD, 3/8	
REV	DATE	BY		SHEET
				1 OF 2

