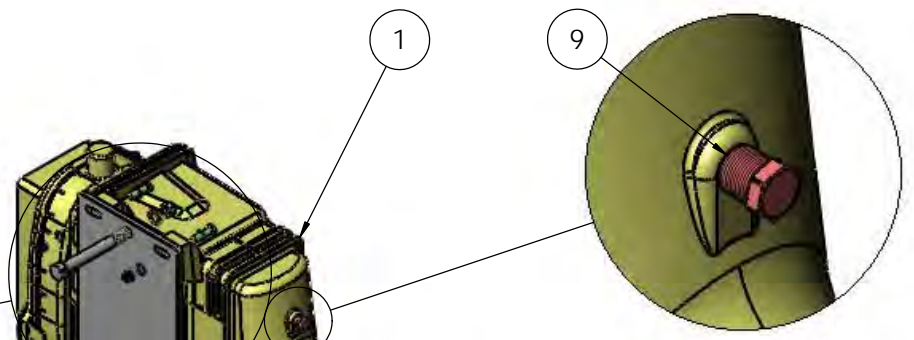
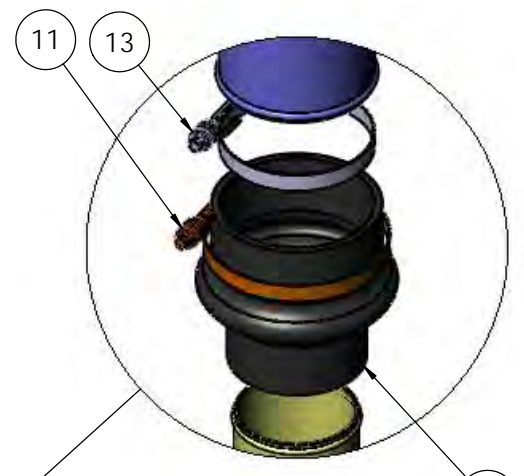


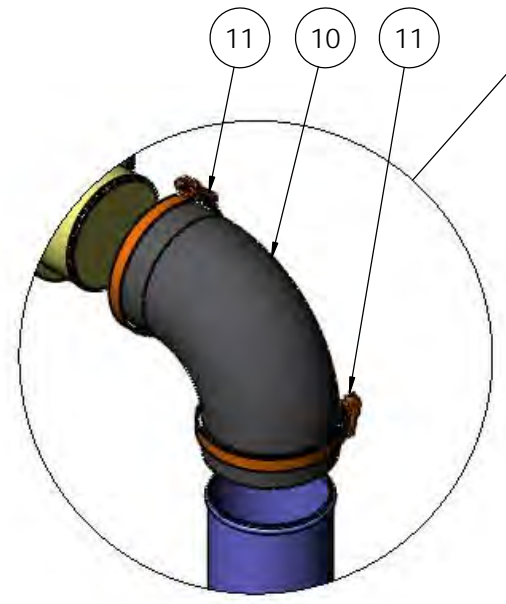
DETAIL A
SCALE 1 : 4



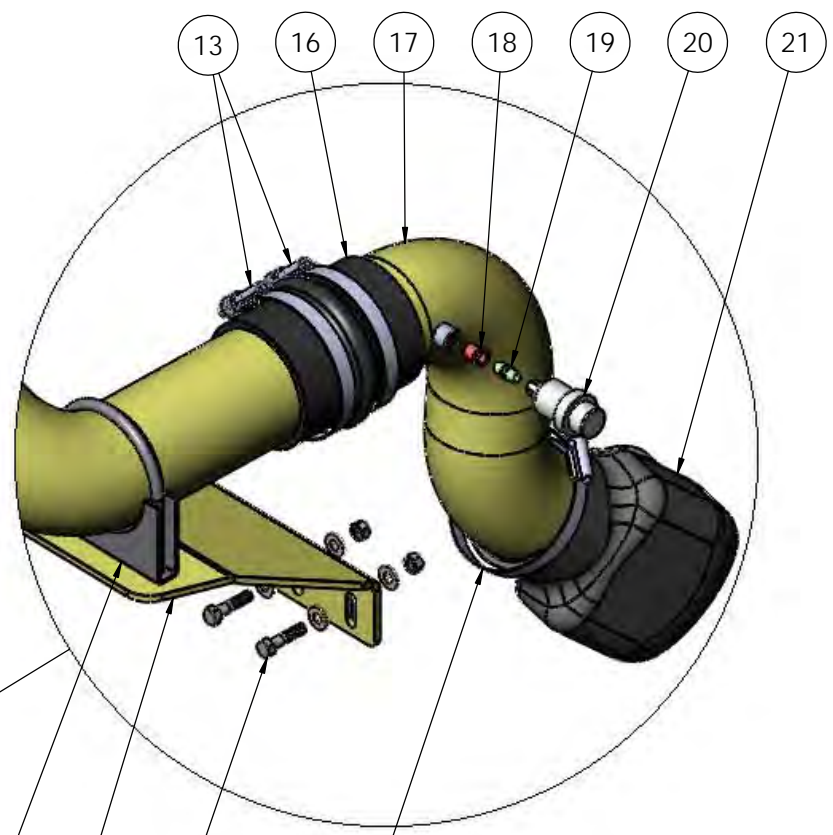
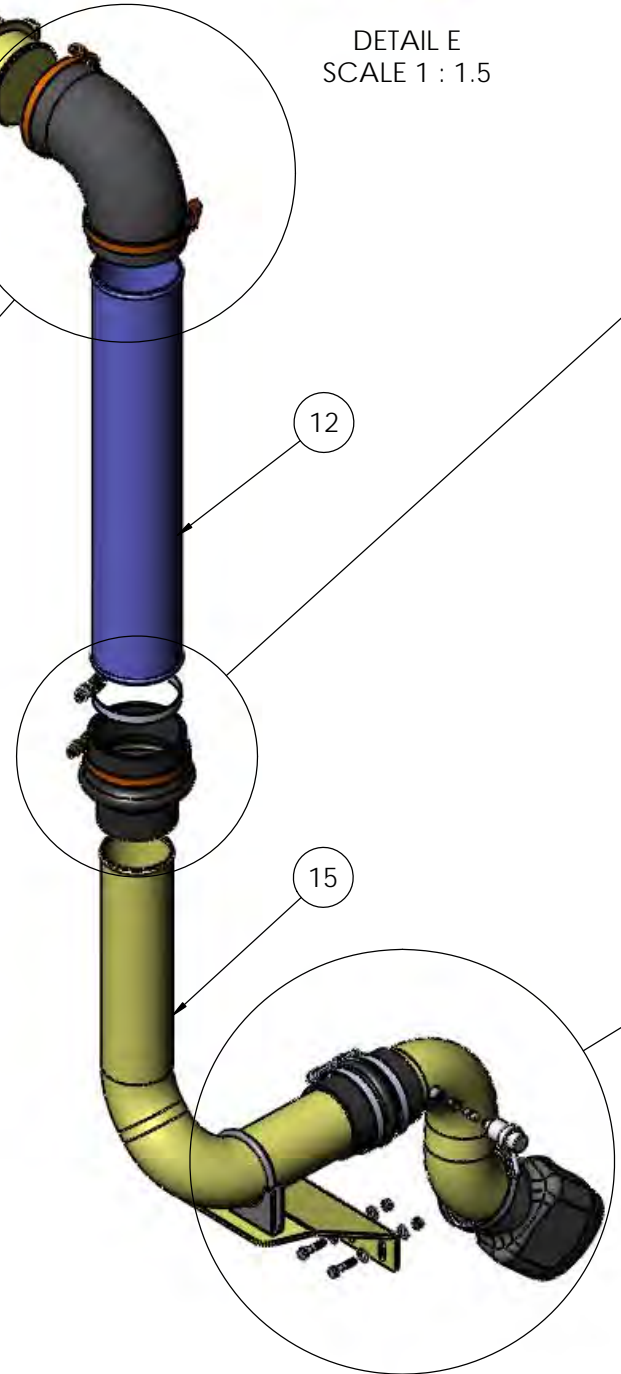
DETAIL E
SCALE 1 : 1.5



DETAIL D
SCALE 1 : 4



DETAIL B
SCALE 1 : 5



DETAIL C
SCALE 1 : 4

DIMENSIONS ARE IN INCHES		NAME	DATE	TICO/TERMINAL SERVICE 66 CYPRESS RIDGE DR. RIDGELAND, SC 29936 (843) 717-2226
TOLERANCES:		DRAWN	DFM 07/16/2015	
DECIMAL:		REVISED	PW 03/30/2016	
.XX ± 0.06 .XXX ± 0.03 .XXXX ± 0.005 ANGULAR: ± 0.5° FRACTIONAL: ± 1/32"		APPROVED		
DO NOT SCALE DRAWING				TITLE:
THE SUBJECT MATTER SHOWN AND DESCRIBED IN THIS DRAWING AND ANY OTHER INFORMATION ADVANCED IN CONNECTION THEREWITH IS PROPRIETARY PROPERTY AND IS TO BE HELD IN STRICT CONFIDENCE BY YOU. ALL RIGHTS TO ANY INVENTIONS, DESIGNS, TRADE MARKS, TRADE NAMES AND COPYRIGHTS DISCLOSED ARE RESERVED TO TICO TERMINAL SERVICES, INC.				SYSTEM, AIR INTAKE
MATERIAL		SIZE	DWG. NO.	REV
FINISH		C	72629-A1	
THICKNESS				
				SHEET 1 OF 1

