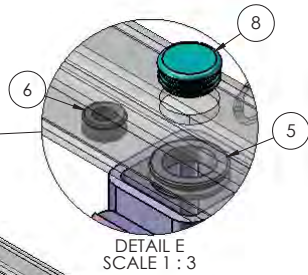
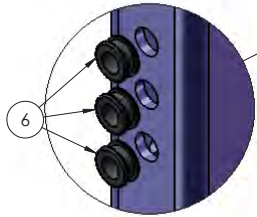


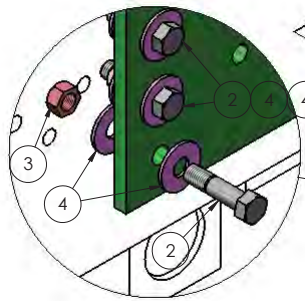
DETAIL A
SCALE 1 : 2



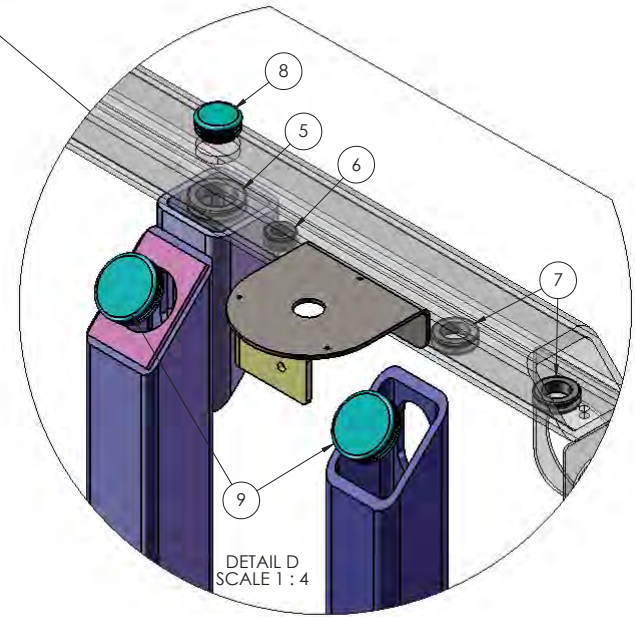
DETAIL E
SCALE 1 : 3




DETAIL B
SCALE 1 : 3



DETAIL C
SCALE 1 : 3



DETAIL D
SCALE 1 : 4

DIMENSIONS ARE IN INCHES		NAME	DATE	 TICO/TERMINAL SERVICE 66 CYPRESS RIDGE DR. RIDGELAND, SC 29936 (843) 717-2226
TOLERANCES:		DRAWN	SMB	
DECIMAL:		CHECKED		
.XX ± 0.06		APPROVED		
.XXX ± 0.03		DO NOT SCALE DRAWING		
.XXXX ± 0.005		THE SUBJECT MATTER SHOWN AND DESCRIBED IN THIS DRAWING AND ANY OTHER INFORMATION ADVANCED IN CONNECTION THEREWITH IS PROPRIETARY PROPERTY AND IS TO BE HELD IN STRICT CONFIDENCE BY YOU. ALL RIGHTS TO ANY INVENTIONS, DESIGNS, TRADE MARKS, TRADE NAMES AND COPYRIGHTS DISCLOSED ARE RESERVED TO TICO TERMINAL SERVICES, INC.		
ANGULAR: ± 0.5°		TITLE:		
FRACTIONAL: ± 1/32"		CAB BAR ASSEMBLY		
INTERPRET GEOMETRIC TOLERANCING PER: ASME 14.5M-1994		SIZE	DWG. NO.	REV
MATERIAL		C	72615-C1	
FINISH		SCALE: 1:1	WEIGHT:	SHEET 1 OF 1
THICKNESS				

