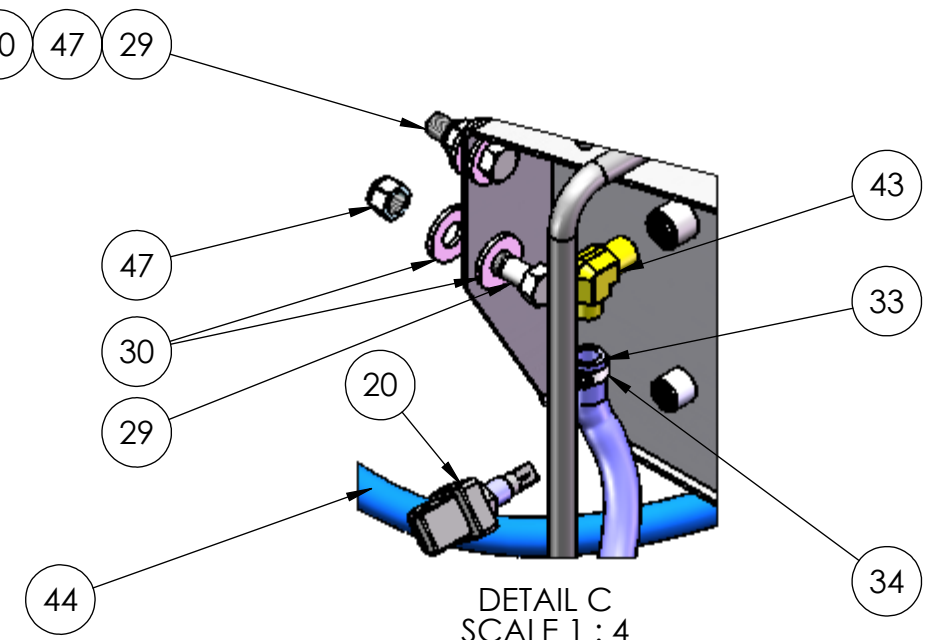
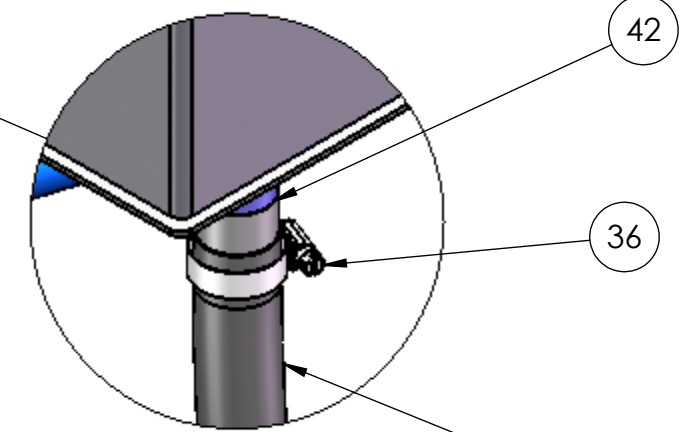


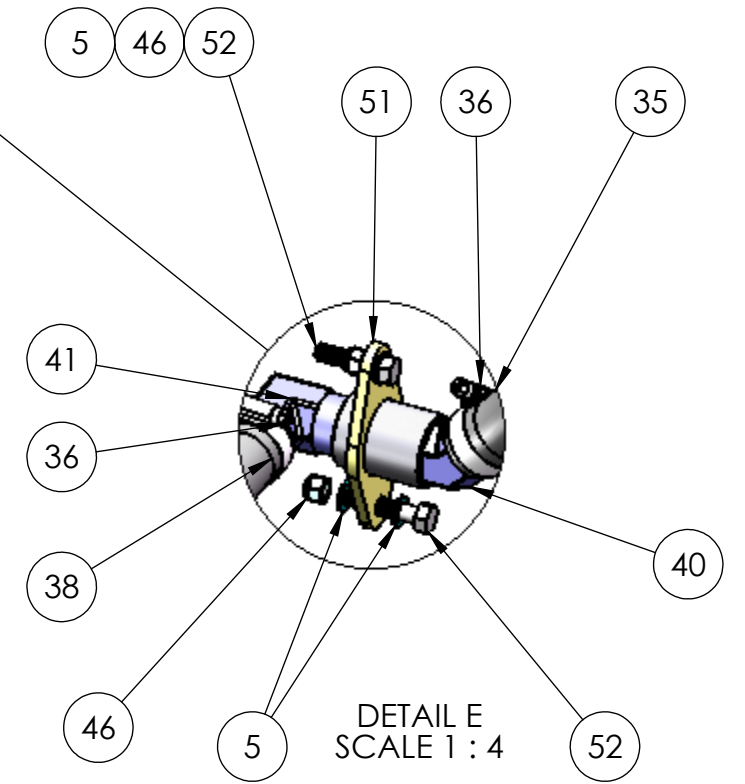
DETAIL B
SCALE 1 : 1.5



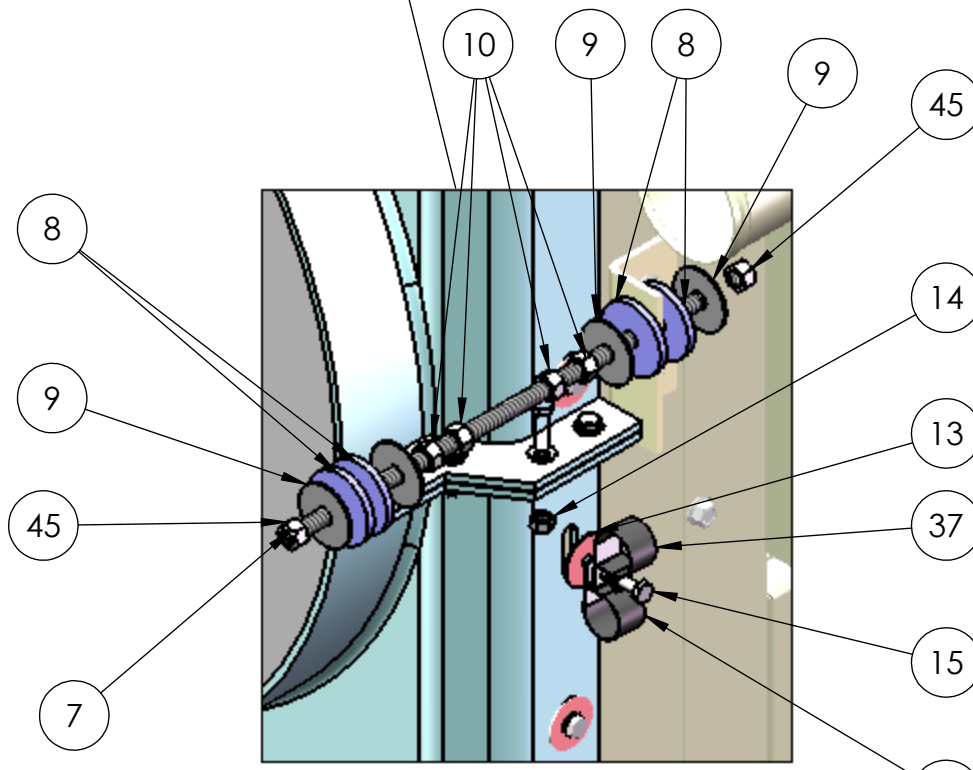
DETAIL C
SCALE 1 : 4



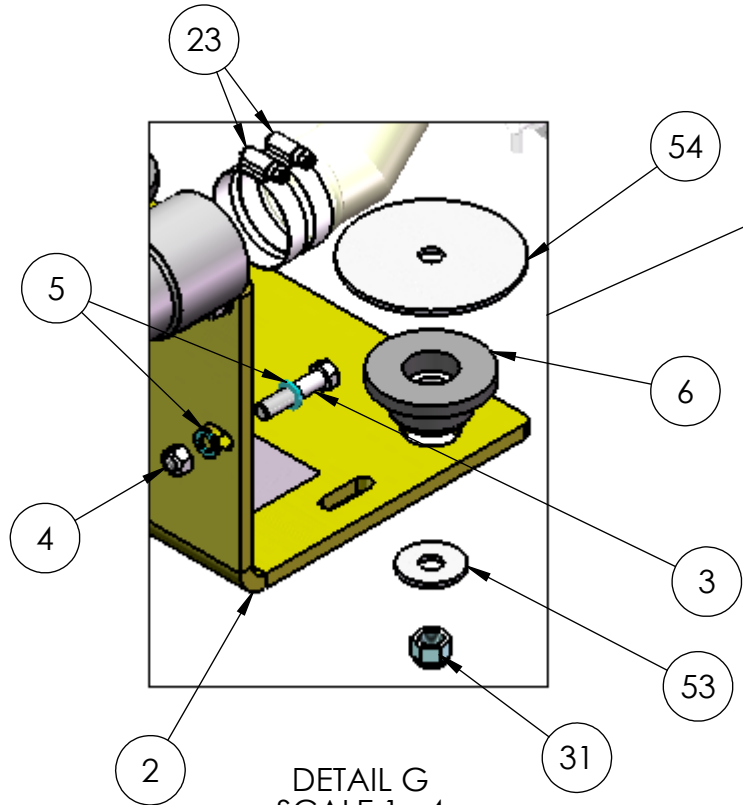
DETAIL D
SCALE 1 : 3



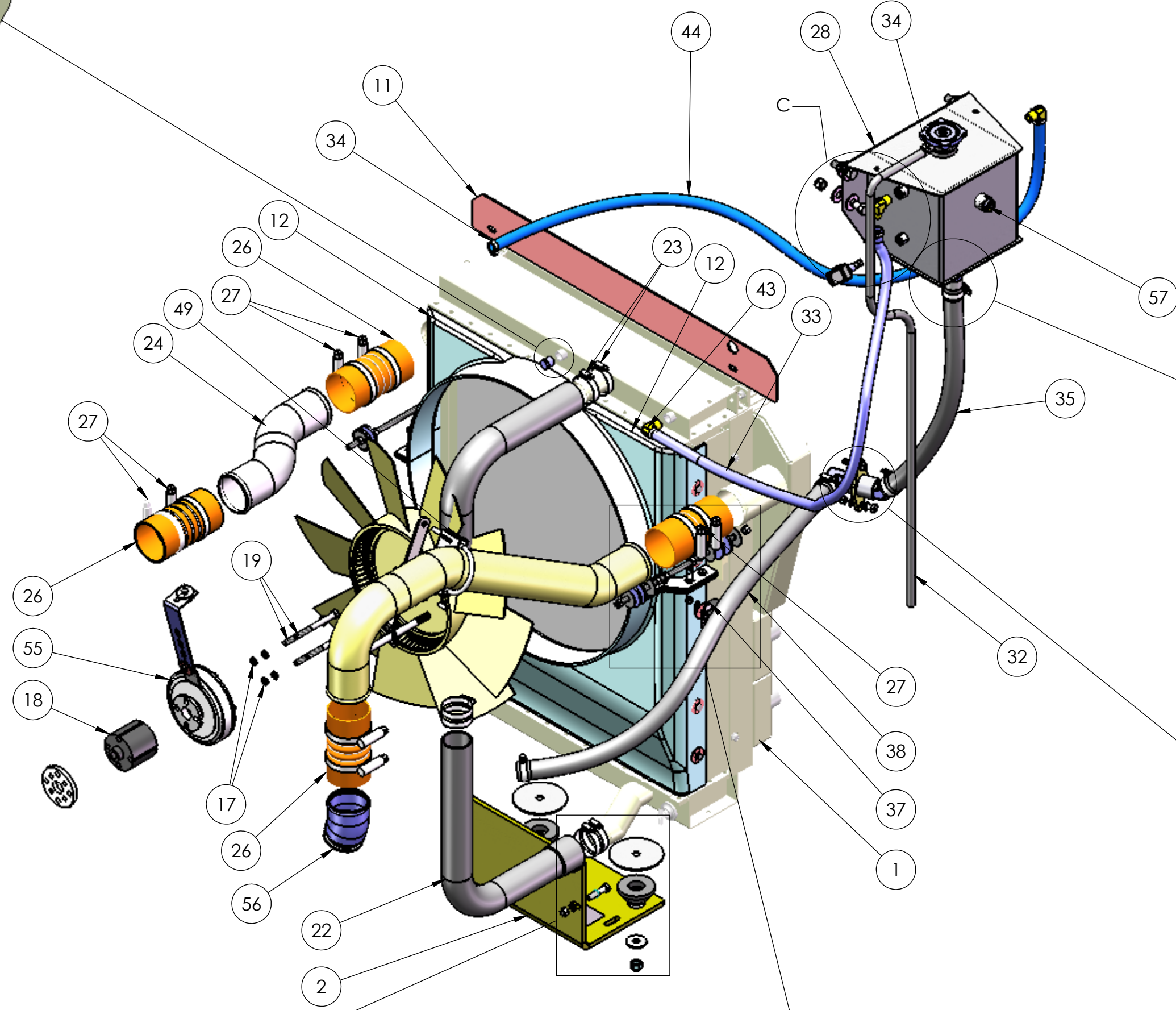
DETAIL E
SCALE 1 : 4



DETAIL F
SCALE 1 : 4



DETAIL G
SCALE 1 : 4



DIMENSIONS ARE IN INCHES		NAME	DATE	TICO/TERMINAL SERVICE 66 CYPRESS RIDGE DR. RIDGELAND, SC 29936 (843) 717-2226
TOLERANCES:		DRAWN	SMB 8/31/15	
DECIMAL:		CHECKED		
X.X ± 0.06		APPROVED		TITLE:
X.XX ± 0.03		DO NOT SCALE DRAWING		COOLING SYSTEM, ISB
X.XXX ± 0.005				SIZE DWG. NO. REV
ANGULAR: ± 0.5°				C 72604-D1
FRACTIONAL: ± 1/32"				SCALE: 1:24 WEIGHT: SHEET 1 OF 1
INTERPRET GEOMETRIC TOLERANCING PER: ASME 14.5M-1994		THE SUBJECT MATTER SHOWN AND DESCRIBED IN THIS DRAWING AND ANY OTHER INFORMATION ADVANCED IN CONNECTION THEREWITH IS PROPRIETARY PROPERTY AND IS TO BE HELD IN STRICT CONFIDENCE BY YOU. ALL RIGHTS TO ANY INVENTIONS, DESIGNS, TRADE MARKS, TRADE NAMES AND COPYRIGHTS DISCLOSED ARE RESERVED TO TICO TERMINAL SERVICES, INC.		

TICO PRO SPOTTER

S/N:	COOLING SYSTEM, ISB 2015, CLUTCH FAN, ACC	72604
-------------	--------------------------------------------------	--------------

ITEM	PART #	QTY/M	DESCRIPTION	TASK
	72604-D1	REF	COOLNG SYSTEM, ISB	
1	62286	1	ASS'Y, RADIATOR	
	61551-3	1	TRANSMISSION OIL COOLER	
	62288	1	RADIATOR, 1/2 STUDS	
	62262	1	CAC W/AC CONDENSER MOUNT BRACKETS	
2	12736	1	MOUNT, LOWER RADIATOR	
3	82405	4	BOLT, HEX, 3/8-16 x 1 3/4" LG	
4	85036	4	LOCKNUT, 3/8-16	
5	85091	8	WASHER, 3/8	
6	62254	2	ISOLATORS, RADIATOR MOUNT	
7	61603	2	ROD, THREADED, 3/8-16 x 12" LG	
8	60857	8	RUBBER MOUNT, 3/8 ID X 1.75 OD	
9	80346	8	WASHER, FENDER, 3/8"	
10	85014	2	NUT, HEX, 3/8-16	
11	61644	1	BAFFLE, RADIATOR TOP	
12	60988	1	FAN SHROUD	
13	80129	12	WASHER, FENDER, 1/4"	
14	85034	12	NUT, NYLOCK, 1/4	
15	82359	12	BOLT, HEX, 1/4-20 X 3/4" LG	
16	61842	1	FAN, ENG, 22", 9 BLADE COMP, 3.34 PW, FIXED	
17	85135	4	LOCKWASHER, 3/8	
18	62173	1	SPACER, FAN, 19 MM	
19	60799-19	4	BOLT, 10 MM X 50 MM LG, SERRRATED FLANGE HEAD	
20	60824	1	SENSOR FLUID LEVEL	
21	60607	1	HOSE, RADIATOR INLET, 2"	
22	60890	1	HOSE, RADIATOR OUTLET, 2-2 1/4' (BTM)	
23	420305	3	CLAMP, WORM GEAR	
24	62055	1	TUBE, CAC, LH	
25	61968	1	TUBE, CAC, RH	
REV	DATE	BY		SHEET
				1 OF 3

TICO PRO SPOTTER				
S/N:		COOLING SYSTEM, ISB 2015, CLUTCH FAN, ACC		72604
ITEM	PART #	QTY/M	DESCRIPTION	TASK
26	40175	4	HOSE, HUMP, CAC	
27	40185	8	CLAMP, SPRING HOSE	
28	61936	1	TANK, SURGE	
29	82407	4	BOLT, HEX, 1/2-13 X 1 3/4 LG	
30	85115	4	WASHER, 1/2	
31	85027	4	NUT, NYLOCK, 1/2-13	
32	40811	61 IN	HOSE, OVERFLOW, 3/8" X 55" LG	
33	41158	55 IN	HOSE, 3/8 RADIATOR, SURGE TANK	
34	42149	4	CLAMP, HOSE WORM GEAR, 5/16	
35	41014	32 IN	HOSE, 1" X 32" LG, SURGE TANK TO FRAME	
36	40190-2	2	CLAMP, HOSE WORM GEAR, 9/16 TO 1 1/16	
37	42154	8	CLAMP, P 1.O	
38	41015	1	HOSE, FRAME TO WATER PUMP	
39	40092	1	PIPE PLUG, 3/8" NPT	
40	40721	1	FITTING, HOSE BARB 90° STEEL, 1" HOSE X 1" NPT	
41	40722	1	FITTING, HOSE BARB 45° STEEL, 1" HOSE X 1" NPT	
42	42110	1	FITTING, HOSE BARB, STR, STEEL, 1" HOSE X 1" NPT	
43	42239	2	FITTING, HOSE BARB, 90°, BRASS, 3/8 HOSE X 3/8 NPT	
44	41158	65 IN	HOSE, 3/8 (ENGINE TO SURGE TANK)	
45	85036	4	NUT, LOCK 3/8	
46	85025	2	NUT, 3/8'-16 NYLOK	
47	85027	4	LOCKNUT, 1/2-13 NYLON	
48	30337	1	BRACKET, CAC, RH, TUBE TO ALTERNATOR	
49	40005	1	CLAMP, 3" MUFFLER	
50	80368	1	BOLT, HEX HD 12mm X 160mm LG GRD 8.8 PLATED	
51	12898	1	FRAME COUPLING BRACKET, SURGE TANK	
52	82394	2	BOLT, HEX 3/8"-16 X 1 1/2" LG	
53	62110	2	WASHER - FRONT ENGINE MOUNT BOTTOM	
54	62332	2	WASHER - RADIATOR MOUNT TOP	
REV	DATE	BY		SHEET
				2 OF 3

