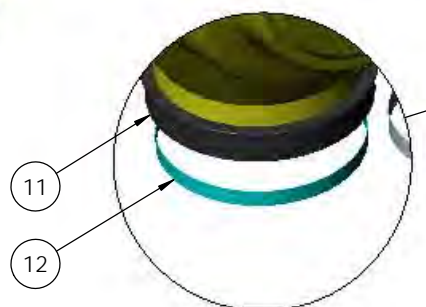
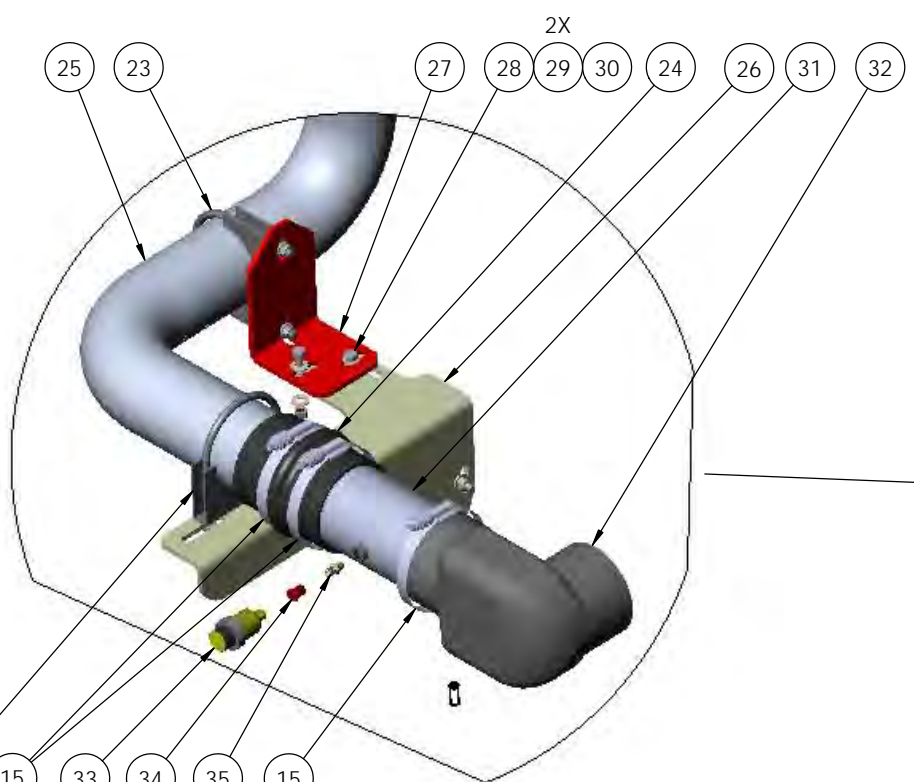


DETAIL A  
SCALE 2 : 7

4 5 6  
2X

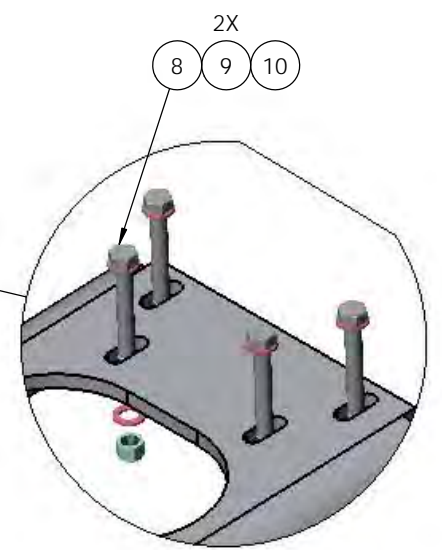
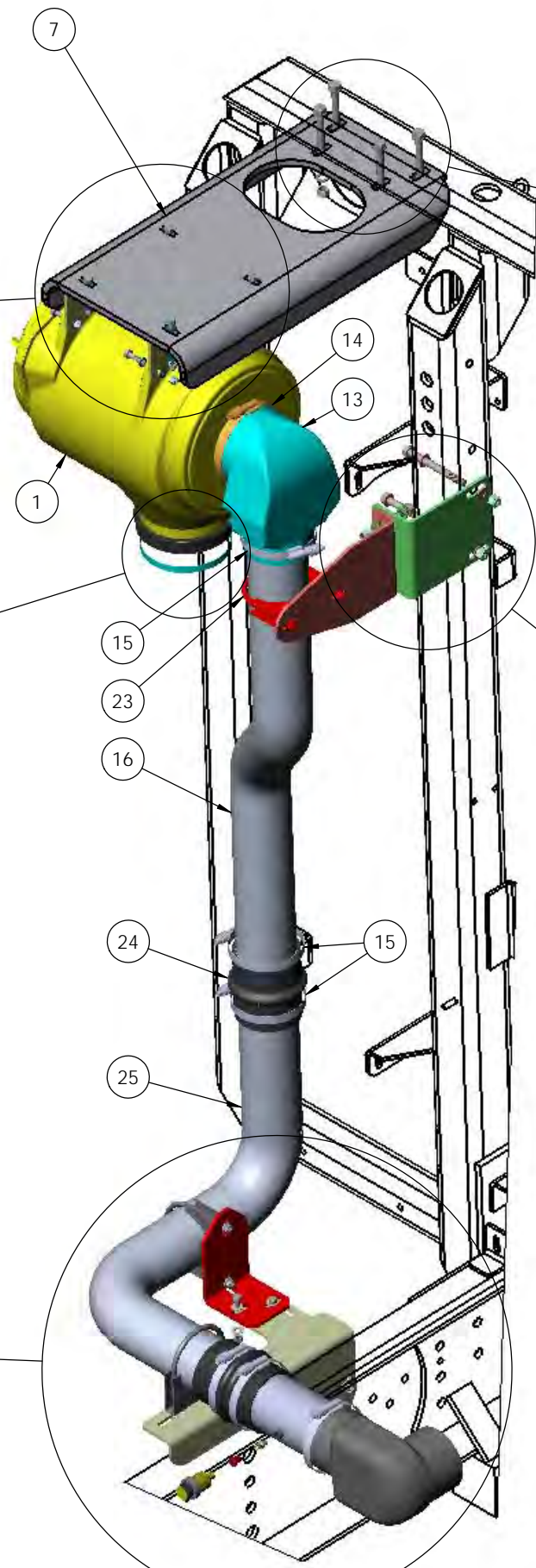


DETAIL B  
SCALE 2 : 7

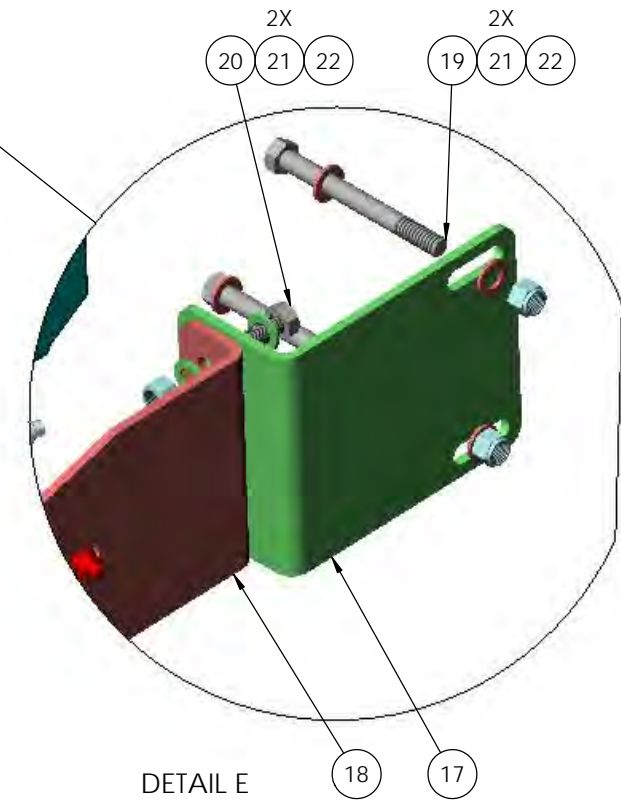


DETAIL C  
SCALE 2 : 11

23 15 33 34 35 15



DETAIL D  
SCALE 2 : 7



DETAIL E  
SCALE 7 : 20

DIMENSIONS ARE IN INCHES

TOLERANCES:  
 DECIMAL: .XX ± 0.06  
 .XXX ± 0.03  
 .XXXX ± 0.005  
 ANGULAR: ± 0.5°  
 FRACTIONAL: ± 1/32"

INTERPRET GEOMETRIC TOLERANCING PER: ASME 14.5M-1994  
 MATERIAL:  
 FINISH:  
 THICKNESS:

NAME	DATE
DRAWN SMB	09/23/2015
REVISED MPC	06/30/2016
APPROVED	

DO NOT SCALE DRAWING

THE SUBJECT MATTER SHOWN AND DESCRIBED IN THIS DRAWING AND ANY OTHER INFORMATION ADVANCED IN CONNECTION THEREWITH IS PROPRIETARY PROPERTY AND IS TO BE HELD IN STRICT CONFIDENCE BY YOU. ALL RIGHTS TO ANY INVENTIONS, DESIGNS, TRADE MARKS, TRADE NAMES AND COPYRIGHTS DISCLOSED ARE RESERVED TO TICO TERMINAL SERVICES, INC.

TICO/TERMINAL SERVICE 66 CYPRESS RIDGE DR. RIDGELAND, SC 29936 (843) 717-2226	
TITLE: ASSEMBLY, SYSTEM, AIR INTAKE	
SIZE C	DWG. NO. 72597-B1
REV	
SHEET 1 OF 1	

TICO PRO-SPOTTER				
S/N:		ASSEMBLY, SYSTEM, AIR INTAKE		72597
ITEM	PART #	QTY/M	DESCRIPTION	
	72597-B1	REF	ASSEMBLY, SYSTEM, AIR INTAKE	
1	61971	1	AIR FILTER, 13" DIAMETER	
2	12642-1	2	LOWER BRACKET, AIR FILTER	
3	82405	4	BOLT, HEX HEAD, 3/8-16 X 1 3/4 LONG	
4	82394	4	BOLT, HEX HEAD, 3/8-16 X 1 1/2 LONG	
5	85091	16	WASHER, FLAT, 3/8-16	
6	85025	8	LOCKNUT, NYLON, 3/8-16	
7	12642	1	MOUNT BRACKET, AIR FILTER	
8	82528	4	BOLT, HEX HEAD, 1/2-13 X 4 1/2 LONG	
9	85093	8	WASHER, FLAT, 1/2-13	
10	85027	4	LOCKNUT, NYLON, 1/2-13	
11	40673	1	SCREEN, AIR FILTER, 6"	
12	40675	1	CLAMP, WORM GEAR, STAINLESS STEEL, 6" - 7.5" ID	
13	61976	1	ELBOW, COBRA REDUCER, 5" TO 4"	
14	40190-1	1	CLAMP, CONSTANT TORQUE, 5"	
15	40190	7	CLAMP, CONSTANT TORQUE, 4"	
16	61977	1	TUBE, HOSE TO AIR CLEANER	
17	62057	1	BRACKET, FRAME, AIR INTAKE	
18	62058	1	BRACKET, TUBE, AIR INTAKE	
19	82550	2	BOLT, HEX HEAD, 1/2-13 X 5 LONG	
20	82385	2	BOLT, HEX HEAD, 1/2-13 X 1 1/4 LONG	
21	85093	8	WASHER, FLAT, 1/2-13	
22	85027	4	LOCKNUT, NYLON, 1/2-13	
23	40066	3	CLAMP, SADDLE, 4"	
24	40170-16	3	HOSE, HUMP	
25	61978	1	TUBE, AIR INTAKE (HUMP HOSE TO HUMP HOSE)	
26	12932	1	MOUNT BRACKET, AIR INTAKE TUBE (UNDER HUMPHOSE TO FRAME)	
27	12444-5	1	MOUNT BRACKET, AIR INTAKE TUBE (TUBE TO FRAME)	
28	82394	5	BOLT, HEX HEAD, 3/8-16 X 1 1/2 LONG	
29	85091	10	WASHER, FLAT, 3/8-16	
30	85025	5	LOCKNUT, NYLON, 3/8-16	
31	40689	1	TUBE, HUMP TO COBRA	
32	62276	1	ELBOW, COBRA, RUBBER, 90°, 4 X 4	
33	40627	1	MINDERGAGE, AIR FILTER	
34	60487-2	1	HEX NIPPLE, 1/8 NPT X 1/8 NPT	
35	40813	1	REDUCER, 1/4 NPT TO 1/8 NPT	
REV	DATE	BY		SHEET
B	06/30/2016	MPC		1 OF 1

TICO MANUFACTURING - RIDGELAND, SC 29936