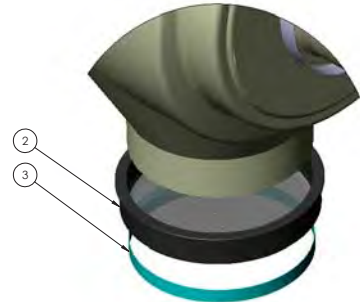
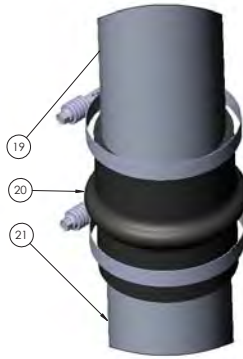


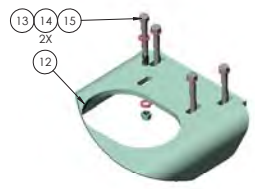
DETAIL C
SCALE 1 : 5



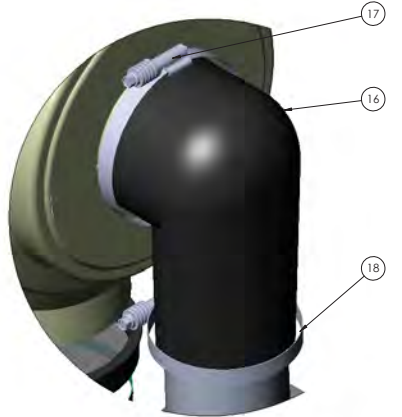
DETAIL B
SCALE 1 : 2



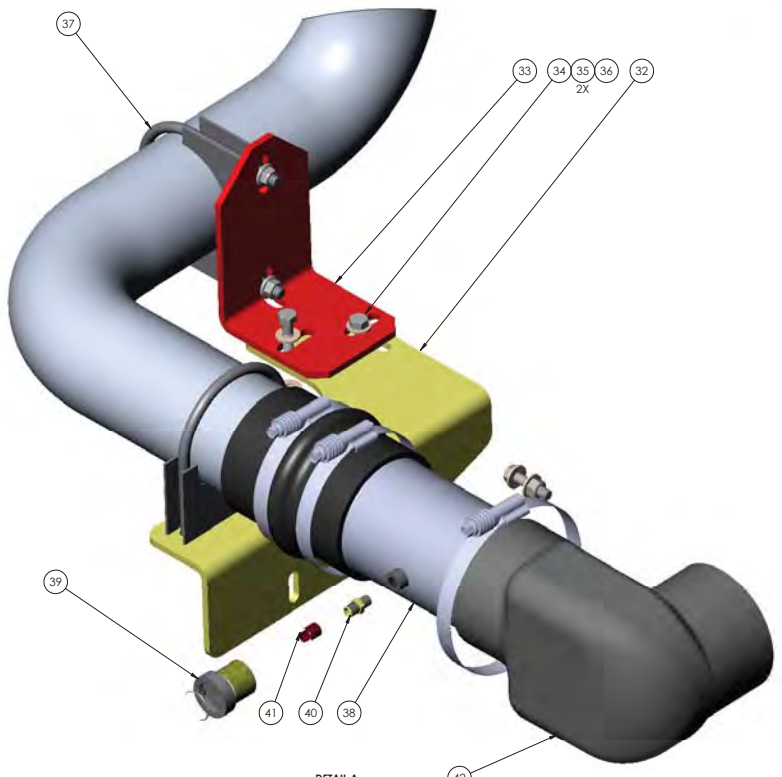
DETAIL I
SCALE 1 : 2



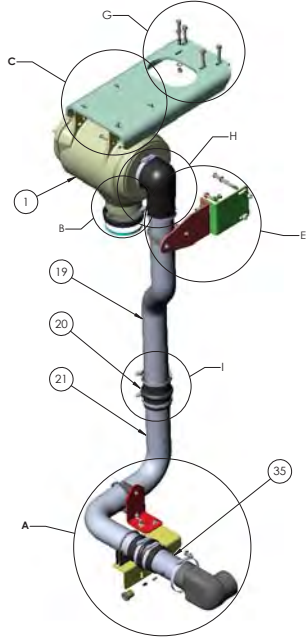
DETAIL G
SCALE 1 : 5



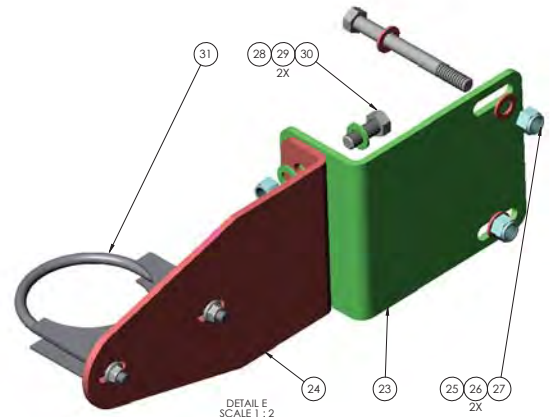
DETAIL H
SCALE 1 : 2



DETAIL A
SCALE 1 : 2




DETAIL E
SCALE 1 : 2



DETAIL F
SCALE 1 : 2

UNITS: DIMENSIONS ARE IN INCHES	DATE:	3/1/2016	SCALE:	1:50
TOLERANCES:	DESIGN:	CP	DATE:	3/1/2016
DECIMAL:	XXX. X	0.04	REVISED:	CPX
FRACTIONAL:	XXX. X	0.00	DATE:	3/1/2016
ANGULAR:	1	0.1°	APPROVED:	
FUNCTIONAL:	2	0.1°		
ASSEMBLY GEOMETRIC COLLINEARITY	DO NOT SCALE DRAWING			
REF. NAME: AIAA 1074	THE SUBJECT MATTER SHOWN AND DESCRIBED IN THE DRAWING AND ANY OTHER MATERIALS, INCLUDING BUT NOT LIMITED TO, PATENT RIGHTS, TRADEMARKS, AND SERVICE MARKS, ARE THE PROPERTY OF THE COMPANY AND SHALL REMAIN THE PROPERTY OF THE COMPANY. ALL RIGHTS TO ANY INVENTION OR DESIGN, INCLUDING TRADE SECRETS, ARE RESERVED TO THE COMPANY. AIR SYSTEMS TO NOT BE REPRODUCED OR USED FOR ANY OTHER PURPOSE WITHOUT THE WRITTEN PERMISSION OF THE COMPANY.			
DESIGN:	SCALE:	DWG. NO.:	REV:	
DRAWN:	1:50	72597-B		
CHECKED:				


 TITLE: AIR INTAKE SYSTEM
 QSB TIER 3
 SIZE: D
 SCALE: 1:50
 WEIGHT: 5827.97
 SHEET 1 OF 1

TICO PRO-SPOTTER

S/N:	AIR INTAKE SYSTEM - QSB TIER III	72597
-------------	---	--------------

ITEM	PART #	QTY/M	DESCRIPTION	TASK
	72596-A1	REF	AIR INTAKE SYSTEM, QSB TIER III	
1	61971	1	FILTER, AIR, DONALDSON 13" DIAMETER	
	61972	REF	ELEMENT, PRIMARY	
	61973	REF	ELEMENT, SAFETY	
2	40673	1	SCREEN , 6" AIR FILTER	
3	40675	1	CLAMP, WORM GEAR, STAINLESS STEEL, 6" to 7.5" INSIDE DIAMTER	
4	12642-1	2	BRACKET, LOWER, FILTER	
5	82394	4	BOLT, HEX, 3/8-16 NC X 1-3/4 LONG	
6	85091	16	WASHER, FLAT, 3/8	
7	85025	8	NUT, LOCK, NYLON, 3/8-16 NC	
8	12642-1	2	BRACKET, LOWER, FILTER	
9	82405	4	BOLT, HEX, 3/8-16 NC X 1-3/4 LONG	
10	85091	16	WASHER, FLAT, 3/8	
11	85025	8	NUT, LOCK, NYLON, 3/8-16 NC	
12	12642	1	BRACKET, AIR FILTER MOUNT	
13	82528	4	BOLT, HEX, 1/2-13 NC X 4-1/2 LONG	
14	85093	16	WASHER, FLAT, 1/2	
15	85027	8	NUT, LOCK, NYLON, 1/2-13 NC	
16	61976	1	ELBOW, RUBBER COBRA REDUCER, 5" TO 4"	
17	40190-1	1	CLAMP, 5" CONSTANT TORQUE	
18	40190	1	CLAMP, 4" CONSTANT TORQUE	
19	61977	1	TUBE, HUMP HOSE TO AIR CLEANER	
20	40170-16	3	HUMP HOSE	
21	61978	1	TUBE, AIR INTAKE ANGLE	
22	40190	2	CLAMP, 4" CONSTANT TORQUE	
23	62057	1	BRACKET, AIR INTAKE, UPPER	
24	62058	1	SUPPORT, AIR INTAKE, UPPER	
25	82550	2	BOLT, HEX, 1/2-13 NC X 5 LONG	
26	85093	16	WASHER, FLAT, 1/2	
27	85027	8	NUT, LOCK, NYLON, 1/2-13 NC	
REV	DATE	BY		SHEET
B	2/29/2016	DFM		1 OF 2

