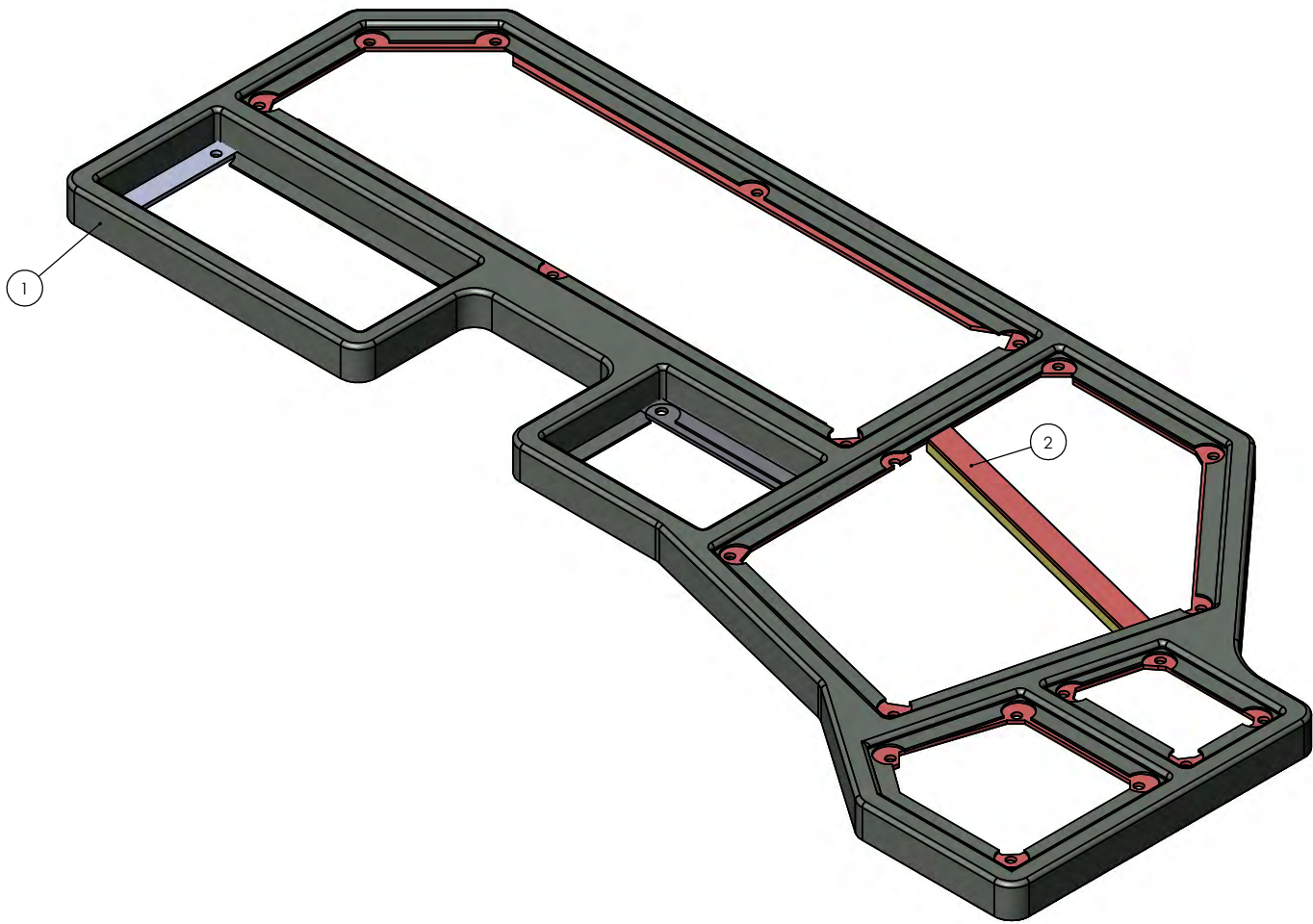


DIMENSIONS ARE IN INCHES		NAME	DATE	TICO MANUFACTURING 44 CYPRESS RIDGE DR. ROSELAND, SC 29724 (843) 717-2224
TOLERANCES:		DRAWN	ADW	
DECIMAL	.0005	BY	8/104	CHECKED
FRACTIONAL	1/16"	XXX	8/103	
ANGULAR	± 0.1°	XXX	8/103	APPROVED
FRACTIONAL	± 1/32"	XXX	8/103	
DO NOT SCALE DRAWING		THE SUBJECT MATTER SHOWN AND DESCRIBED IN THIS DRAWING AND ANY OTHER INFORMATION CONTAINED HEREIN IS THE PROPERTY OF TICO MANUFACTURING AND IS TO BE USED ONLY FOR THE PURPOSES SPECIFIED HEREIN. ALL RIGHTS TO ANY PATENTS, TRADEMARKS, OR OTHER INTELLECTUAL PROPERTY ARE RESERVED BY TICO MANUFACTURING.		
DATE	N/A	SIZE	DWG. NO.	REV
ISSUE	SEE NOTE	D	72591-A1	
REVISION	N/A	SCALE	1:1	WEIGHT: 19.69
				SHEET 1 OF 1

D 72591-A1

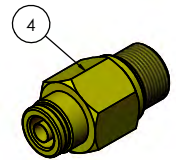
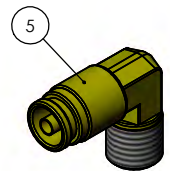
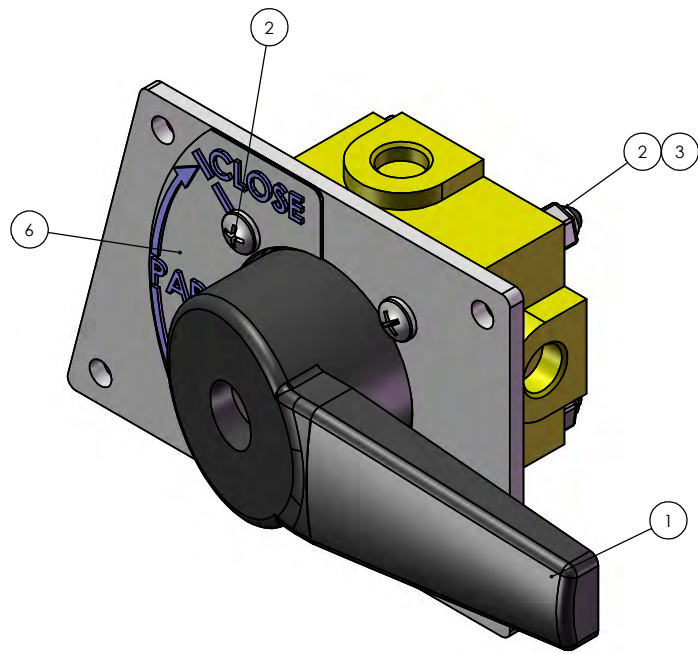




DIMENSIONS ARE IN INCHES		NAME	DATE	TICO MANUFACTURING
TOLERANCES:		DRAWN	ADW	6/16/22/2020
DECIMAL	.XX	CHECKED		66 CYPRESS RIDGE DR. ROCKLAND, SC 29574 TICORFACTORS.COM
FRACTIONAL	1/16	APPROVED		
ANGULAR	± 0.1°	DO NOT SCALE DRAWING		
HORIZONTAL DIMENSIONS TO CENTERLINE UNLESS OTHERWISE SPECIFIED		THE SUBJECT MATTER SHOWN AND DESCRIBED IN THIS DRAWING AND ANY OTHER INFORMATION CONTAINED IN CONNECTION HEREWITH IS TO BE REPRODUCED IN WHOLE OR IN PART WITHOUT THE WRITTEN CONSENT OF TICO MANUFACTURING AND ANY OTHER PARTY WHOSE RIGHTS ARE RESERVED BY THIS DRAWING.		
DATE		SIZE	DWG. NO.	REV
DRAWN		D	72591-A1	
CHECKED		SCALE: 1:4	WEIGHT: 7.29	SHEET 1 OF 1

D 72591-A1



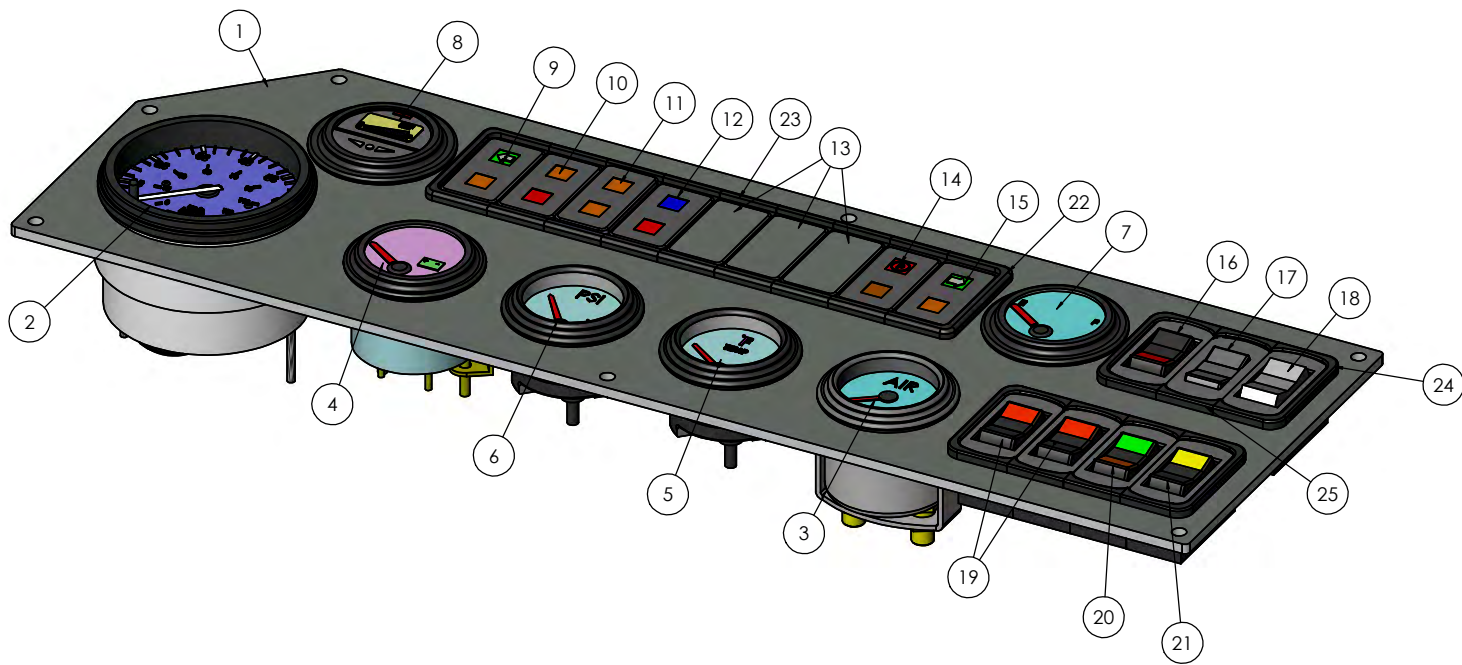


DIMENSIONS ARE IN INCHES		NAME	DATE	TICO MANUFACTURING
TOLERANCES:	DECIMAL	DRAWN	ADW	6/16/22/2020
	.0005	CHECKED		44 CYPRESS ROUGE DR.
	.001	APPROVED		ROCKLAND, NC 27854
	.002			TICORACTORS.COM
	.005			
	.010			
	.015			
	.020			
	.030			
	.040			
	.050			
	.060			
	.070			
	.080			
	.090			
	.100			
	.125			
	.150			
	.175			
	.200			
	.250			
	.300			
	.375			
	.500			
	.625			
	.750			
	.875			
	1.000			
	1.250			
	1.500			
	1.750			
	2.000			
	2.500			
	3.000			
	3.500			
	4.000			
	4.500			
	5.000			
	5.500			
	6.000			
	6.500			
	7.000			
	7.500			
	8.000			
	8.500			
	9.000			
	9.500			
	10.000			
	10.500			
	11.000			
	11.500			
	12.000			
	12.500			
	13.000			
	13.500			
	14.000			
	14.500			
	15.000			
	15.500			
	16.000			
	16.500			
	17.000			
	17.500			
	18.000			
	18.500			
	19.000			
	19.500			
	20.000			
	20.500			
	21.000			
	21.500			
	22.000			
	22.500			
	23.000			
	23.500			
	24.000			
	24.500			
	25.000			
	25.500			
	26.000			
	26.500			
	27.000			
	27.500			
	28.000			
	28.500			
	29.000			
	29.500			
	30.000			
	30.500			
	31.000			
	31.500			
	32.000			
	32.500			
	33.000			
	33.500			
	34.000			
	34.500			
	35.000			
	35.500			
	36.000			
	36.500			
	37.000			
	37.500			
	38.000			
	38.500			
	39.000			
	39.500			
	40.000			
	40.500			
	41.000			
	41.500			
	42.000			
	42.500			
	43.000			
	43.500			
	44.000			
	44.500			
	45.000			
	45.500			
	46.000			
	46.500			
	47.000			
	47.500			
	48.000			
	48.500			
	49.000			
	49.500			
	50.000			
	50.500			
	51.000			
	51.500			
	52.000			
	52.500			
	53.000			
	53.500			
	54.000			
	54.500			
	55.000			
	55.500			
	56.000			
	56.500			
	57.000			
	57.500			
	58.000			
	58.500			
	59.000			
	59.500			
	60.000			
	60.500			
	61.000			
	61.500			
	62.000			
	62.500			
	63.000			
	63.500			
	64.000			
	64.500			
	65.000			
	65.500			
	66.000			
	66.500			
	67.000			
	67.500			
	68.000			
	68.500			
	69.000			
	69.500			
	70.000			
	70.500			
	71.000			
	71.500			
	72.000			
	72.500			
	73.000			
	73.500			
	74.000			
	74.500			
	75.000			
	75.500			
	76.000			
	76.500			
	77.000			
	77.500			
	78.000			
	78.500			
	79.000			
	79.500			
	80.000			
	80.500			
	81.000			
	81.500			
	82.000			
	82.500			
	83.000			
	83.500			
	84.000			
	84.500			
	85.000			
	85.500			
	86.000			
	86.500			
	87.000			
	87.500			
	88.000			
	88.500			
	89.000			
	89.500			
	90.000			
	90.500			
	91.000			
	91.500			
	92.000			
	92.500			
	93.000			
	93.500			
	94.000			
	94.500			
	95.000			
	95.500			
	96.000			
	96.500			
	97.000			
	97.500			
	98.000			
	98.500			
	99.000			
	99.500			
	100.000			

**TICO** MANUFACTURING  
 44 CYPRESS ROUGE DR.  
 ROCKLAND, NC 27854  
 TICORACTORS.COM  
 TITLE: ASSEMBLY, PANEL DASH  
 DOOR VALVE  
 SIZE DWG. NO. REV  
**D** 72591-A1  
 SCALE: 1:1 WEIGHT: SHEET 1 OF 1

D 72591-A1

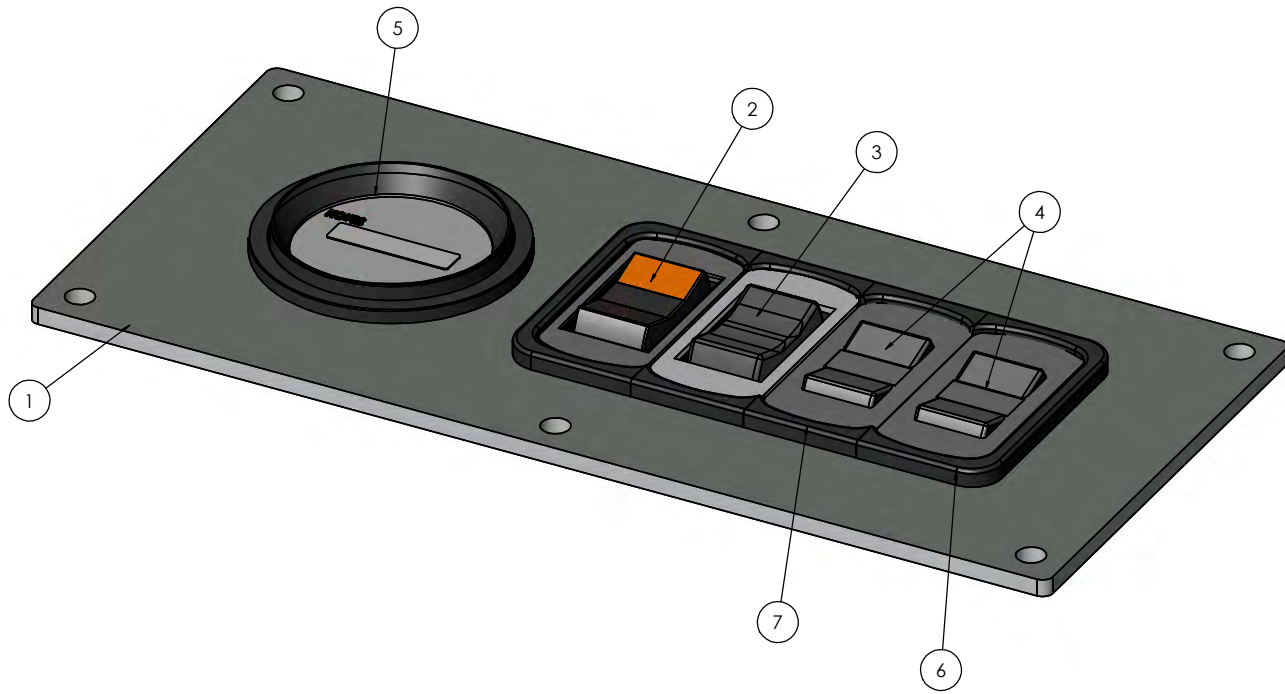




DIMENSIONS ARE IN INCHES		NAME	DATE	TICO MANUFACTURING
TOLERANCES:		DRAWN	AGW	66 CYPRESS RIDGE DR.
DECIMAL	.005	CHECKED		ROCKLAND, NC 28154
FRACTIONAL	1/32	APPROVED		TICORACTORS.COM
ANGULAR	± 1.0°	DO NOT SCALE DRAWING		
INSURE GEOMETRIC TOLERANCING PER ASME Y14.5M-1994				
THE SUBJECT MATTER SHOWN AND DESCRIBED IN THIS DRAWING AND ANY OTHER INFORMATION CONTAINED IN CONNECTION HEREWITH IS TO BE CONSIDERED TO BE THE PROPERTY OF TICO MANUFACTURING AND IS TO BE KEPT IN CONFIDENCE BY ALL PERSONS TO WHOM IT IS FURNISHED AND NO PART THEREOF IS TO BE REPRODUCED OR TRANSMITTED IN ANY FORM OR BY ANY MEANS, ELECTRONIC OR MECHANICAL, INCLUDING PHOTOCOPYING, RECORDING, OR BY ANY INFORMATION STORAGE AND RETRIEVAL SYSTEM WITHOUT THE WRITTEN PERMISSION OF TICO MANUFACTURING.				
TITLE:	PANEL ASSY SPEEDO GAUGES INDICATORS WIPERS		SIZE	DWG. NO. 72591-A1
SCALE:	1:2	WEIGHT:	3.26	SHEET 1 OF 1

D 72591-A1





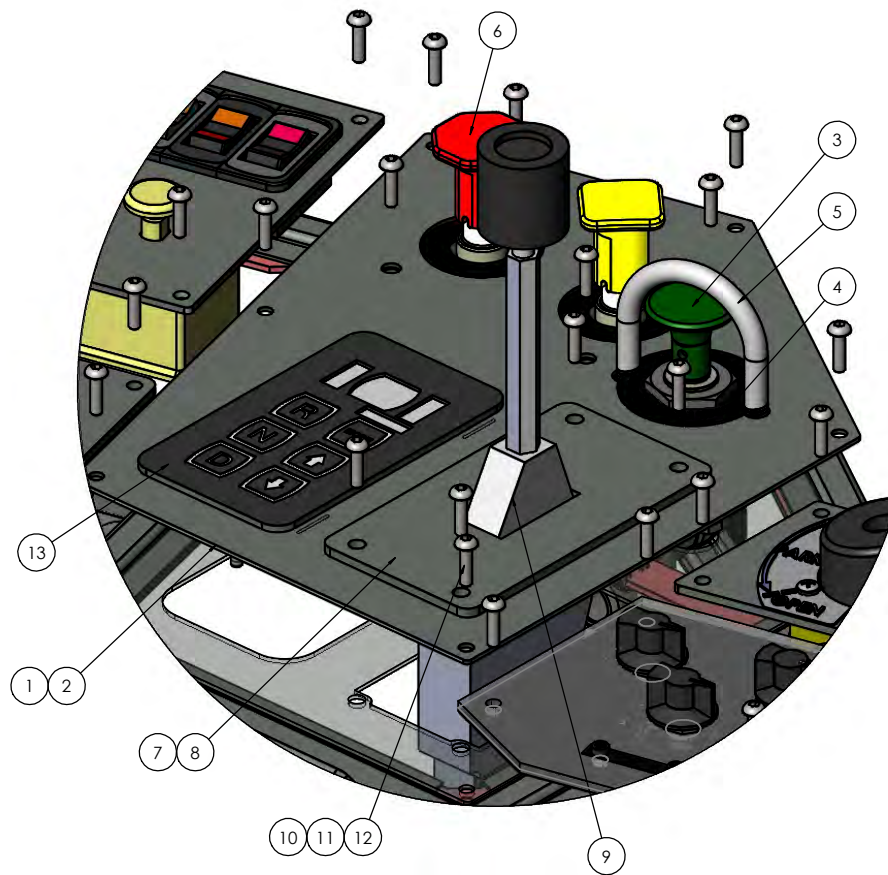
DIMENSIONS ARE IN INCHES		NAME	DATE	TICO MANUFACTURING
TOLERANCES:		DRAWN	ADW	04/09/2020
DECIMAL	.0005	CHECKED		44 CYPRESS RIDGE DR.
FRACTIONAL	1/32	APPROVED		ROCKLAND, NC 27854
ANGULAR	± 0.1°			TICORACTORS.COM
FUNCTIONAL	± 0.001	DO NOT SCALE DRAWING		
INSURE GEOMETRIC TOLERANCING		THE SUBJECT MATTER SHOWN AND		TITLE
PER ASME Y14.5M-1994		DESCRIBED IN THIS DRAWING AND ANY		ASSY PANEL
		OTHER REFERENCE IS INVOLVED IN		HOURLY/DIAGNOSTIC -
		CONSTRUCTION ASSEMBLY IS		ISB
		REPRODUCED IN THIS DRAWING TO BE		SIZE   DWG. NO.
		USED FOR CONSTRUCTION OF THE		D   72591-A1
		ALL RIGHTS TO ANY PATENTS OR		REV
		OTHER INTELLECTUAL PROPERTY		
		HEREIN ARE HEREBY RESERVED		SCALE: 1:1   WEIGHT: 0.48   SHEET 1 OF 1

D 72591-A1









DIMENSIONS ARE IN INCHES		NAME	DATE	TICO MANUFACTURING
TOLERANCES:	DECIMAL	DRAWN	ADW	6/6/22/2020
	.005	CHECKED		66 CYPRESS RIDGE DR.
	.010	APPROVED		ROCKLAND, SC 29574
	.015	DO NOT SCALE DRAWING		TICORACTORS.COM
	.020			
ANGULAR:	± 1.0°	THE SUBJECT MATTER SHOWN AND DESCRIBED IN THIS DRAWING AND ANY OTHER INFORMATION CONTAINED IN CONNECTION HEREWITH IS TO BE CONSIDERED TO BE THE PROPERTY OF TICO MANUFACTURING AND SHALL REMAIN THE PROPERTY OF TICO MANUFACTURING. NO PARTS TO ANY INSTRUMENT OR MACHINE SHALL BE REPRODUCED OR TRANSMITTED IN ANY FORM OR BY ANY MEANS, AND ANY UNAUTHORIZED REPRODUCTION OR TRANSMISSION IS STRICTLY PROHIBITED.		
FRONTAL:	± .005	TITLE: DASH PANEL-PB SHIFTER/HEATER/MV3/ELEC		
ISO/FIRST ANGLE OR THIRD ANGLE OR OTHER:		SIZE DWG. NO. 72591-A1		
ISO/FIRST ANGLE OR THIRD ANGLE OR OTHER:		REV		
ISO/FIRST ANGLE OR THIRD ANGLE OR OTHER:		SCALE: 1:4   WEIGHT: 23.22   SHEET 1 OF 1		
ISO/FIRST ANGLE OR THIRD ANGLE OR OTHER:				

D 72591-A1





DIMENSIONS ARE IN INCHES		NAME	DATE	TICO MANUFACTURING
TOLERANCES:		DRAWN	ADW	04/22/2020
DECIMAL	.005	CHECKED		44 CYPRESS RIDGE DR.
FRACTIONAL	1/32	APPROVED		ROCKLAND, NC 27854
ANGULAR	± 0.1°			TICORACTORS.COM
FUNCTIONAL	± 0.005			
		DO NOT SCALE DRAWING		
INSURE GEOMETRIC TOLERANCING PER ASME Y14.5M		THE SUBJECT MATTER SHOWN AND DESCRIBED IN THIS DRAWING AND ANY OTHER REFERENCE TO INVENTIONS IN CONNECTION HERWITH IS TO BE CONSIDERED TO BE THE PROPERTY OF TICO MANUFACTURING AND NO PARTS OR INFORMATION THEREIN ARE TO BE REPRODUCED OR TRANSMITTED IN ANY FORM OR BY ANY MEANS, ELECTRONIC OR MECHANICAL, INCLUDING PHOTOCOPYING, RECORDING, OR BY ANY INFORMATION STORAGE AND RETRIEVAL SYSTEM, WITHOUT PERMISSION IN WRITING FROM TICO MANUFACTURING.		
NOTE: All dimensions are to be taken from the drawing unless otherwise specified.		SIZE	DWG. NO.	REV
		D	72591-A1	
		SCALE: 1:1	WEIGHT: 0.27	SHEET 1 OF 1

D 72591-A1

