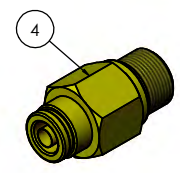
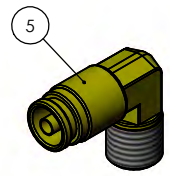
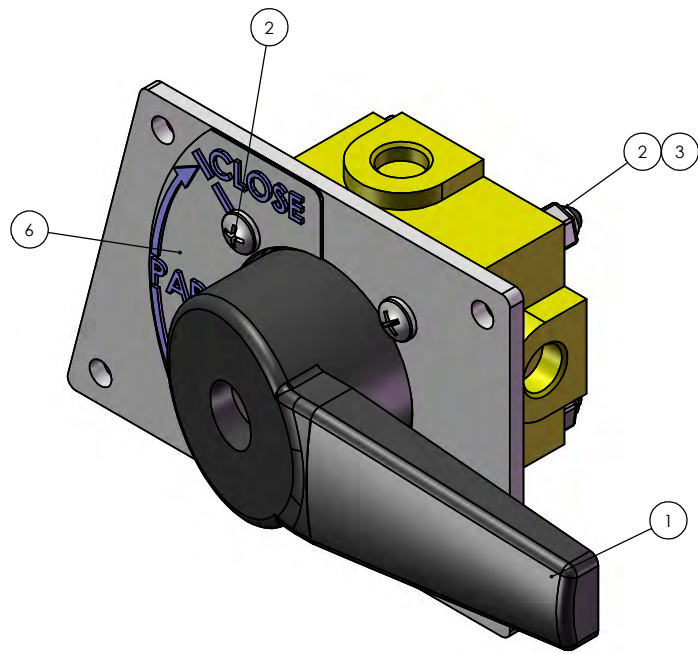


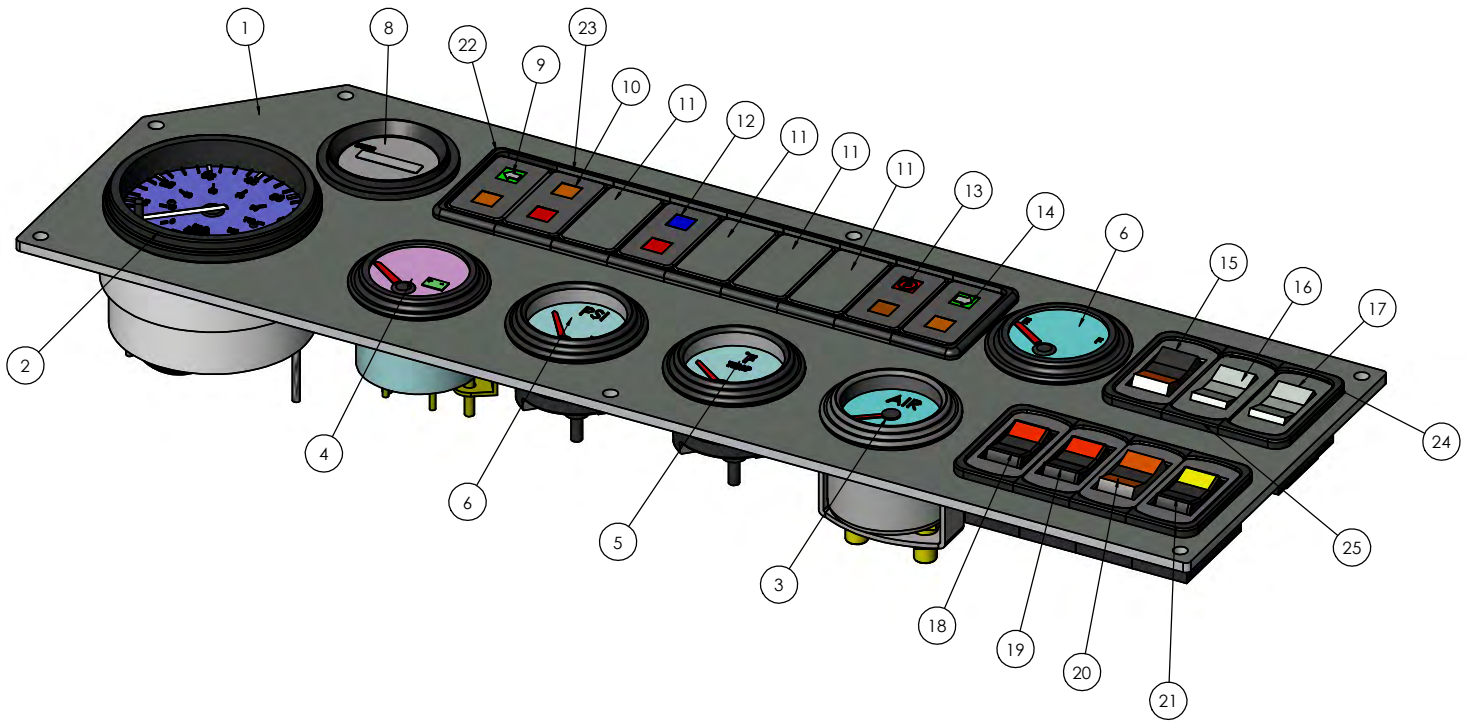
DIMENSIONS ARE IN INCHES		NAME	DATE	TCCO MANUFACTURING 44 CYPRESS RIDGE DR. ROCKLAND, SC 29734 (843) 717-2226
TOLERANCES:		DRAWN	ADW	
DECIMAL	.0005	BY	8/18	CHECKED
FRACTIONAL	1/16"	XXX	8/10/21	
ANGULAR	± 0.1°	XXX	8/10/21	APPROVED
FRACTIONAL	± 1/32"	XXX	8/10/21	
DO NOT SCALE DRAWING				
THE SUBJECT MATTER SHOWN AND DESCRIBED IN THIS DRAWING AND ANY OTHER REPRESENTATION INDICATED IN CONNECTION HEREWITH IS TO BE REPRODUCED EXACTLY AS SHOWN. ALL RIGHTS TO ANY PATENTS, TRADE MARKS, OR OTHER INTELLECTUAL PROPERTY ARE RESERVED BY TCCO MANUFACTURING. THIS DRAWING IS NOT TO BE REPRODUCED OR TRANSMITTED IN ANY FORM OR BY ANY MEANS, ELECTRONIC OR MECHANICAL, INCLUDING PHOTOCOPYING, RECORDING, OR BY ANY INFORMATION STORAGE AND RETRIEVAL SYSTEM, WITHOUT PERMISSION IN WRITING FROM TCCO MANUFACTURING.				
DATE	N/A	SIZE	DWG. NO.	REV
ISSUE	SEE NOTE	D	72589-A1	
REVISION	N/A	SCALE	1:4	WEIGHT: 19.69
				SHEET 1 OF 1

72589-A1



DIMENSIONS ARE IN INCHES		NAME	DATE	TICO MANUFACTURING
TOLERANCES:	DECIMAL	DRAWN	ADW	06/22/2020
	.005	CHECKED		44 CYPRESS RIDGE DR.
	.010	APPROVED		ROCKLAND, SC 29574
	.015			TICORACTORS.COM
	.030			
	.060			
	.125			
ANGULAR:	± 1.0°	DO NOT SCALE DRAWING		
FRACTIONAL:	± .005	THE SUBJECT MATTER SHOWN AND		
		DESCRIBED IN THIS DRAWING AND ANY		
		OTHER REFERENCE IS UNLESS IN		
		CONNECTION OTHERWISE TO BE		
		RECORDED PROTECTIVE TO BE		
		MAINTAINED AND CONSIDERED AS		
		ALL RIGHTS TO ANY INVENTION		
		HEREIN RESERVED AND WILL BE		
		REGISTERED AND PROTECTED		
		AND BEING USED BY TICO MANUFACTURING		
		OR ANY OF ITS AFFILIATES		
TICO		TITLE:		ASSEMBLY, PANEL DASH
DOOR VALVE		SIZE:		D
DWG. NO.:		72589-A1		REV
SCALE:		1:1		WEIGHT:
SHEET 1 OF 1				

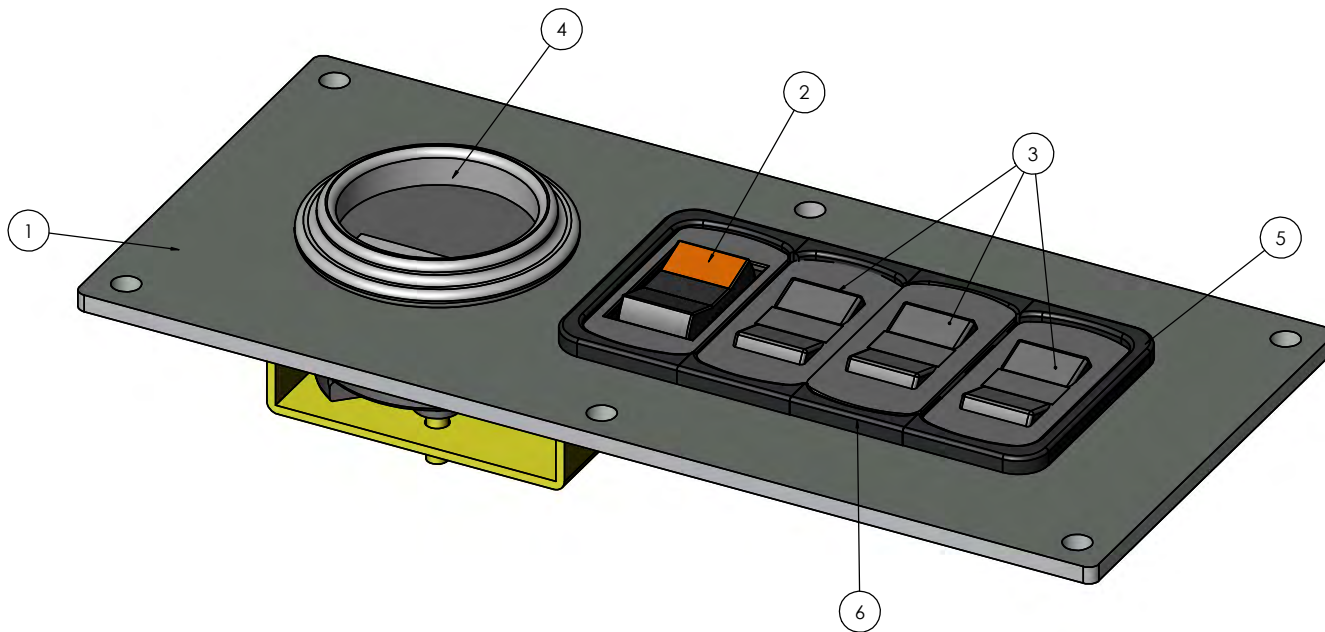
D 72589-A1



DIMENSIONS ARE IN INCHES		NAME	DATE	TICO MANUFACTURING
TOLERANCES:	DECIMAL	DRAWN	ADW	66 CYPRESS RIDGE DR.
	.005	CHECKED		ROSELAND, NC 28584
	.010	APPROVED		TICORACTORS.COM
	.015			
	.020			
ANGULAR:	± 1.0°	DO NOT SCALE DRAWING		
FRACTIONAL:	± .005	THE SUBJECT MATTER SHOWN AND		
		DESCRIBED IN THIS DRAWING AND ANY		
		OTHER REFERENCE, IS ADVANCED BY		
		CONTRACTOR RESPONSIBILITY TO BE		
		REVIEWED FOR CONFORMANCE WITH		
		ALL RIGHTS TO ANY PATENTS OR		
		OTHER INTELLECTUAL PROPERTY		
		HEREIN ARE RESERVED BY TICO MANUFACTURING		
		AND CONSTRUCTION OF THIS		
		DRAWING IS NOT TO BE REPRODUCED		
		WITHOUT THE WRITTEN PERMISSION OF		
		TICO MANUFACTURING		

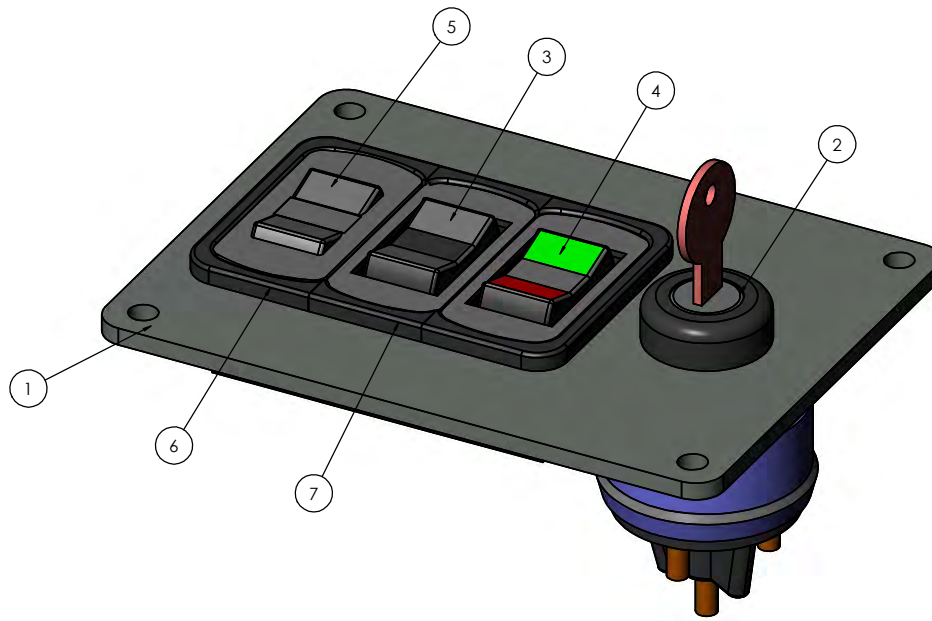
TICO
 TITLE: PANEL ASSEMBLY, QSB TIER 4i
 EXTENDED INDICATOR
 SIZE: DWG. NO. 72589-A1
 SCALE: 1:2 WEIGHT: 3.95 SHEET 1 OF 1

72589-A1



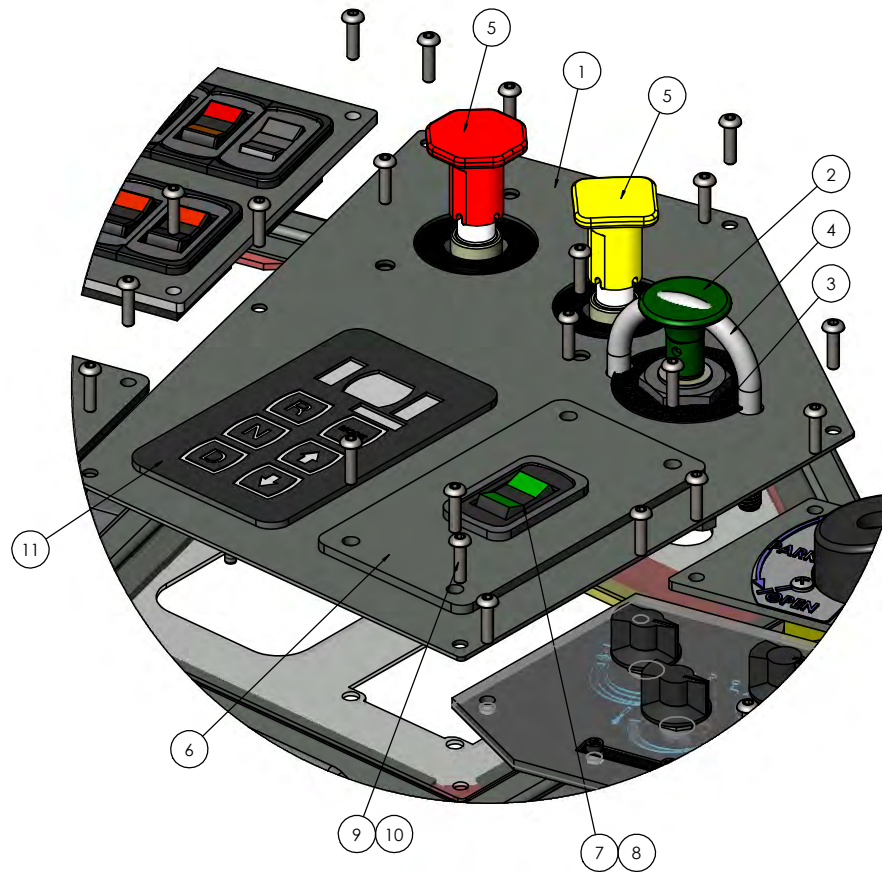
DIMENSIONS ARE IN INCHES		NAME	DATE	TICO MANUFACTURING
TOLERANCES:		DRAWN	ADW	11/24/11
DECIMAL	.0005	CHECKED		44 CYPRESS RIDGE DR.
FRACTIONAL	1/16	APPROVED		ROCKLAND, NC 27854
ANGULAR	± 0.1°			TICORFACTORS.COM
FUNCTIONAL	± 0.005	DO NOT SCALE DRAWING		
INSPECTOR DOCUMENT COLORWORKING FOR NAME & DATE ONLY		THE SUBJECT MATTER SHOWN AND DESCRIBED IN THIS DRAWING AND ANY OTHER INFORMATION CONTAINED HEREIN IS THE PROPERTY OF TICO MANUFACTURING AND IS TO BE USED ONLY FOR THE PURPOSES SPECIFIED HEREIN. NO OTHER REPRODUCTION OR TRANSMISSION IS PERMITTED WITHOUT THE WRITTEN CONSENT OF TICO MANUFACTURING.		TITLE
				ASSY PANEL
				HOURLY/DIAGNOSTIC -
				ISB 10 KPH
		SIZE	DWG. NO.	REV
		D	72589-A1	
		SCALE: 1:1	WEIGHT: 0.55	SHEET 1 OF 1

D 72589-A1



DIMENSIONS ARE IN INCHES		NAME	DATE	TICO MANUFACTURING	
TOLERANCES:		DRAWN	ADW	04/22/2020	
DECIMAL	.005	CHECKED		44 CYPRESS RIDGE DR.	
ANGULAR	.01°	APPROVED		ROCKLAND, NC 27854	
FRACTIONAL	1/32	DO NOT SCALE DRAWING		TICORACTORS.COM	
WIRE GAUGE	AS SHOWN	THE SUBJECT MATTER SHOWN AND DESCRIBED IN THIS DRAWING AND ANY OTHER INFORMATION CONTAINED IN CONNECTION HEREWITH IS TO BE CONSIDERED A CONFIDENTIAL TRADE SECRET AND PROPRIETARY INFORMATION. NO PARTS TO ANY INSTRUMENT OR MACHINE, AND COMPONENTS THEREOF, ARE TO BE REPRODUCED OR USED IN ANY MANNER WITHOUT THE WRITTEN PERMISSION OF TICO MANUFACTURING, INC.		TITLE	
WARRANTY	AS SHOWN	SCALE: 1:1		WEIGHT: 0.38	REV
REVISIONS		SIZE		D	72589-A1
		SCALE: 1:1		WEIGHT: 0.38	SHEET 1 OF 1

D 72589-A1



DIMENSIONS ARE IN INCHES		NAME	DATE	TICO MANUFACTURING
TOLERANCES:	DRAWN	AJW	04/22/2020	66 CYPRESS RIDGE DR.
DECIMAL	CHECKED			ROCKLAND, SC 29574
XXX & 0.015	APPROVED			TICORACTORS.COM
XXX & 0.010	DO NOT SCALE DRAWING			
FRACTIONAL	INSURE GEOMETRIC TOLERANCING			
1/16" & 1/32"	FOR DATE & DRAWN			
ANGULAR	THE SUBJECT MATTER SHOWN AND			
± 1/16"	DESCRIBED IN THIS DRAWING AND ANY			
± 1/32"	OTHER INFORMATION, IS HEREBY			
	CONVEYED TO THE BUYER AND			
	RECEIVED BY THE BUYER AS TO BE			
	ALL RIGHTS TO ANY PATENTS OR			
	TRADEMARKS, TRADE			
	MARKS AND COPYRIGHTS HEREOF			
	ARE RESERVED BY TICO MANUFACTURING			
	OR ITS AFFILIATES			

TICO
 TITLE: DASH PANEL-PB
 SHIFTER/HEATER/MV3/ELEC
 SIZE DWG. NO. 72589-A1
 SCALE: 1:4 | WEIGHT: 18.03 | SHEET 1 OF 1

72589-A1
 D

