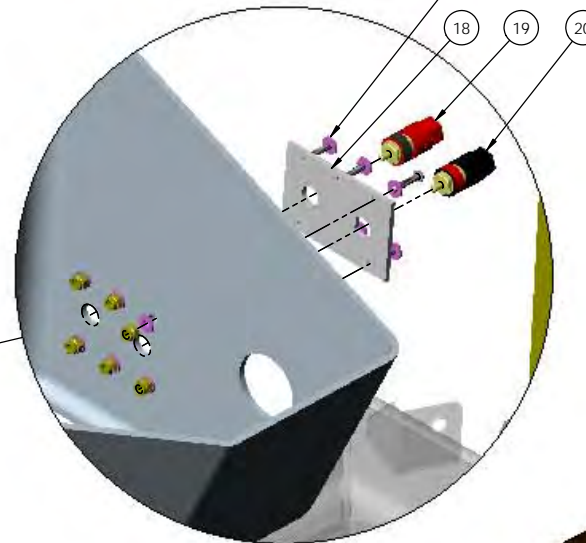
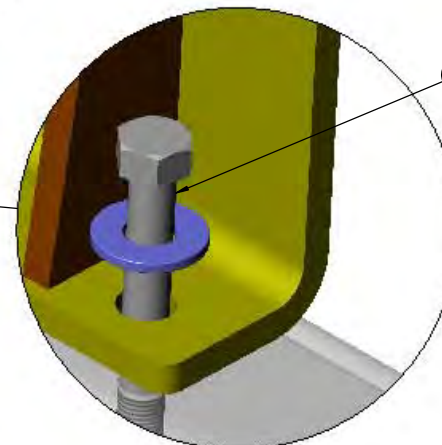




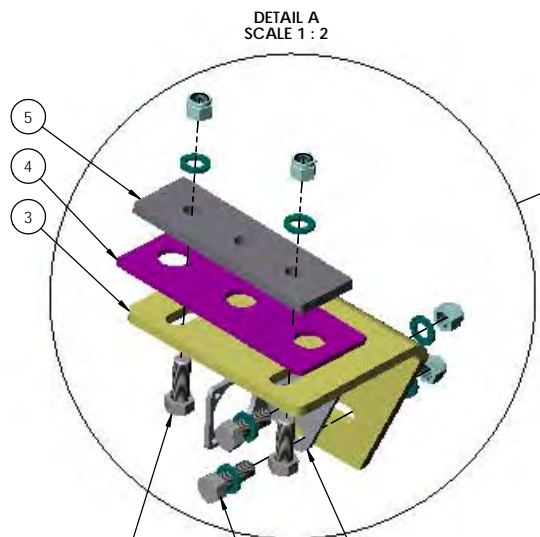
DETAIL B  
SCALE 1 : 1



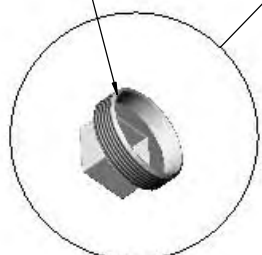
DETAIL C  
SCALE 1 : 2



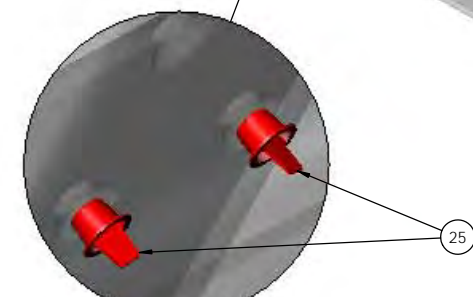
DETAIL E  
SCALE 1 : 1



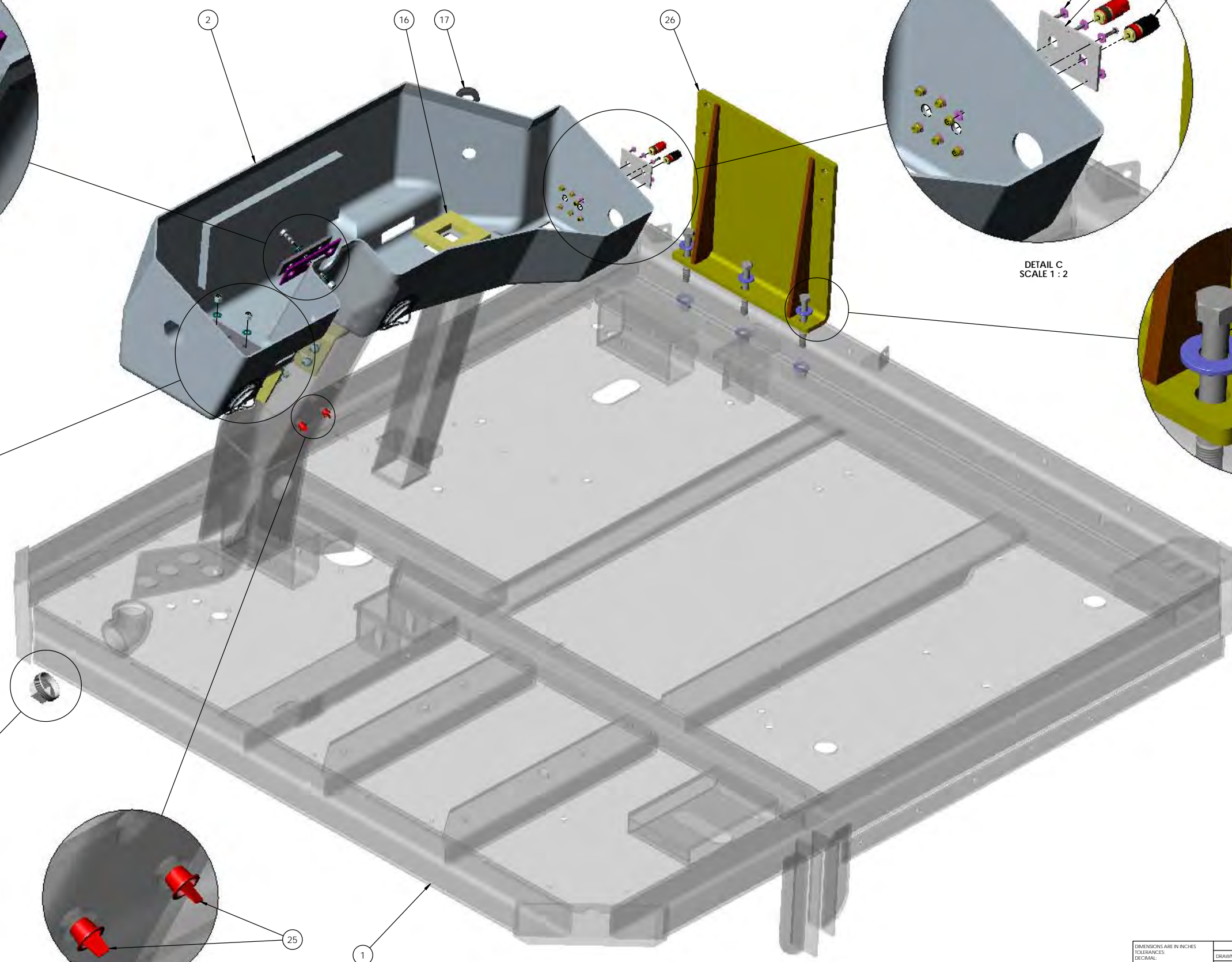
DETAIL A  
SCALE 1 : 2



DETAIL F  
SCALE 1 : 2



DETAIL D  
SCALE 1 : 1



DIMENSIONS ARE IN INCHES TOLERANCES: DECIMAL: XX ± 0.06 XXX ± 0.03 XXXX ± 0.005 ANGULAR: FRACTIONAL: ± 1/32"		NAME: RWIC DATE: 07/08/2011 REVISED: MPC DATE: 06/28/2016 APPROVED:	TICO/TERMINAL SERVICE 44 CYPRESS RIDGE DR. RIDGELAND, SC 29936 (843) 717-2226
INTERPRET GEOMETRIC TOLERANCING PER: ASME Y14.5M-1994 MATERIAL: FINISH: THICKNESS:		DO NOT SCALE DRAWING THE SUBJECT MATTER SHOWN AND DESCRIBED IN THIS DRAWING AND ANY OTHER INFORMATION ADVANCED IN CONNECTION THEREWITH IS PROPRIETARY PROPERTY AND IS TO BE HELD IN STRICT CONFIDENCE BY YOU. ALL RIGHTS TO ANY INVENTIONS, DESIGNS, TRADE MARKS, TRADE NAMES AND COPYRIGHTS DISCLOSED ARE RESERVED TO TICO TERMINAL SERVICES, INC.	TITLE: <b>ASSEMBLY, FLOOR GALVANIZED</b>
SIZE: <b>D</b>	DWG. NO.: 72562-C1	REV:	SHEET 1 OF 1

**TICO PRO-SPOTTER**

<b>S/N:</b>	<b>ASSEMBLY, FLOOR, GALVINIZED</b>	<b>72562</b>
-------------	------------------------------------	--------------

ITEM	PART #	QTY/M	DESCRIPTION	TASK
	72562-C1	REF	ASSEMBLY, FLOOR, GALVINIZED	
	90880	REF	ASSEMBLY, DASH BUCKET	
1	91904	1	ASSEMBLY, FLOOR, QSB/ISB	
2	20165	1	DASH BUCKET	
3	90811	2	BRACKET, DASH BUCKET	
4	12351	AS REQD	SHIM, CAB PIVOT	
5	90890	3	WASHER, STRIP	
6	82394	2	BOLT, HEX HEAD, 3/8-16 X 1-1/2 LONG	
7	85091	4	WASHER, FLAT, 3/8	
8	85025	2	LOCKNUT, NYLON, 3/8-16	
9	91712	1	BRACKET, DIAGNOSTIC PLUG	
10	82372	4	BOLT, HEX HEAD, 3/8-16 X 1 LONG	
11	85091	8	WASHER, FLAT, 3/8	
12	85025	4	LOCKNUT, NYLON, 3/8-16	
13	82371	1	BOLT, HEX HEAD, 5/16-18 X 1 LONG	
14	85090	2	WASHER, FLAT, 5/16	
15	85024	1	LOCKNUT, NYLON, 5/16-18	
16	91189	1	SEAL, DASH BUCKET	
17	40140	1	GROMMET, 1" RUBBER, 3/4 ID X 1 1/6 GROOVE X 1/4 WIDTH	
18	90587	1	ELECTRICAL SUPPLY BOARD	
19	90585	1	BINDING POST, INSULATED (BLACK)	
20	90586	1	BINDING POST, INSULATED (RED)	
21	80180	6	SCREW, PAN HEAD, 6-32 X 3/4 LONG	
22	80230	12	WASHER, FLAT, 6-32	
23	80207	6	LOCKNUT, NYLON, 6-32	
24	30178	1	PLUG, PVC, 1-1/4 NPT	
25	42081	2	CAPLUG, DASH PEDESTAL	
26	60947-6	1	MOUNTING BRACKET, SURGE TANK	
27	82506	3	BOLT, HEX HEAD, 1/2-13 X 4 LONG	
28	85093	6	WASHER, FLAT, 1/2-13	
29	85027	3	LOCKNUT, NYLON, 1/2-13	
NOT SHOWN	91515-1	1	CARPLUG, 2-1/4"	

REV	DATE	BY		SHEET
C	07/29/2016	MPC		1 OF 1

**TICO MANUFACTURING - RIDGELAND, SC 29936**