

8 7 6 5 4 3 2 1

D

D

C

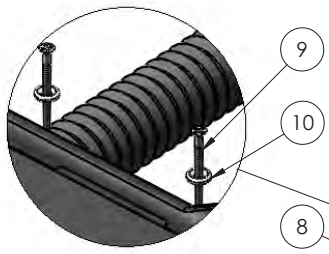
C

B

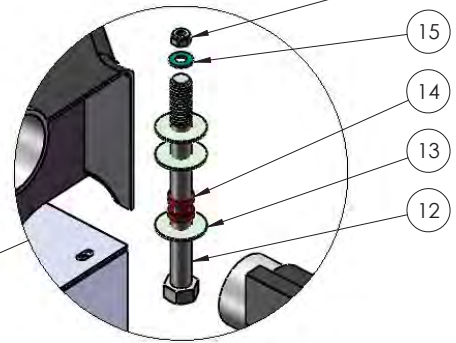
B

A

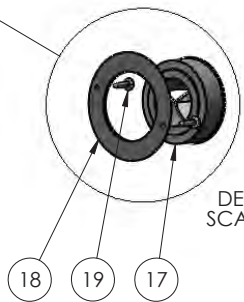
A



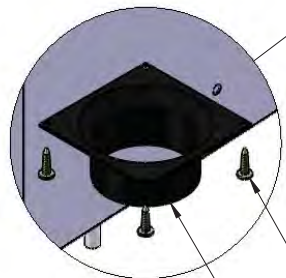
DETAIL A
SCALE 1 : 3



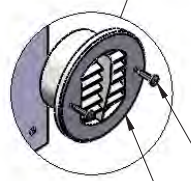
DETAIL B
SCALE 1 : 3



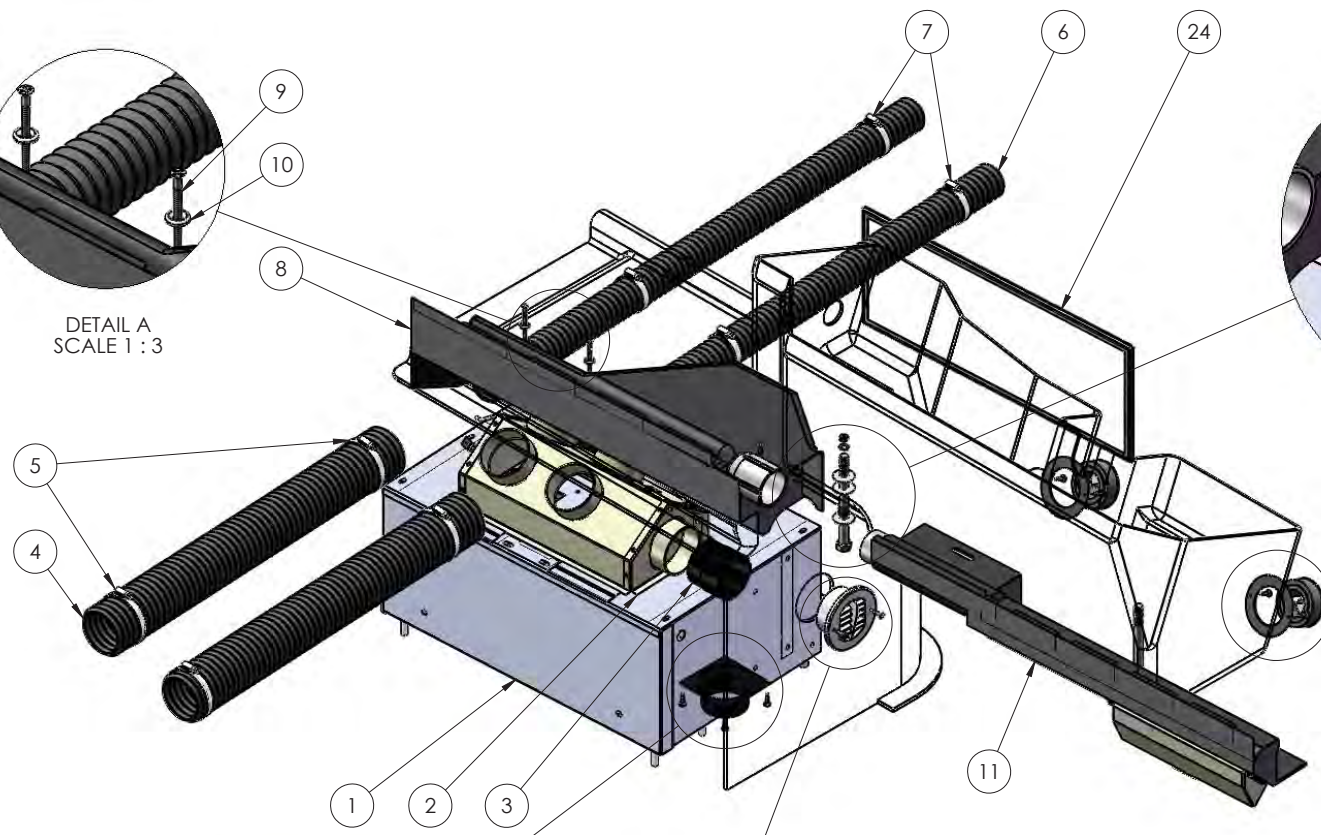
DETAIL C
SCALE 1 : 4




DETAIL E
SCALE 1 : 3



DETAIL D
SCALE 1 : 4



DIMENSIONS ARE IN INCHES		NAME	DATE	 TICO/TERMINAL SERVICE 66 CYPRESS RIDGE DR. RIDGELAND, SC 29936 (843) 717-2226
TOLERANCES:		DRAWN	SMB 8/31/15	
DECIMAL:		CHECKED		
X.X ± 0.1250 X.XX ± 0.0625 X.XXX ± 0.0313		APPROVED		
ANGULAR:		DO NOT SCALE DRAWING		TITLE:
FRACTIONAL: ± 1/16"				ASSEMBLY, CAB HEATER
INTERPRET GEOMETRIC TOLERANCING PER: ASME 14.5M-1994		THE SUBJECT MATTER SHOWN AND DESCRIBED IN THIS DRAWING AND ANY OTHER INFORMATION ADVANCED IN CONNECTION THEREWITH, IS PROPRIETARY PROPERTY AND IS TO BE HELD IN STRICT CONFIDENCE BY YOU. ALL RIGHTS TO ANY INVENTIONS, DESIGNS, TRADE MARKS, TRADE NAMES AND COPYRIGHTS DISCLOSED ARE RESERVED TO TICO TERMINAL SERVICES, INC.		SIZE
MATERIAL		DWG. NO.		REV
FINISH		72550-K1		
THICKNESS		SCALE: 1:8		SHEET 1 OF 1

8 7 6 5 4 3 2 1

TICO PRO-SPOTTER

S/N: HEATER ASSEMBLY, QSB/ISB, ACC 72550

ITEM	PART #	QTY/M	DESCRIPTION	
	720853-A1	REF	ASSEMBLY, HEATER, CAB, ACC	
	62213	REF	REWORK, ENGINE, HEATER/DEF CONNECTOR (ISB & QSB-IV)	
	72550	REF	INSTALLATION, HEATER	
1	91722-34	1	MODULE, HEATER ACC	
2	91722-36	1	ASSEMBLY, PLENUM, CABLE CONTROL	
3	91722-16	1	ADAPTER, HOSE, 3" TO 2-1/2"	
NOT SHOWN	91722-6	2 FT	HOSE, ULTRA SMOOTH, 2-1/2" I.D.	
NOT SHOWN	20337	2	CLAMP, WORMGEAR, HOSE LINER, 2 1/2"	
4	91722-26	2.88 FT	HOSE, FLEX, 3"	
	91722-26	1.75 FT	HOSE, FLEX, 3"	
	91722-26	1.00 FT	HOSE, FLEX, 3"	
5	24120	6	CLAMP, HOSE, 3"	
NOT SHOWN	42299	3	CLAMP, WORMGEAR, HOSE LINER, 3"	
6	91722-4	6 FT	HOSE, 2" FLEX	
	91722-4	5 FT	HOSE, 2" FLEX	
7	42157	4	CLAMP, WORMGEAR, HOSE LINER, 2"	
NOT SHOWN	42149	2	CLAMP, WORMGEAR, LINER, 5/8" HOSE	
8	91783	1	MANIFOLD, DEFROSTER, LEFT-HAND	
9	80272	2	SCREW, WOOD, # 10 x 3 LONG	
10	80302	2	WASHER, FINISHING, 1/4	
11	91828	1	MANIFOLD, DEFROSTER, RIGHT-HAND, ACC	
12	82392	2	BOLT, HEX, 1/4-20 x 1 1/2 LONG	
13	80129	6	WASHER, FENDER, 1/4-20 x 1 1/4	
14	80303	3	GROMMET, RUBBER, 1/2 x 5/8 x 5/16 HOLE	
15	85089	2	WASHER, FLAT, 1/4	
16	85023	2	NUT, LOCK, NYLON, 1/4"-20	
17	91722-13	2	LOUVER, BALL, NO ADAPTER, 2-1/2"	
NOT SHOWN	91722-14	2	ADAPTER, HOSE, BALL LOUVER, 2"	
18	91722-15	2	RING, TRIM, LOUVER	
19	80262	2	SCREW, WOOD, 5-20 x 3/4 LONG	
20	91722-18	1	LOUVER, DOWNDRAFT, FIXED, 3"	
21	80262	2	SCREW, WOOD, 5-20 x 3/4 LONG	
22	91722-17	1	ADAPTER, HOSE, FLANGED, 3"	
23	80262	4	SCREW, WOOD, 5-20 x 3/4 LONG	
24	920011	1	FILTER, HEATER/AC, PERMATRON, 20 1/2 X 8	
NOT SHOWN	920001	1	VALVE, HEATER FLOW CONTROL, INVERTED	
NOT SHOWN	91921	1	MAT, HEATER	
NOT SHOWN	12067	1	BRACKET, STANDOFF (HEATER LINES)	
K	01/22/2016	PW		1 OF 1