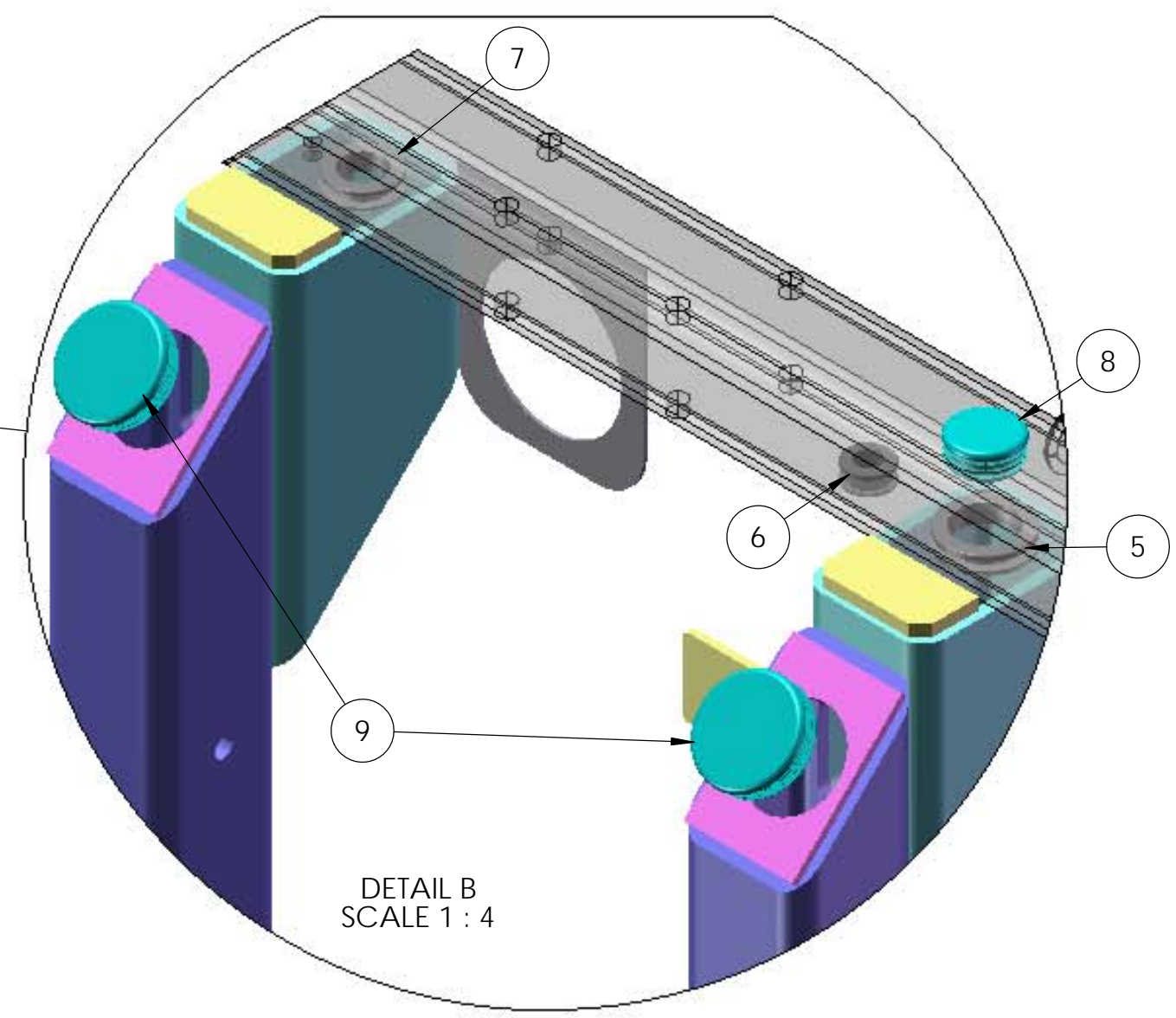
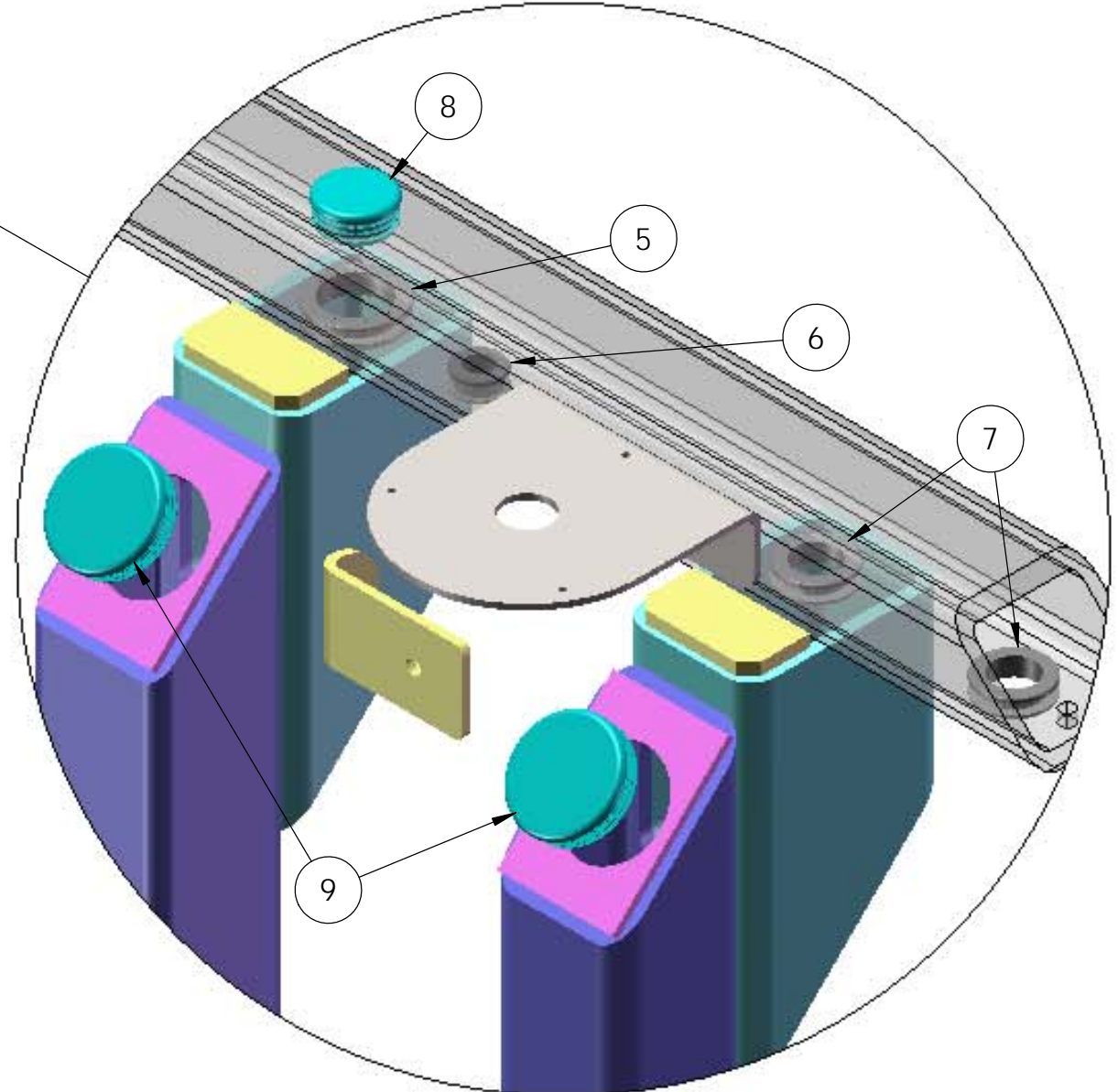


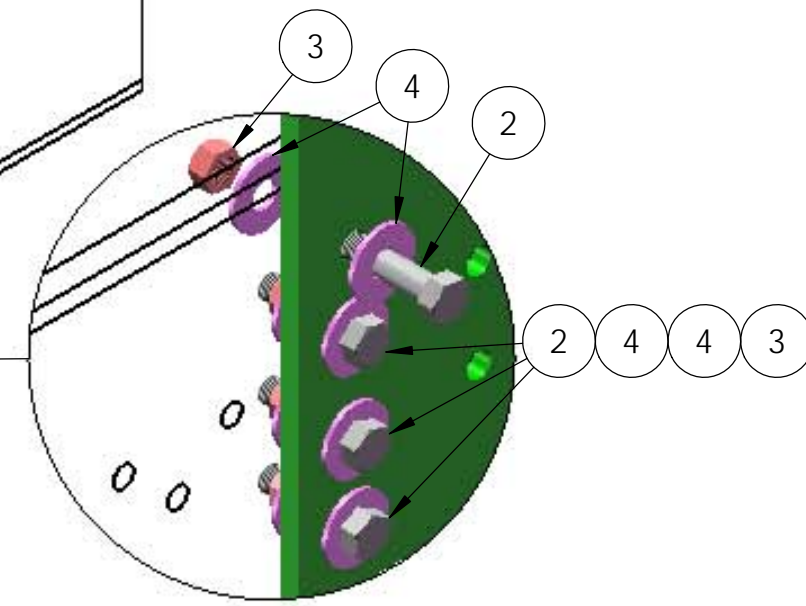
DETAIL A
SCALE 1 : 2



DETAIL B
SCALE 1 : 4



DETAIL C
SCALE 1 : 4



DETAIL D
SCALE 1 : 4

DIMENSIONS ARE IN INCHES
TOLERANCES:
DECIMAL:
XX ± 0.06
XXX ± 0.03
X.XXX ± 0.005
ANGULAR:
FRACTIONAL ± 0.5°
± 1/32"

INTERPRET GEOMETRIC TOLERANCING
PER: ASME 14.5M-1994

MATERIAL

FINISH

THICKNESS

NAME	DATE
DRAWN SMB	5/21/14
CHECKED	
APPROVED	
DO NOT SCALE DRAWING	

TICO TICO/TERMINAL SERVICE
66 CYPRESS RIDGE DR.
RIDGELAND, SC 29936
(843) 717-2226

TITLE:
**CAB BAR ASS'Y - QSB
TIER IV, 65" DOOR**

SIZE C	DWG. NO. 72480-A1	REV C1
------------------	-----------------------------	------------------

SCALE: 1:12 SHEET 1 OF 1

