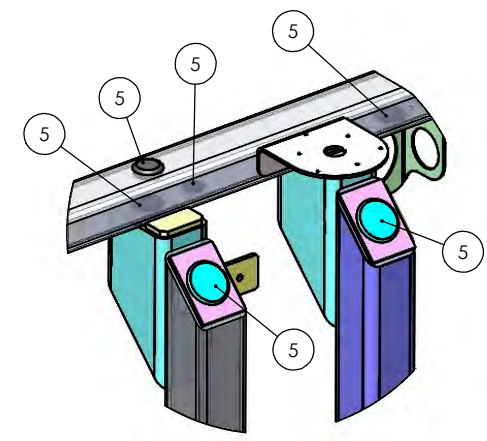
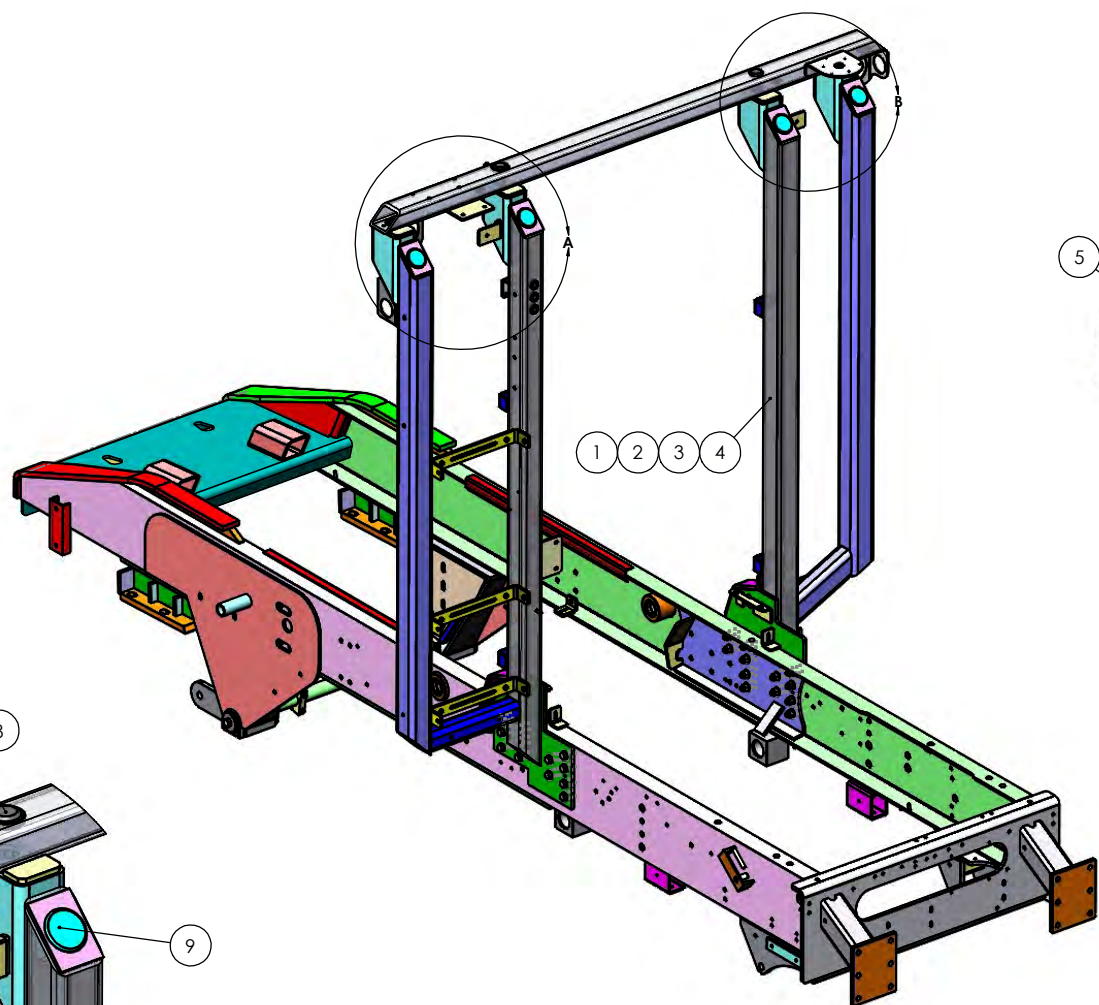
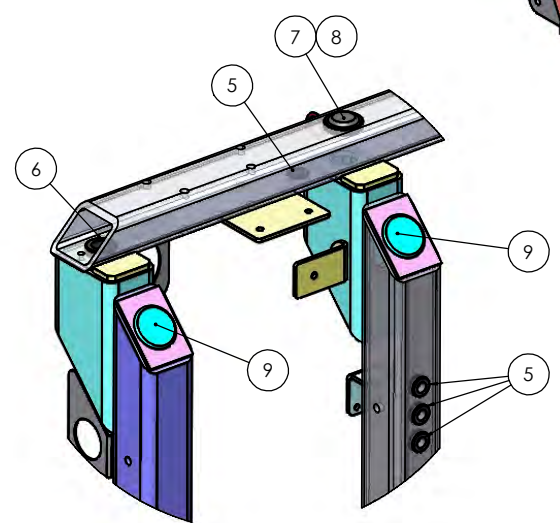


REV	DESCRIPTION	ECN	DATE	BY	APPROVED



DETAIL B
SCALE 1 : 4



DETAIL A
SCALE 1 : 4

- NOTES:**
1. FLAT PATTERN FOR TICO USE ONLY, VENDORS MUST APPLY THEIR OWN BEND ALLOWANCES.
 2. MATERIAL:
 3. REMOVE ALL BURRS AND SHARP EDGES.
 4. PAINT OR POWDERCOAT TICO BLACK RAL# 9005.
 5. IDENTIFY COMPONENT PER TICO'S ENGINEERING MARKING SPECIFICATION.
 6. THIS PART REPLACES TICO #

DIMENSIONS ARE IN INCHES TOLERANCES: DECIMAL: .000 & .005 FRACTIONAL: 1/16 & 1/32 ANGULAR: ± 1.0° HORIZONTAL: ± 0.005 VERTICAL: ± 0.005 HOLE: ± 0.005 HOLE: ± 0.005 HOLE: ± 0.005 HOLE: ± 0.005	NAME: _____ DATE: 5/27/2020 DRAWN: AJGW CHECKED: _____ APPROVED: _____ DO NOT SCALE DRAWING THE SUBJECT MATTER SHOWN AND DESCRIBED IN THIS DRAWING AND ANY OTHER INFORMATION CONTAINED HEREIN IS THE PROPERTY OF TICO. ALL RIGHTS TO ANY PATENTS, TRADE SECRETS, KNOWLEDGE, TRADE MARKS AND OTHER RIGHTS RESERVED ARE RESERVED BY TICO. TRADEMARKS AND SERVICE MARKS ARE THE PROPERTY OF THEIR RESPECTIVE OWNERS.	TICO MANUFACTURING 44 CYPRESS RIDGE DR. ROCKLAND, SC 29554 TICOFACTORS.COM TICO TITLE: 72476 CAB BAR ASSY SIZE: D DWG. NO.: 72476 CAB BAR ASSY SCALE: 1:32 WEIGHT: _____ SHEET 1 OF 1
---	---	---

D:\72476 CAB BAR ASSY

