
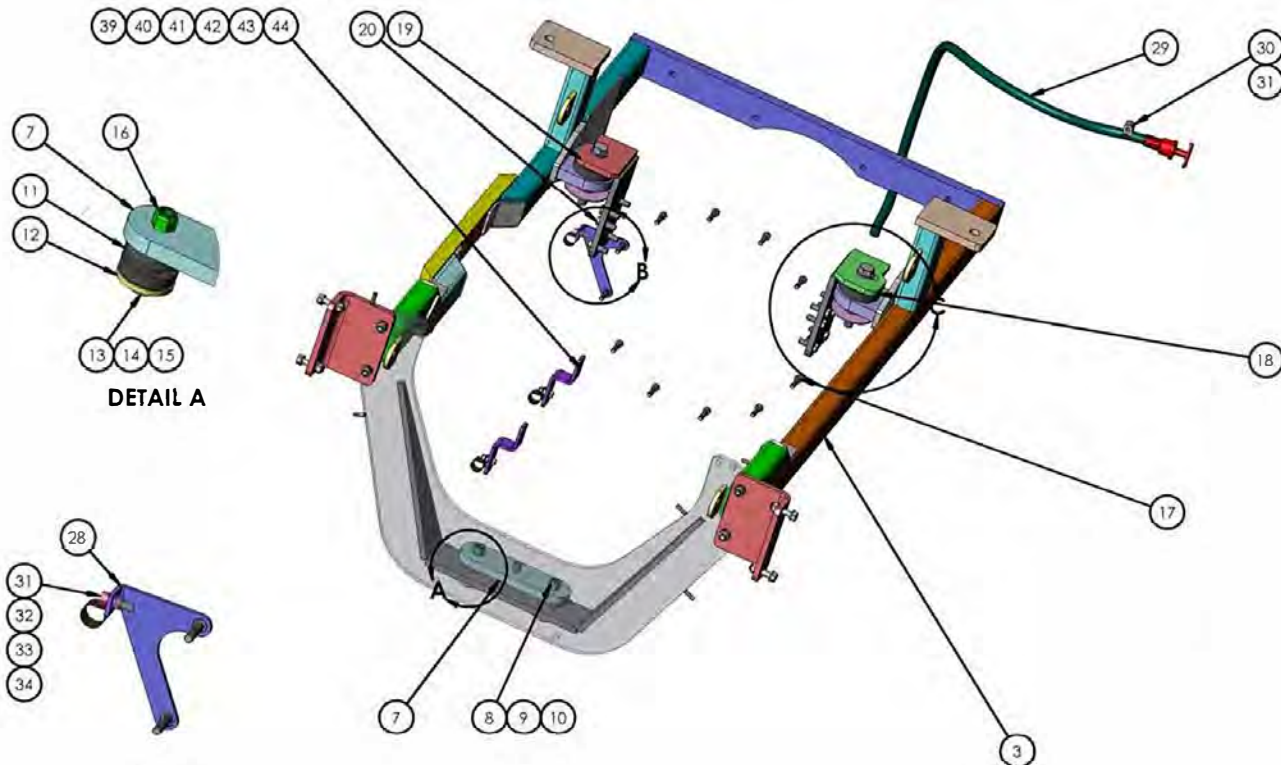


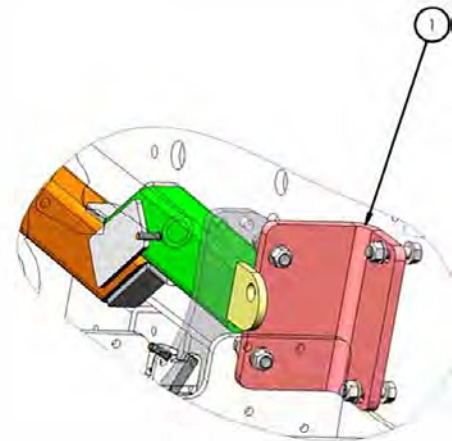
DIMENSIONS ARE IN INCHES		NAME	DATE	 TICO/TERMINAL SERVICE 66 CYPRESS RIDGE DR. RIDGELAND, SC 29936 (843) 717-2226	
TOLERANCES:		DRAWN	MAL		02/16/2017
DECIMAL:		CHECKED			
.XX ± 0.06 .XXX ± 0.03 .XXXX ± 0.005 ANGULAR ± 0.5° FRACTIONAL ± 1/32"		APPROVED			
INTERPRET GEOMETRIC TOLERANCING PER: ASME 14.5M-1994		DO NOT SCALE DRAWING			TITLE: ENGINE & TRANSMISSION
MATERIAL		THE SUBJECT MATTER SHOWN AND DESCRIBED IN THIS DRAWING AND ANY OTHER INFORMATION ADVANCED IN CONNECTION THEREWITH IS PROPRIETARY PROPERTY AND IS TO BE HELD IN STRICT CONFIDENCE BY YOU. ALL RIGHTS TO ANY INVENTIONS, DESIGNS, TRADE MARKS, TRADE NAMES AND COPYRIGHTS DISCLOSED ARE RESERVED TO TICO TERMINAL SERVICES, INC.			SIZE DWG. NO. REV
FINISH					C 72473-E1
THICKNESS					SCALE: 1:48 WEIGHT: SHEET 1 OF 1



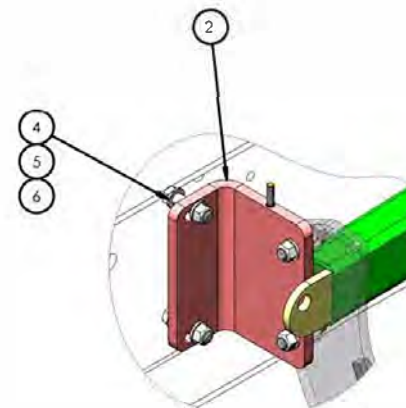
DETAIL A

DETAIL B

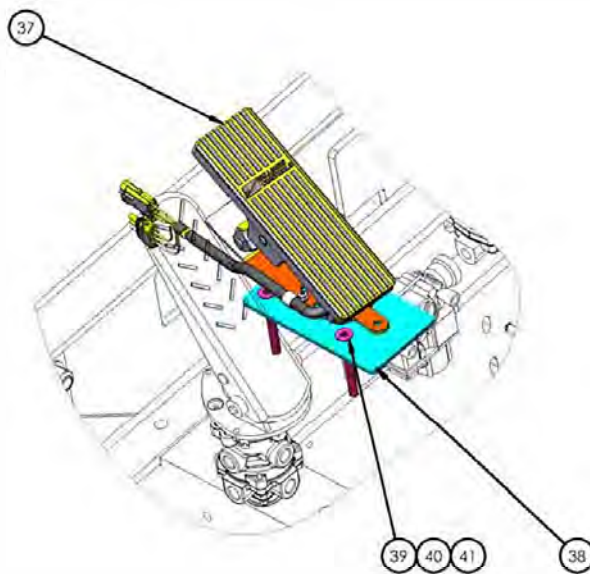
DETAIL C



LH BRACKET, FRONT



RH BRACKET, FRONT



DIMENSIONS ARE IN INCHES		ISSUE	DATE	TICO/TERMINAL SERVICE 66 CYPRESS RIDGE DR. RIDGELAND, SC 29936 (843) 717-2226
TOLERANCES:		DRAWN	FAA1	
DECIMAL:		CHECKED		
XXX ± 0.06		APPROVED		
XXXX ± 0.03		DO NOT SCALE DRAWING		
XXXXX ± 0.005		THE SUBJECT MATTER SHOWN AND DESCRIBED IN THIS DRAWING AND ANY OTHER INFORMATION ADVANCED IN CONNECTION THEREWITH IS TO BE HELD IN STRICT CONFIDENCE BY YOU. ALL RIGHTS TO ANY INVENTION, DESIGN, TRADE MARKS, TRADE NAMES AND COPYRIGHTS DECLARED ARE RESERVED TO TICO TERMINAL SERVICES, INC.		
ANGULAR: ± 0.5°		TITLE: ENGINE & TRANSMISSION		
FRACTIONAL: ± 1/32"		SIZE DWG. REV		
INTERPRET GEOMETRIC TOLERANCING PER: ASME Y14.5M-1994		C 72473-E1		
MATERIAL		SCALE: 1:48 WEIGHT: SHEET 1 OF 1		
FINISH				
THICKNESS				

TICO PRO-SPOTTER				
ENGINE & TRANS 2015-QSB-IV,GEN V 1st-5th, BLK HTR, 2°,DELCO, HEATER SHUTOFF VALVES				72473
ITEM	PART #	QTY/M	DESCRIPTION	
NS	62304	1	ENGINE-CUMMINS QSB-IV FINAL, 173 HP@2100 RPM	
NS	60799-17	1	TRANSMISSION-RDS 3000 (ALLISON E020600)TC-417	
NS	62185	1	TCM-1st-5th, 1950/2800 RPM, GEN V	
NS	62192	1	SHIFTER-TRANSMISSION PUSH BUTTON GEN V	
1	61572-5	1	MOUNT-FRONT ENGINE-FRAME	
NS	61572-9-R	1	BRACKET, UNFINISHED FRONT ENGINE MOUNT	
NS	80349	1	STUD, 5/16-18 X 1"LG WELD	
2	61572-9	1	BRACKET, FRONT ENGINE MOUNT	
3	62115	1	ENGINE CRADLE, ISB	
NS	60749-2	2	TOP PLATE CRADLE	
NS	61758-2	2	VERTICAL TUBE	
NS	61686-7	2	MOUNTING PLATE REAR ENGINE	
NS	60622-3	4	LIFT EYE	
NS	61686-23	2	REINFORCING PLATE	
NS	12132	1	MOUNT PLATE - DCU	
NS	61686-2	1	LONGITUDINAL TUBE	
NS	61572	1	MOUNT-FRONT ENGINE	
NS	61572-3	1	MOUNT PLATE - FRONT ISOLATOR	
NS	61572-4	1	ENGINE MOUNT PLATE - FRONT	
NS	61572-6	2	GUSSET - FRONT ENG MOUNT	
NS	61758-4	1	END PLATE	
NS	61686-24	1	LONGITUDINAL BAR	
NS	61686-18	1	LONGITUDINAL TUBE	
NS	61686-1	2	LONGITUDINAL TUBE	
NS	61686-19	1	LONGITUDINAL TUBE	
NS	61686-12	2	END PLATE	
NS	61686-21	4	END PLATE	
NS	61686-22	2	FLAT BAR	
NS	80349	5	STUD, 5/16-18 X 1"LG WELD	
4	82418	8	BOLT, HEX 1/2-13 X 2 LG - FRONT MOUNTS	
5	85038	8	NUTLOCK, 1/2-13	
6	85093	16	WASHER, FLAT 1/2-13	
7	60809	1	MOUNTING PLATE FRONT ENGINE MOUNT	
8	80342	1	BOLT-DRILLED HEAD-M16 x 2 x 45mm, 10.9 SHCS	
NS	80176	1	BOLT-M16 x 2 x 45mm, 10.9 SHCS	
9	85094	1	WASHER, FLAT 5/8-11	
10	85138	1	LOCKWASHER, 5/8-11	
11	60814	4	ISOLATOR, FRONT ENGINE MOUNT DUAL SYSTEM	
12	60113	2	WASHER, BOOM	
<b>REV</b>	<b>DATE</b>	<b>BY</b>		<b>SHEET</b>
E	2/3/20	REB		1 OF 3

TICO PRO-SPOTTER				
ENGINE & TRANS 2015-QSB-IV, GEN V 1st-5th, BLK HTR, 2°, DELCO, HEATER SHUTOFF VALVES				72473
ITEM	PART #	QTY/M	DESCRIPTION	
13	10971	2	SPACER FRONT MOTOR MOUNT	
14	82474	2	BOLT, HEX 5/8-11 x 3 1/4" LG	
15	85094	2	WASHER, FLAT 5/8-11	
16	85039	2	LOCKNUT, 5/8-11	
NS	60799-6	6	BOLT-FLEX PLATE/TORQUE CONV	
17	60799-12	1	TRANS MOUNTING KIT	
NS	60799-7	12	BOLT - TRANS MOUNTING	
NS	60799-20	12	WASHER - TRANS MOUNTING	
18	60981	1	MOUNT-REAR ENGINE LH	
19	60982	1	MOUNT-REAR ENGINE RH	
20	80240	12	BOLT-M12 x 1.5 x 35mm, HEX HD , 10.9	
			APPLY LOCKTITE & TORQUE BOLTS TO 40 FT-LB	
21	61678	2	ISOLATOR-REAR ENGINE	
22	61677-8	2	SPACER-BOLT	
23	60740	2	WASHER-3/4, REAR ENGINE MOUNT	
24	85095	2	WASHER, FLAT 3/4	
25	60740-1	2	WASHER-3/4, REAR ENGINE MOUNT	
26	82574	2	BOLT-3/4-10UNC x 5 1/2 LG HEX HD	
27	85029	1	NUT-3/4-10UNC NYLK	
28	90910	1	BRACKET-BATTERY CABLE SUPPORT	
29	61574	1	DIPSTICK-TRANSMISSION RDS	
30	12091	1	SPACER	
31	82382	3	BOLT, HEX 5/16-18 x 2 1/4 Lg	
32	85112	8	WASHER, FLAT 5/16	
33	85134	2	LOCKWASHER 5/16	
34	40593	4	P-CLAMP	
35	80349	1	STUD, 5/16-18 X 1"LG WELD	
36	85035	1	LOCKNUT 5/16	
NS	91243	1	STARTER MOTOR- DELCO MT35	
NS	60061	1	PRESSURE STAT 10 Lbs	
NS	40467	1	FITTING, TEE STREET, 1/8 NPT	
NS	91068	1	SENSOR-OIL PRESS GAUGE	
NS	91069	1	SENSOR-WATER TEMP GAUGE	
NS	12091	1	SPACER-DIPSTICK	
<b>REV</b>	<b>DATE</b>	<b>BY</b>		<b>SHEET</b>
E	2/3/20	REB		2 OF 3

