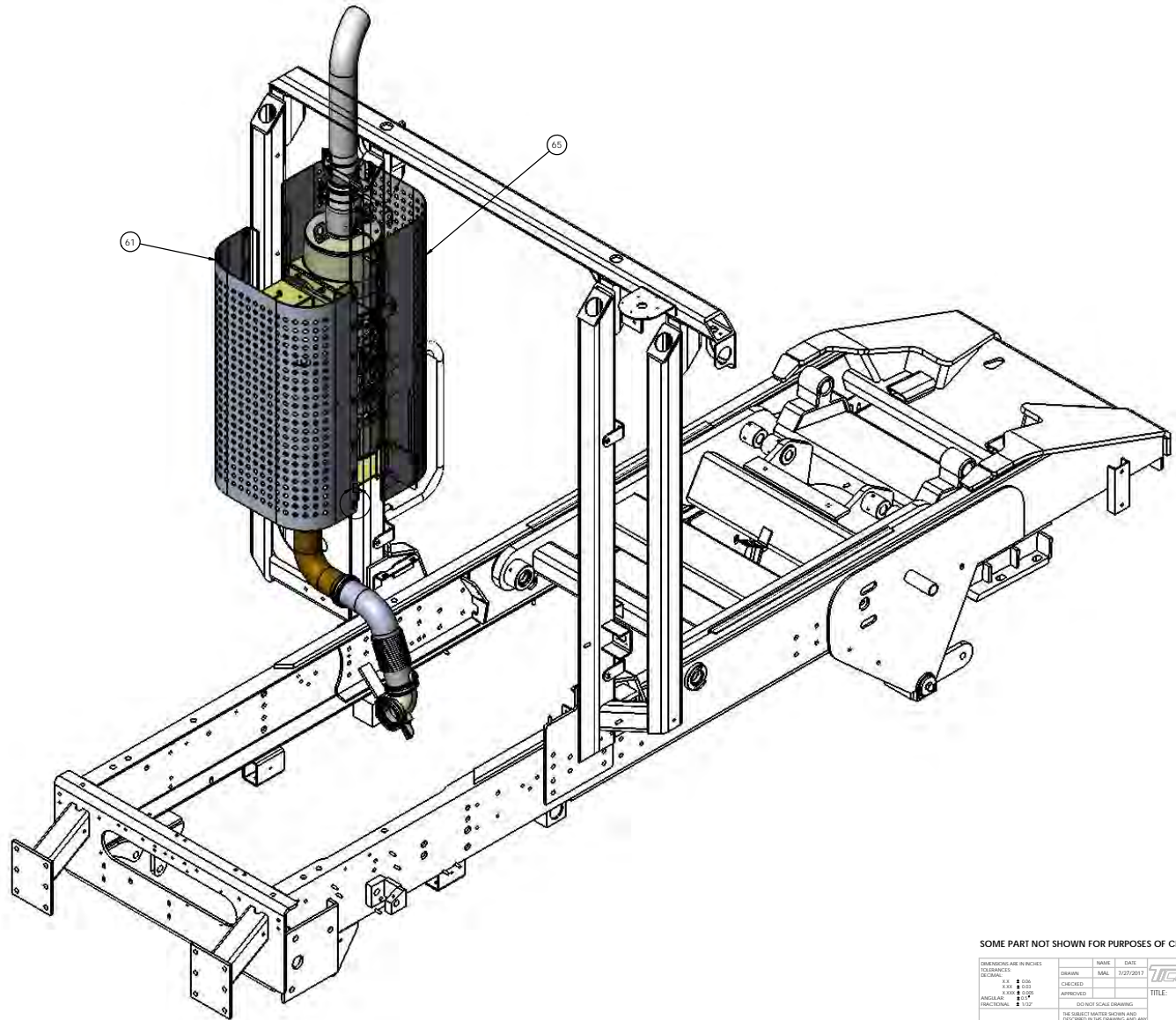


HEAT SHIELD FASTENERS

62
63
64

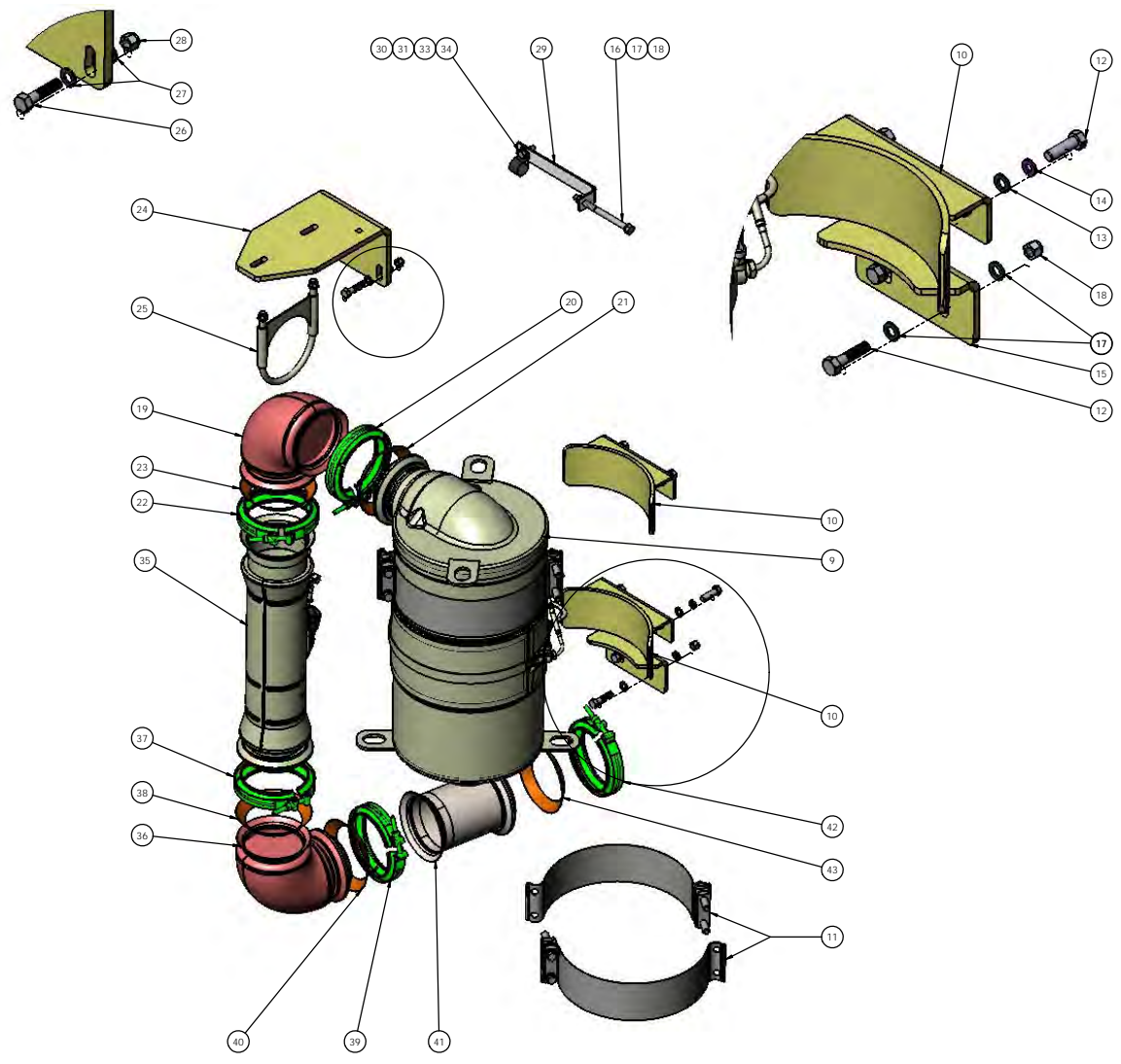


EXHAUST SYSTEM, QSB-IVF
PAGE 1 OVERVIEW, EXHAUST
HEAT SHIELDS
PAGE 2 LOWER TUBES, AND DOC DETAILS
PAGE 3 SCR TUBE
PAGE 4-6 PARTSLIST

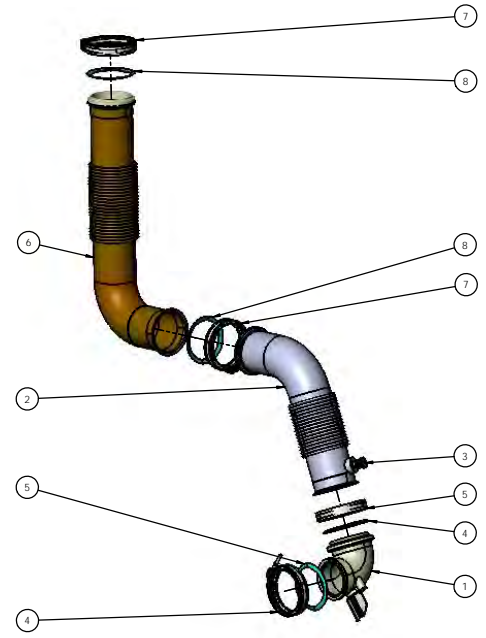
SOME PART NOT SHOWN FOR PURPOSES OF CLARITY

DIMENSIONS ARE IN INCHES TOLERANCES: DECIMAL: .125 & .188 .250 & .312 .375 & .500 ANGULAR: FRACTIONAL: ± 1/2°	NAME: MAL DATE: 1/27/2017 CHECKED: APPROVED: NOTED SCALE DRAWING	TITLE: QSB-IVF EXHAUST SYSTEM SIZE: D DWG. NO.: 72470-A1 REV: 1 SCALE: 1:32 [WEIGHT: 4256.40] SHEET 1 OF 3	TICO MANUFACTURING 840 CYPRESS RIDGE DR. ROCKLAND, NC 27854 (843) 717-2226
--	--	--	---

D 72470-01

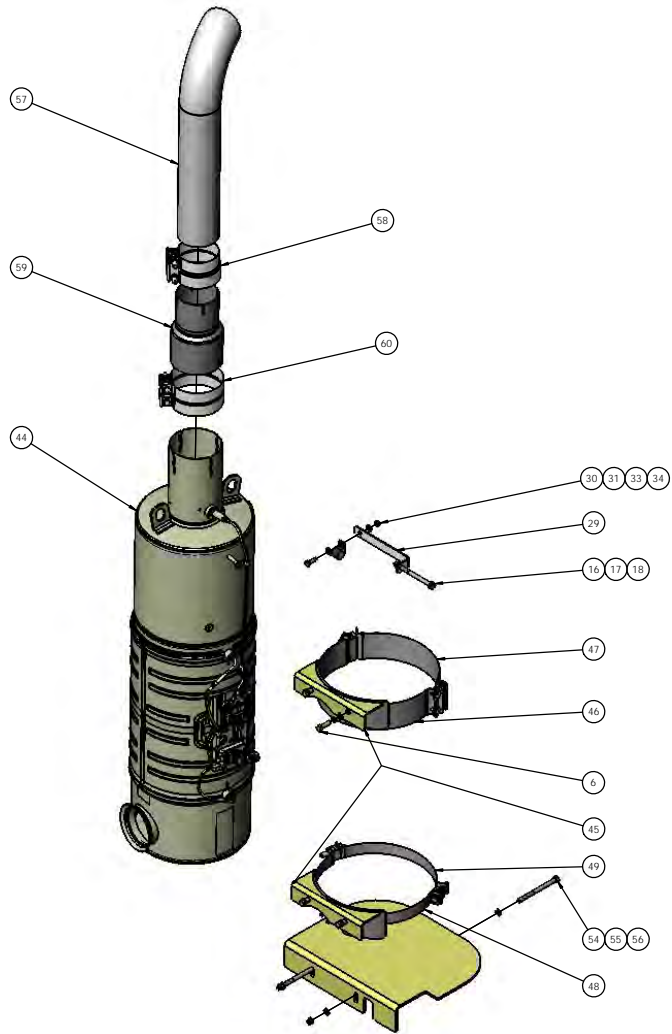


DIESEL OXIDATION CATALYST (DOC), &
DECOMPOSITION REACTOR TUBE (DRT)



LOWER TUBES & FITTINGS

REFERENCES ARE IN INCHES	UNITS	DATE	 <small>WECO TERMINAL SERVICE 66 CYPRUS ROAD DR. ROCKLAND, NC 27854 (843) 717-2226</small>
DIMENSIONS 1/16 & 3/16 1/8 & 3/8 1/2 & 3/4 ANGULAR ± 0.1° FUNCTIONAL ± 0.1°	INCHES MILLIMETERS	1/27/2017	
REVISIONS: COUNTRY, DIMENSIONS AND WEIGHTS IN POUNDS DIMENSIONS N/A SEE NOTE N/A	THE SUBJECT MATTER SHOWN AND DESCRIBED IN THE DRAWING AND ANY DIMENSIONS OR DIMENSIONS SHOWN THEREON SHALL BE GOVERNED BY THE ALL RIGHTS TO ANY PATENTED DESIGN, TRADE MARK, TRADE NAME AND COPYRIGHTS OWNED AND BELONGING TO WECO TERMINAL SERVICE, INC.	TITLE: EXHAUST SYSTEM, OSB-IVF	SCALE: 1:32 WEIGHT: 1020.81 SHEET 2 OF 3
SIZE: D DWG. NO.: 72470-A1 REV:	REV:	SCALE: 1:32 WEIGHT: 1020.81 SHEET 2 OF 3	TITLE: EXHAUST SYSTEM, OSB-IVF



SELECTIVE CATALYTIC REDUCTION
(SCR)

REFERENCES ARE IN FIGURES	SCALE	DATE	 <small>TICO/TERMINAL SERVICE 460 CYPRESS RIDGE DR. ROCKLAND, SC 29726 (843) 717-2226</small>
DESIGNED BY	ISSUED	1/27/2017	
<small>BY: B. BIR CHKD: B. BIR APP: B. BIR</small>	<small>DESIGNED</small>	<small>APPROVED</small>	TITLE
<small>ANGULAR: 1:1 FUNCTIONAL: 4:1</small>	<small>APPROVED</small>	<small>APPROVED</small>	EXHAUST SYSTEM, OSB-IVF
<small>REVISIONS: GEOMETRIC DIMENSIONS ARE TO BE USED UNLESS OTHERWISE NOTED IN THIS DRAWING. DIMENSIONS IN PARENTHESES INDICATE DIMENSIONS TO BE USED FOR FABRICATION OF THIS DRAWING. DIMENSIONS TO BE USED FOR FABRICATION OF THIS DRAWING ARE SHOWN IN PARENTHESES.</small>	<small>APPROVED</small>	<small>APPROVED</small>	<small>THE DIMENSIONS SHOWN AND DIMENSIONS TO BE USED ARE TO BE USED UNLESS OTHERWISE NOTED IN THIS DRAWING. DIMENSIONS IN PARENTHESES INDICATE DIMENSIONS TO BE USED FOR FABRICATION OF THIS DRAWING. DIMENSIONS TO BE USED FOR FABRICATION OF THIS DRAWING ARE SHOWN IN PARENTHESES.</small>
<small>SEE NOTE</small>	<small>APPROVED</small>	<small>APPROVED</small>	<small>SIZE [DWG. NO.] REV</small> D [72470-A1]
<small>SCALE: 1:32</small>	<small>WEIGHT: 1020.8</small>	<small>SHEET 3 OF 3</small>	

TICO PRO-SPOTTER			
ZEXHAUST SYSTEM - QSB-IV 155-173HP, 72" DOOR - ALUMINIZED VERT STACK, 6" TOP OFFSET			72470
ITEM	PART #	QTY/M	DESCRIPTION
35	62353	1	DRT, DECOMPOSITION REACTOR TUBE (P/N SHOWN ON ENGINE)
36	62355	1	ELBOW, 4" SPHERICAL FLARE TO 4" SPHERICAL FLANGE (EXIT ELBOW)
37	62330	1	CLAMP, 4" SPHERICAL MARMON V-BAND (DRT TO ELBOW)
38	62331	1	GASKET, 4" SPHERICAL MARMON (DRT TO ELBOW)
39	62330	1	CLAMP, 4" SPHERICAL MARMON V-BAND (ELBOW TO PIPE)
40	62331	1	GASKET, 4" SPHERICAL MARMON (ELBOW TO PIPE)
41	62320	1	PIPE, DRT TO SCR EXHAUST
42	62330	1	CLAMP, 4" SPHERICAL MARMON V-BAND (PIPE TO SCR)
43	62331	1	GASKET, 4" SPHERICAL MARMON (PIPE TO SCR)
44	62354	1	SCR, SELECTIVE CATALYTIC REDUCTION (P/N SHOWN ON ENGINE)
45	121363	2	BRACKET, SCR, ISB, 2016
46	61764-1	1	CLAMP, 11" REWORKED BAND
47	420329	1	CLAMP, 4.5" BAND SS EXHAUST, 1 1/4" WIDE
48	61764-1	1	CLAMP, 11" REWORKED BAND
49	420329	1	CLAMP, 4.5" BAND SS EXHAUST, 1 1/4" WIDE
NS	82383	4	BOLT, 3/8"-16 x 1-1/4" Lg HEX (CLAMP TO CAB BAR)
NS	85091	8	WASHER, 3/8" HRDN (CLAMP TO CAB BAR)
NS	85025	4	NUT, 3/8"-16 NYLOK (CLAMP TO CAB BAR)
NS	12886	1	WELDMENT, SCR BOTTOM SUPPORT
NS	12790	1	BRACKET, SCR BASE SUPPORT
NS	12887	1	GUSSET, SCR BOTTOM SUPPORT
NS	80344	1	STUD, 5/16-18 X 3/4 LG
NS	82548	1	BOLT, 3/8"-16 x 5" Lg HEX
NS	85091	2	WASHER, 3/8" HRDN
NS	85025	1	NUT, 3/8"-16 NYLOK
50	82383	4	BOLT, 3/8"-16 x 1-1/4" Lg HEX (CLAMP TO CAB BAR)
51	85091	8	WASHER, 3/8" HRDN (CLAMP TO CAB BAR)
52	85025	4	NUT, 3/8"-16 NYLOK (CLAMP TO CAB BAR)
53	12886	1	WELDMENT, SCR BOTTOM SUPPORT
54	82548	1	BOLT, 3/8"-16 x 5" Lg HEX
55	85091	2	WASHER, 3/8" HRDN
56	85025	1	NUT, 3/8"-16 NYLOK
57	620604	1	TAIL PIPE-QSB-IV 72" CAB, ALUM, 32"LG (62187)
58	61894	1	CLAMP, 4" SS LAP JOINT
59	62374	1	REDUCER, 4" I.D. x 5" O.D. x 8" Lg
60	62362	2	CLAMP, 5" SS BAND
61	62324	1	HEAT SHIELD, DRT & DPF
62	82372	8	BOLT, 3/8"-16 x 1" Lg HEX
63	85135	8	LOCKWASHER, 3/8" HELICAL SPRING
64	85091	8	WASHER, 3/8" HRDN
REV	DATE	BY	SHEET
A	06/19/2020	AGW	2 OF 3

