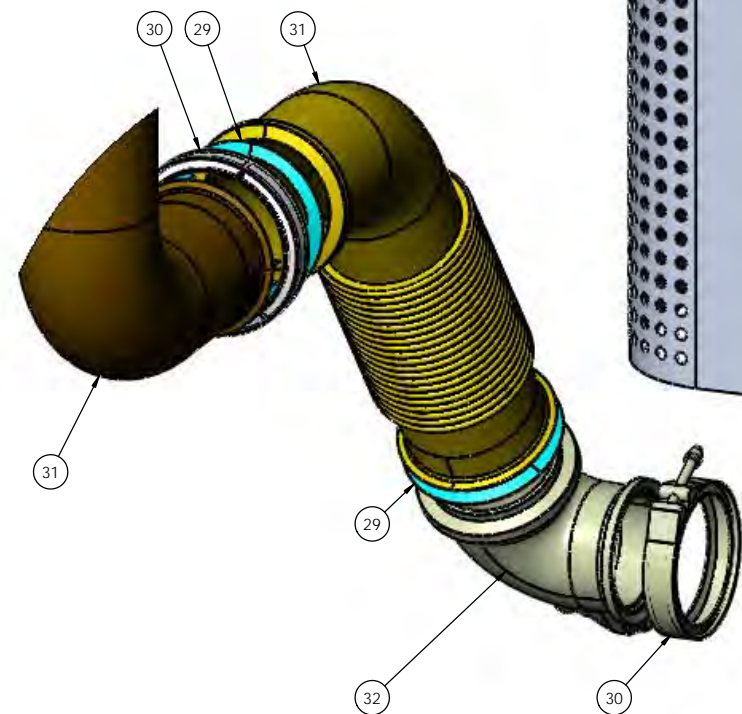
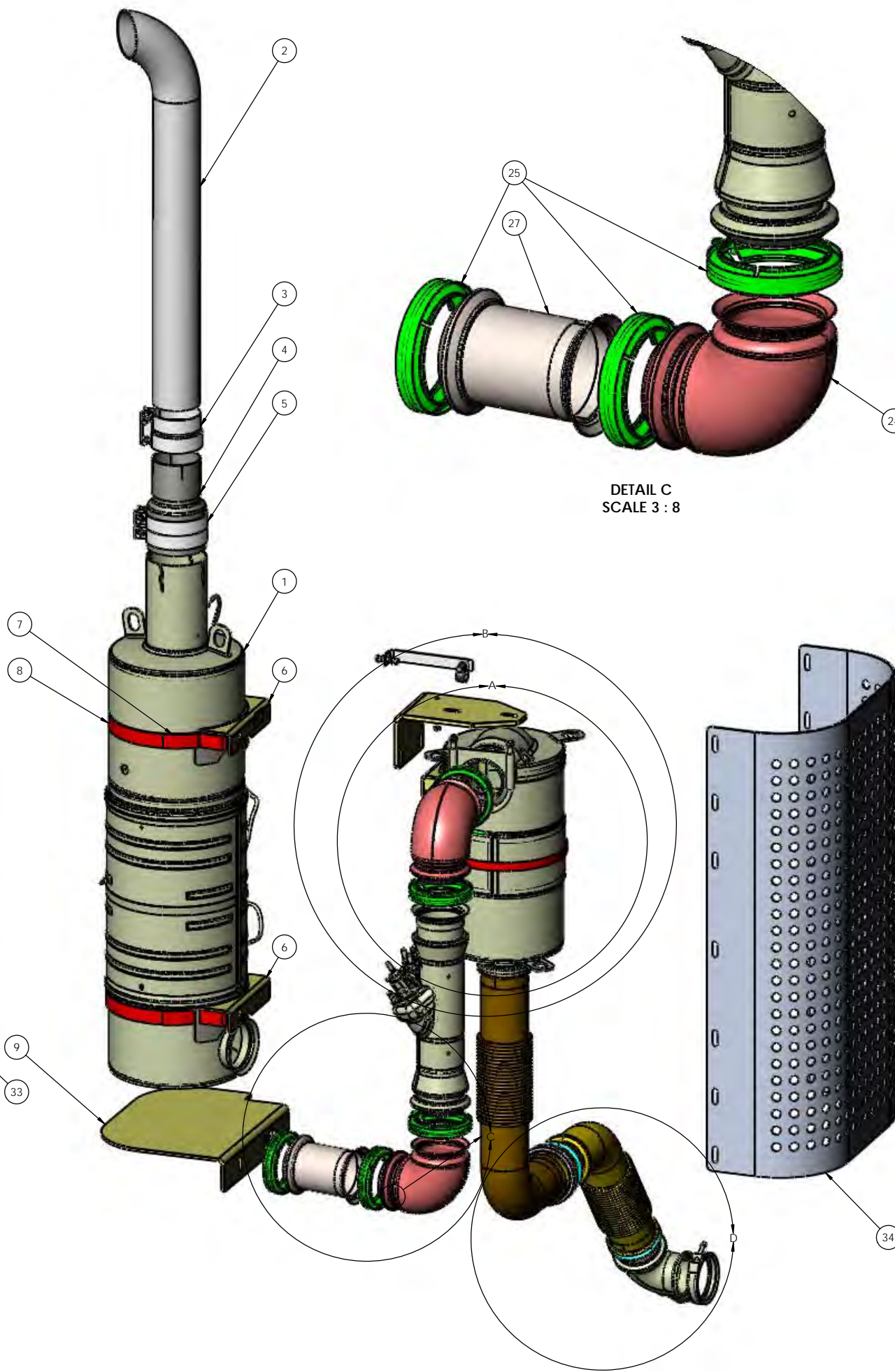
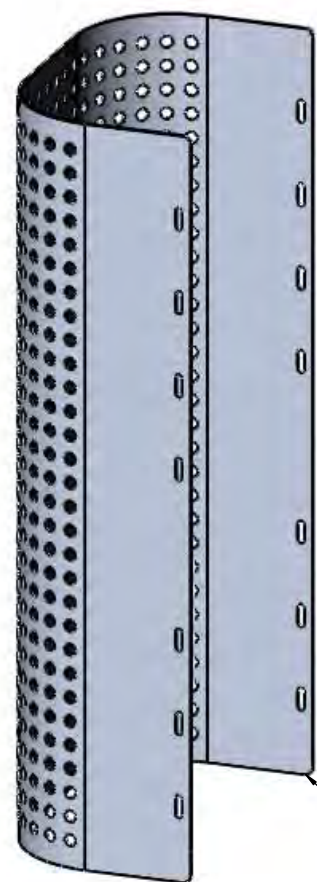


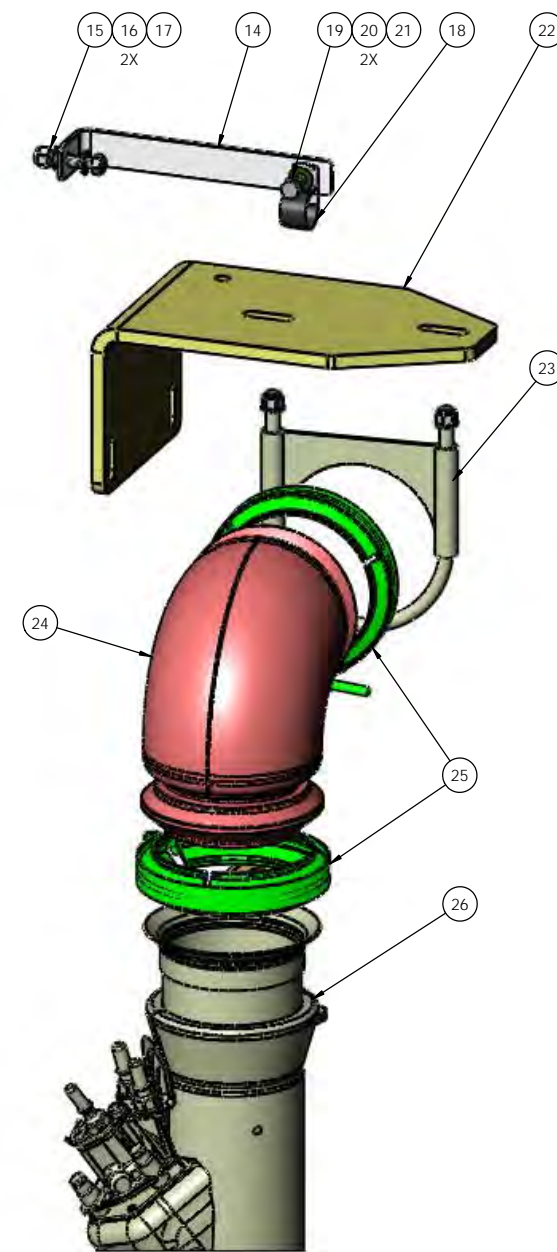
DETAIL A
SCALE 4 : 11



DETAIL D
SCALE 3 : 8



DETAIL C
SCALE 3 : 8



DETAIL B
SCALE 3 : 8

DIMENSIONS ARE IN INCHES TOLERANCES: DECIMAL: XX ± 0.06 XXX ± 0.03 XXXX ± 0.005 ANGULAR: FRACTIONAL: ± 1/32"		NAME: PW DATE: 07/14/2016 REVISED: MPC APPROVED: 09/29/2016	TICO/TERMINAL SERVICE 46 CYPRESS RIDGE DR. RIDGELAND, SC 29936 (843) 717-2226
INTERPRET GEOMETRIC TOLERANCING PER: ASME Y14.5M-1994		DO NOT SCALE DRAWING THE SUBJECT MATTER SHOWN AND DESCRIBED IN THIS DRAWING AND ANY OTHER INFORMATION ADVANCED IN CONNECTION THEREWITH IS PROPRIETARY PROPERTY AND IS TO BE HELD IN STRICT CONFIDENCE BY YOU. ALL RIGHTS TO ANY INVENTIONS, DESIGNS, TRADE MARKS, TRADE NAMES AND COPYRIGHTS DISCLOSED ARE RESERVED TO TICO TERMINAL SERVICES, INC.	
FINISH:	THICKNESS:	TITLE: ASSEMBLY, EXHAUST SYSTEM OSB IV	SIZE: D DWG. NO.: 72468-G1 REV:
		SHEET 1 OF 1	

TICO PRO-SPOTTER

S/N:	ASSEMBLY, EXHAUST SYSTEM	72468
-------------	---------------------------------	--------------

ITEM	PART #	QTY/M	DESCRIPTION
	72468-G1	REF	ASSEMBLY, EXHAUST SYSTEM
1	62354	1	SCR (SELECTIVE CATALYTIC REDUCTION)
2	61998-24	1	STACK, VERTICAL ALUMINIZED EXHAUST, 4 X 24 LONG
3	61894	1	CLAMP, LAP JOINT, STAINLESS STEEL, 4"
4	62374	1	REDUCER, 4 ID X 5 OD X 8 LONG
5	62362	2	CLAMP, BAND, STAINLESS STEEL, 5"
6	121363	2	BRACKET, SCR
7	420316	2	CLAMP, EXHAUST, STAINLESS STEEL, 4-1/2" BAND
8	420315	2	CLAMP, EXHAUST, STAINLESS STEEL, 7" BAND
NOT SHOWN	82383	4	BOLT, HEX HEAD, 3/8-16 X 1-1/4 LONG (CLAMP TO CAB BAR)
NOT SHOWN	85091	8	WASHER, FLAT, 3/8 (CLAMP TO CAB BAR)
NOT SHOWN	85025	4	LOCKWASHER, 3/8 (CLAMP TO CAB BAR)
9	12886	1	SUPPORT, SCR (BOTTOM)
NOT SHOWN	82548	1	BOLT, HEX HEAD, 3/8-16 X 5 LONG
NOT SHOWN	85091	2	WASHER, FLAT, 3/8
NOT SHOWN	85025	1	LOCKNUT, NYLON, 3/8-16
10	62352	1	DOC (DIESEL OXIDATION CATALYST)
11	420317	4	CLAMP, EXHAUST, STAINLESS STEEL, 5" BAND
NOT SHOWN	82383	4	BOLT, HEX HEAD, 3/8-16 X 1-1/4 LONG (CLAMP TO CAB BAR)
NOT SHOWN	85091	8	WASHER, FLAT, 3/8 (CLAMP TO CAB BAR)
NOT SHOWN	85025	4	LOCKWASHER, 3/8 (CLAMP TO CAB BAR)
12	121360	2	BRACKET, DOC
NOT SHOWN	82383	4	BOLT, HEX HEAD, 3/8-16 X 1-1/4 LONG (CLAMP TO CAB BAR)
NOT SHOWN	85091	4	WASHER, FLAT, 3/8 (CLAMP TO CAB BAR)
NOT SHOWN	85025	4	LOCKWASHER, 3/8 (CLAMP TO CAB BAR)
13	120013	1	BRACKET, LOWER SUPPORT, DOC
NOT SHOWN	82548	1	BOLT, HEX HEAD, 3/8-16 X 5 LONG
NOT SHOWN	85091	2	WASHER, FLAT, 3/8
NOT SHOWN	85025	1	LOCKNUT, NYLON, 3/8-16
14	62260	1	BRACKET, STANDOFF, 1 X 1-3/4 X 7-1/2
15	82382	1	BOLT, HEX HEAD, 5/16-18 X 1-1/4 LONG
16	85090	2	WASHER, FLAT, 5/16
17	85024	1	LOCKNUT, NYLON, 5/16-18
18	40593	1	P-CLAMP, 1"
19	82371	1	BOLT, HEX HEAD, 5/16-18 X 1 LONG
20	85090	4	WASHER, FLAT, 5/16
21	85024	2	LOCKNUT, NYLON, 5/16-18

REV	DATE	BY	SHEET
G	09/29/2016	MPC	1 OF 2

TICO PRO-SPOTTER

S/N:	ASSEMBLY, EXHAUST SYSTEM	72468
-------------	---------------------------------	--------------

ITEM	PART #	QTY/M	DESCRIPTION
22	120012	1	BRACKET, MOUNT, DRT
NOT SHOWN	82394	2	BOLT, HEX HEAD, 3/8-16 X 1-1/2 LONG
NOT SHOWN	85091	4	WASHER, FLAT, 3/8
NOT SHOWN	85025	2	LOCKNUT, NYLON, 3/8-16
23	42243	1	CLAMP, MUFFLER, 4-1/2"
24	62355	2	ELBOW, 4" SPHERICAL FLARE TO 4" SPHERICAL FLANGE (DOC TO DRT)
NOT SHOWN	62331	3	GASKET, SPHERICAL MARMON, 4"
25	62330	5	CLAMP, V-BAND, SPHERICAL MARMON, 4"
26	62353	1	DRT (DECOMPOSITION REACTOR TUBE)
NOT SHOWN	62331	2	GASKET, SPHERICAL MARMON, 4"
27	62320	1	PIPE, EXHAUST (DRT TO SCR)
28	62351	1	PIPE, FLEX, EXHAUST (JUNCTION TO DOC)
29	61762	2	SEAL
30	40766	3	CLAMP, V-BAND, STANDARD MARMON, 4-5/8"
31	62308	1	PIPE, FLEX, EXHAUST (TURBO TO JUNCTION)
NOT SHOWN	42270	1	FITTING, PLUG, SOCKET HEX HEAD, 20 MM X 1-1/2
32	61744	1	ELBOW, TURBO
33	62327	1	HEAT SHIELD, SCR
34	62324	1	HEAT SHIELD, DRT & DOC
NOT SHOWN	82372	16	BOLT, HEX HEAD, 3/8-16 X 1 LONG
NOT SHOWN	85135	16	LOCKWASHER, 3/8
NOT SHOWN	85091	16	WASHER, FLAT, 3/8
NOT SHOWN	62423	1	BRACKET, SCR (HEAT SHIELD TO BOTTOM SUPPORT)
NOT SHOWN	82371	1	BOLT, HEX HEAD, 5/16-18 X 1 LONG
NOT SHOWN	80327	1	WASHER, FENDER, STAINLESS STEEL, .31 X 1.25
NOT SHOWN	85090	2	WASHER, FLAT, 5/16
NOT SHOWN	85024	2	LOCKNUT, NYLON, 5/16-18
NOT SHOWN	62408	1	HARNESS, WIRE, AFTERTREATMENT
NOT SHOWN	121043	1	BRACKET, MOUNT, SUPPLY MODULE
NOT SHOWN	121044	1	GUARD, MUD, SUPPLY MODULE
NOT SHOWN	620561	1	MODULE, SUPPLY DEP
NOT SHOWN	82514	3	BOLT, 5/16-18 X 4-1/4 LONG
NOT SHOWN	85090	6	WASHER, FLAT, 5/16
NOT SHOWN	85024	3	LOCKNUT, NYLON, 5/16-18

REV	DATE	BY		SHEET
G	09/29/2016	MPC		2 OF 2