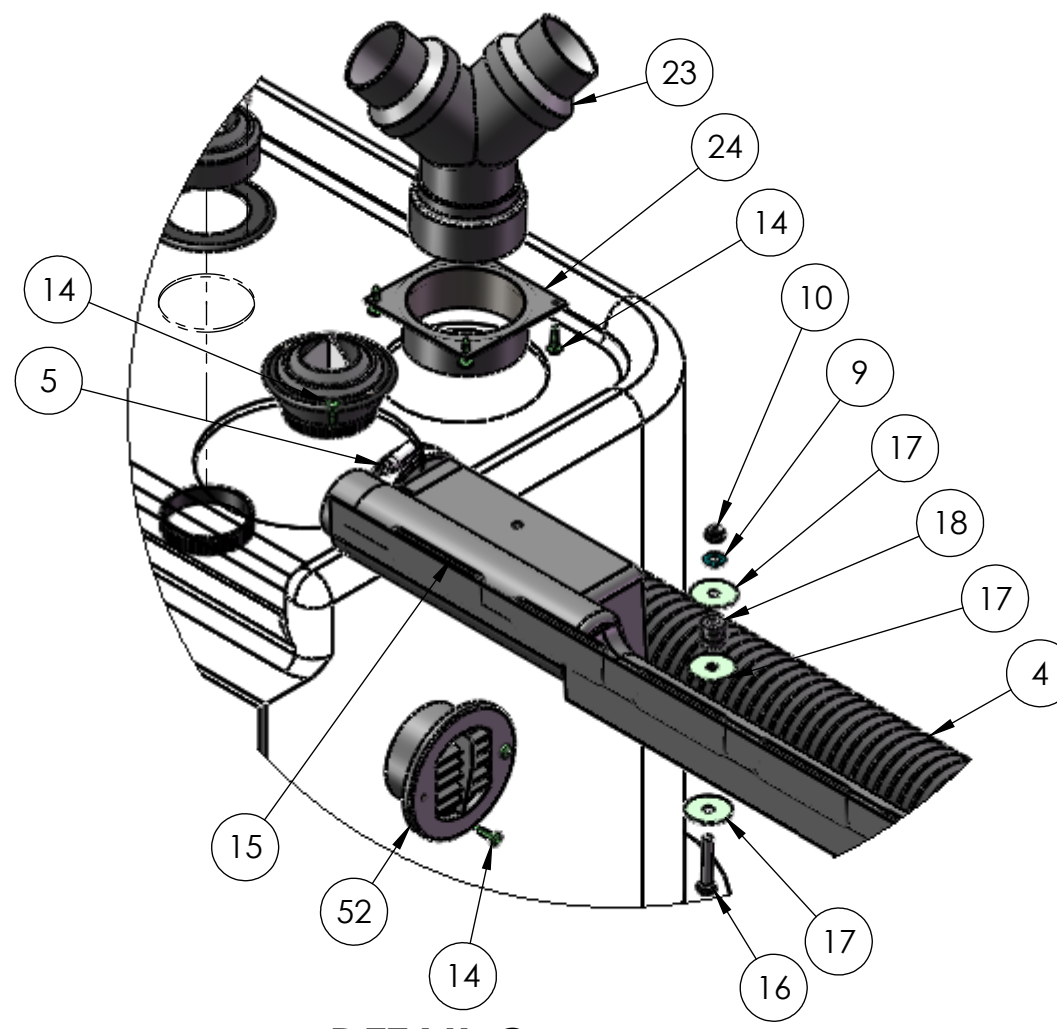
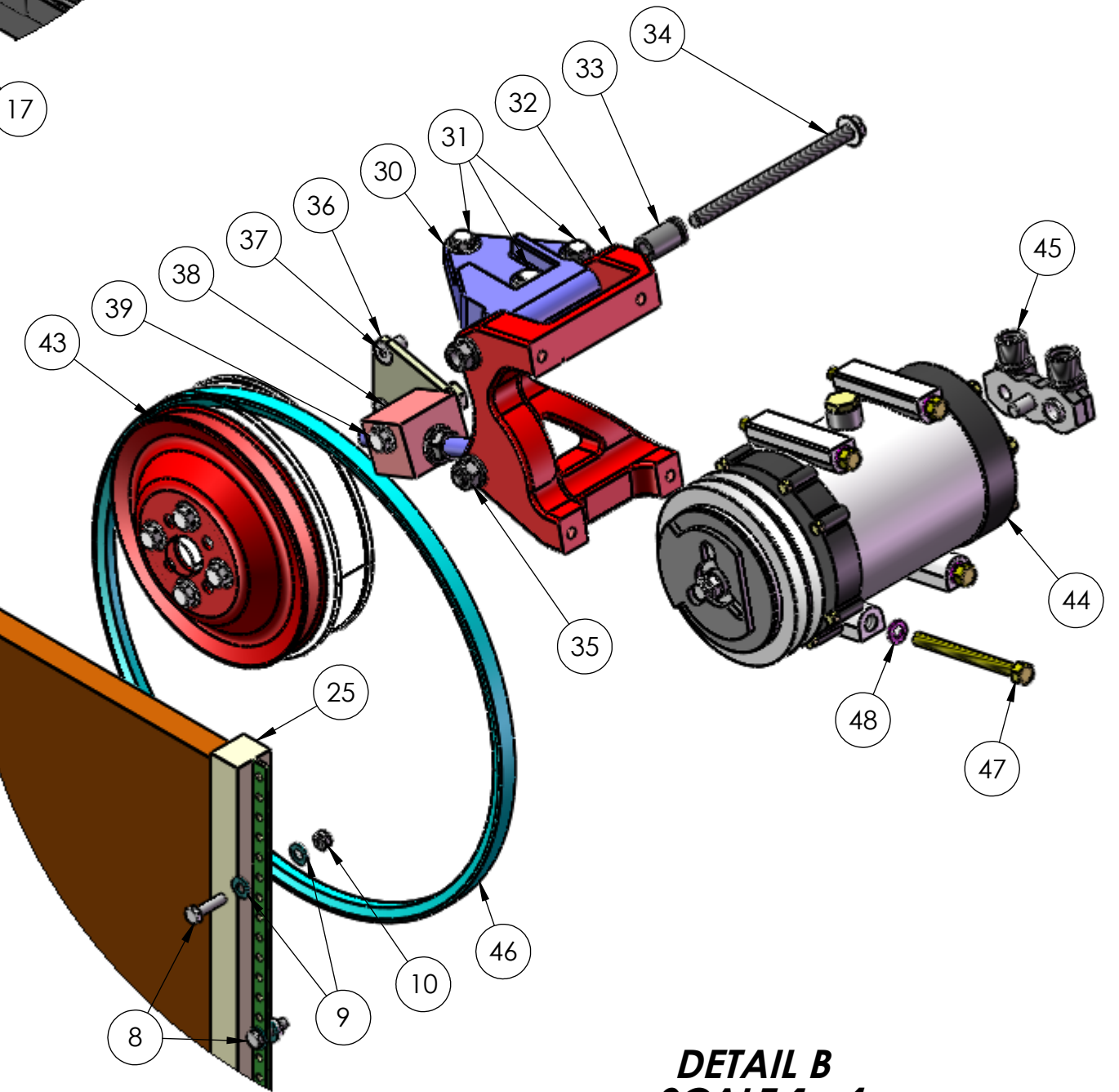


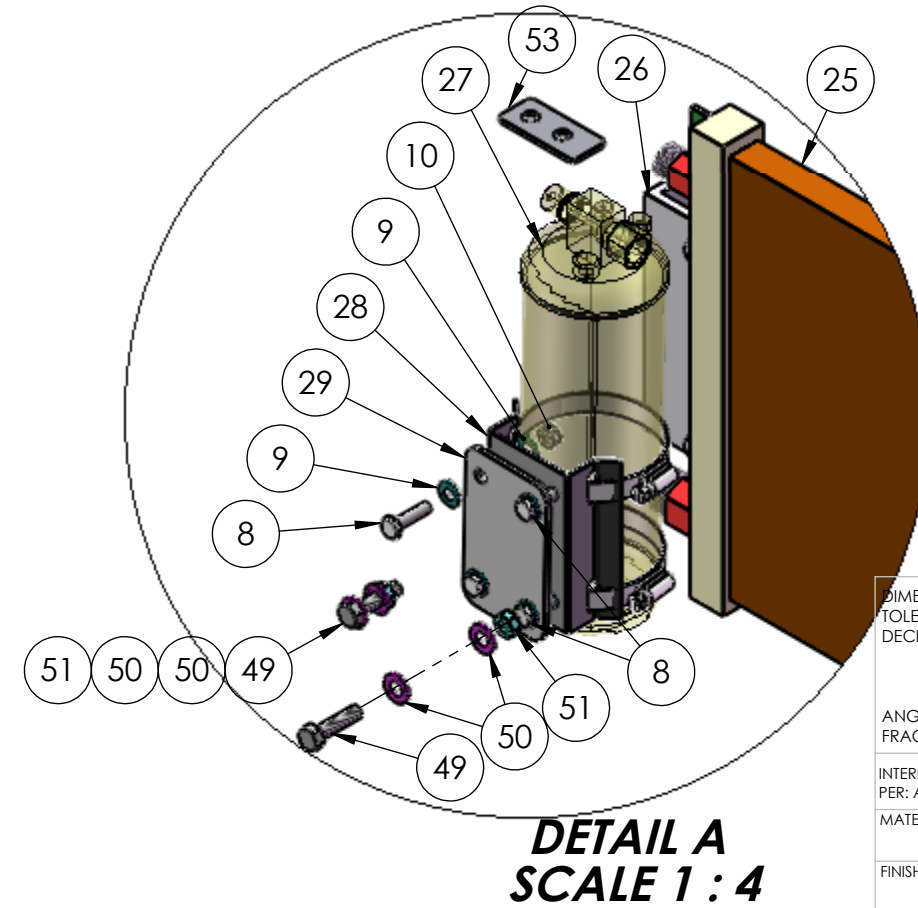
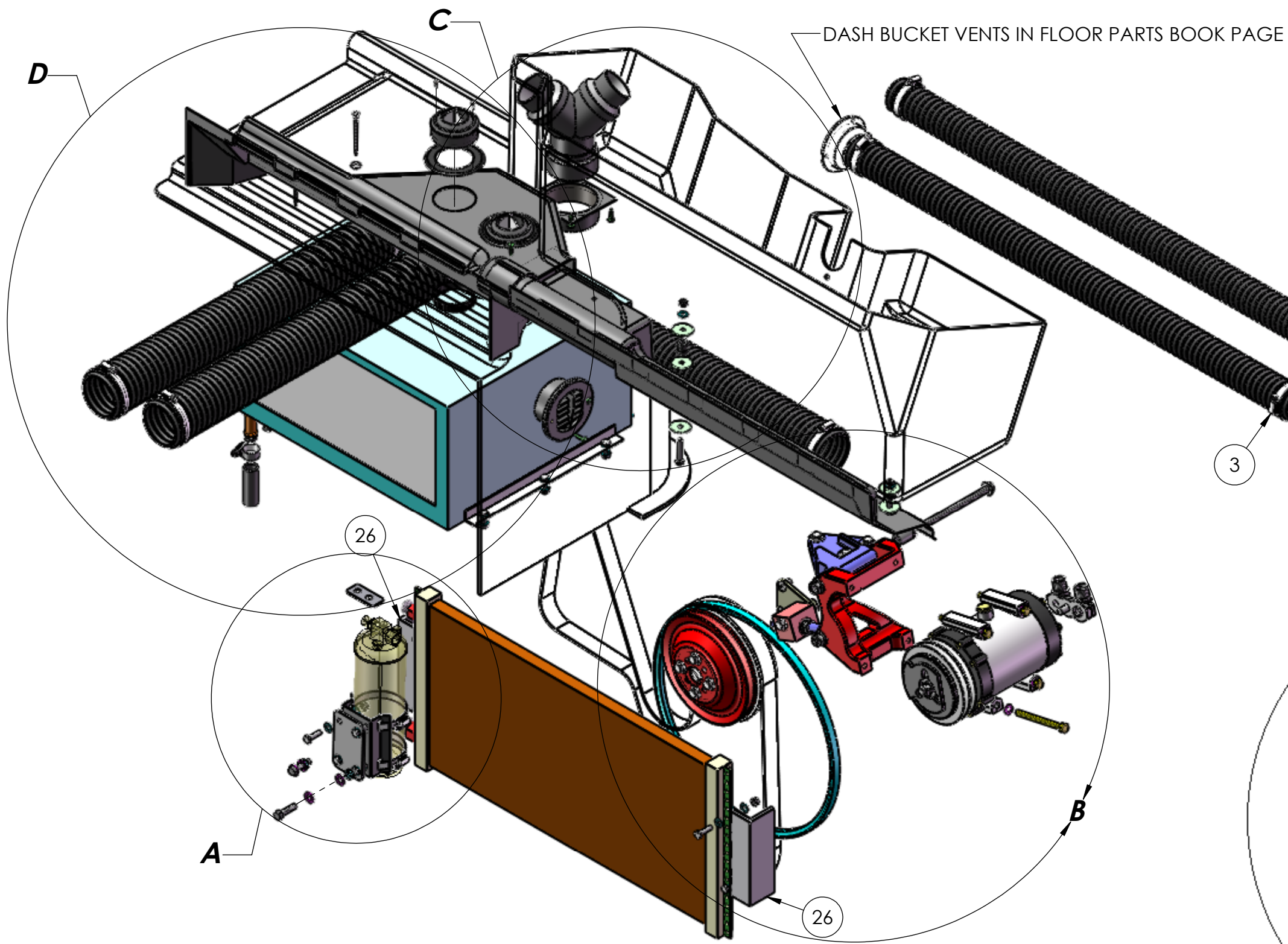
DETAIL D
SCALE 1 : 5



DETAIL C
SCALE 1 : 5



DETAIL B
SCALE 1 : 4



DETAIL A
SCALE 1 : 4

DIMENSIONS ARE IN INCHES

TOLERANCES:

DECIMAL:	X.X ± 0.06
	X.XX ± 0.03
	X.XXX ± 0.005
ANGULAR:	± 0.5°
FRACTIONAL:	± 1/32"

INTERPRET GEOMETRIC TOLERANCING PER: ASME 14.5M-1994

MATERIAL

FINISH

THICKNESS

NAME	DATE
RWC	11/12/12
CHECKED	
APPROVED	

DO NOT SCALE DRAWING

THE SUBJECT MATTER SHOWN AND DESCRIBED IN THIS DRAWING AND ANY OTHER INFORMATION ADVANCED IN CONNECTION THEREWITH IS PROPRIETARY PROPERTY AND IS TO BE HELD IN STRICT CONFIDENCE BY YOU. ALL RIGHTS TO ANY INVENTIONS, DESIGNS, TRADE MARKS, TRADE NAMES AND COPYRIGHTS DISCLOSED ARE RESERVED TO TICO TERMINAL SERVICES, INC.

TICO/TERMINAL SERVICE 66 CYPRESS RIDGE DR. RIDGELAND, SC 29936 (843) 717-2226		
TITLE: HEATER-A/C ASSY QSB		
SIZE	DWG. NO.	REV
C	71537-C1	C1
SCALE: 1:6	SHEET 1 OF 1	

TICO PRO-SPOTTER				
S/N:		HEATER - A/C ASSY, QSB		72391
ITEM	PART #	QTY/M	DESCRIPTION	TASK
	71537-C1	REF	HEATER- A/C ASSY, QSB	
1	90694	1	HEATER, A/C	
2	90694-3	2	DUCT, 2" FLEX X 3' LG	
3	24117	4	2" HOSE CLAMP	
4	90694-4	3	DUCT, 3" FLEX X 2' LG	
5	24120	6	CLAMP, HOSE, 3"	
6	90694-6	1	HEATER HOSE, 5/8" X 2"	
7	24111	1	CLAMP, HOSE, 5/8"	
8	82370	6	BOLT, HEX, 1/4-20 X 1" LG	
9	85089	12	WASHER, 1/4	
10	85023	6	NUT, NYLOCK, 1/4-20	
NOT SHOWN	90191	1	VALVE, WATER CONTROL	
11	90845	1	MANIFOLD DEFROSTER, LEFT	
12	80272	2	SCREW, WOOD, # 10 X 3 LG	
13	80302	2	FINISHING WASHER, # 10	
14	80262	7	SCREW, WOOD, 5-20 X 3/4 LG	
15	90846	1	MANIFOLD DEFROSTER, RIGHT	
16	82392	2	BOLT, HEX, 1/4-20 X 1 1/2 LG	
17	80129	6	WASHER, FENDER, 1/4 X 1 1/4" OD	
18	80303	2	GROMMET, RUBBER 1/2 X 5/8 X 5/16 HOLE	
19	91695	2	LOUVER, SWIVEL BALL	
20	91696	2	NUT, LOUVER	
21	91697	2	FLANGE, RING	
22	80375	4	SCREW, PAN HD, #4 x 1/2" LG, SS	
23	90857	1	"Y" CONNECTOR, 3" X 2" X 2"	
24	90694-2	1	ADAPTER HOSE, 3"	
25	60834	1	CONDENSER	
26	61698	2	BAFFLE ANGLE	
27	40643	1	RECEIVER DRIER	
28	40644	1	BRACKET, RECEIVER DRIER	
29	20104	1	MOUNT, BRACKET	
	40630-1	1	PLATE	
	20102	1	ANGLE	
REV	DATE	BY		SHEET
				1 OF 2

TICO PRO-SPOTTER				
S/N:		HEATER - A/C ASSY, QSB		72391
ITEM	PART #	QTY/M	DESCRIPTION	TASK
30	3955040	1	SUPPORT, BASE	
31	3925344	3	BOLT, M10 X 1.50 X 30 LG	
32	4991080	1	MOUNT, COMPRESSOR	
33	3922565	1	SPACER	
34	3904987	1	BOLT, M10 X 1.50 X 150 LG	
35	3902662	2	NUT, M10 X 1.50	
36	4940787	1	BRACE, PLATE	
37	3286480	3	BOLT, M10 X 1.50 X 50 LG	
38	3958354	1	MOUNT, LINK	
39	3904446	1	BOLT, M10 X 1.50 X 70 LG	
40	3284313	1	LINK, ADJ	
41	3279043	2	NUT, M12 X 1.75	
42	3903464	1	BOLT, M10 X 1.50 X 40 LG	
43	3919624	1	PULLEY, VEE BELT, ACCESSORY DRIVE	
44	91603	1	A/C COMPRESSOR	
45	60833	1	MANIFOLD	
46	61840	1	BELT, VEE, 43 3/8 LG	
47	80343	4	BOLT, 8 MM X 1.25 X 95 MM LG	
48	85135	4	LOCKWASHER, 3/8	
49	82382	2	BOLT, HEX, 5/16-18 X 1 1/4" LG	
50	85112	4	LOCKWASHER, 5/16	
51	85024	4	NUT, NYLOCK, 5/16-18	
52	90874	1	LOUVER HEAT VENT	
53	12338	1	BRACKET, A/C HOSE CLIP	
NOT SHOWN	90754	1	SWITCH, A/C, ON/OFF	
NOT SHOWN	91519	1	SWITCH, BINARY NC	
NOT SHOWN	91520	1	HARNESS, A/C BINARY, A/C COMP	
NOT SHOWN	40641	1	SWITCH, TRINARY NC	
NOT SHOWN	61759	1	HARNESS, A/C TRINARY, A/C COMP	
NOT SHOWN	41220	1	HOSE, A/C BTM, CONDENSER TO FEM DRIER BOTTLE	
NOT SHOWN	41221	1	HOSE, A/C FLOOR, SM PORT TO MALE DRIER BOTTLE	
NOT SHOWN	41222	1	HOSE, A/C FLOOR, LG PORT TO COMPRESSOR SUCTION	
NOT SHOWN	41223	1	HOSE, A/C COMP DISCHARGE TO TOP CONDENSER	
REV	DATE	BY		SHEET
				2 OF 2
TICO MANUFACTURING - RIDGELAND, SC 29936				