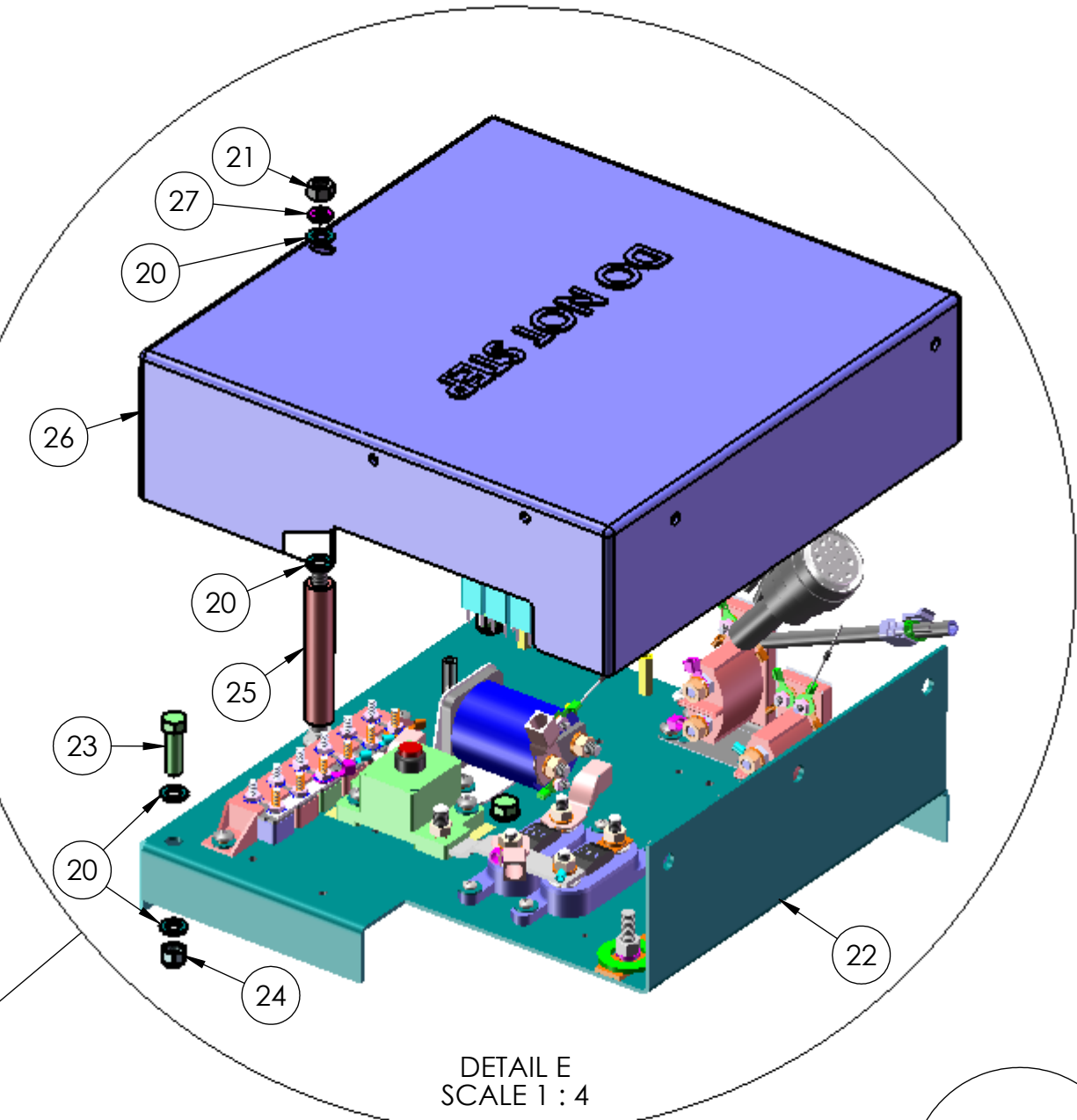
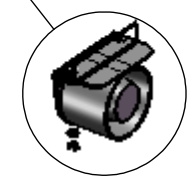
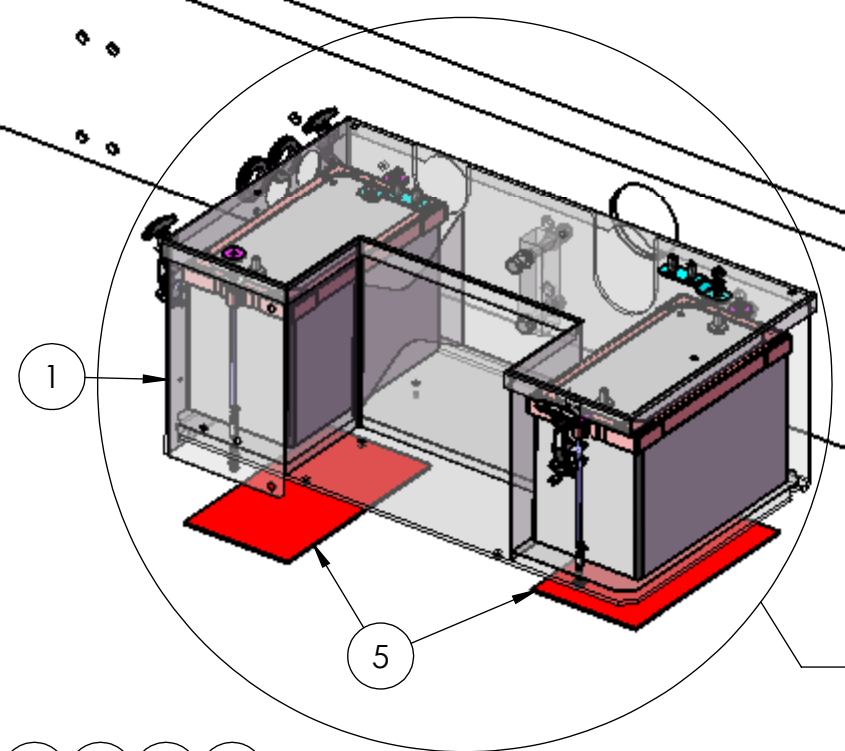


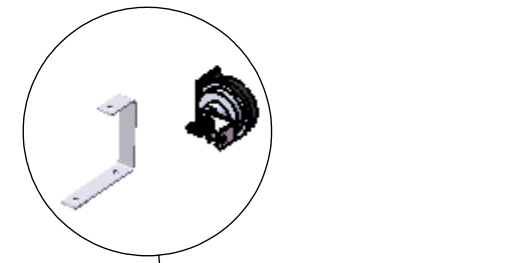
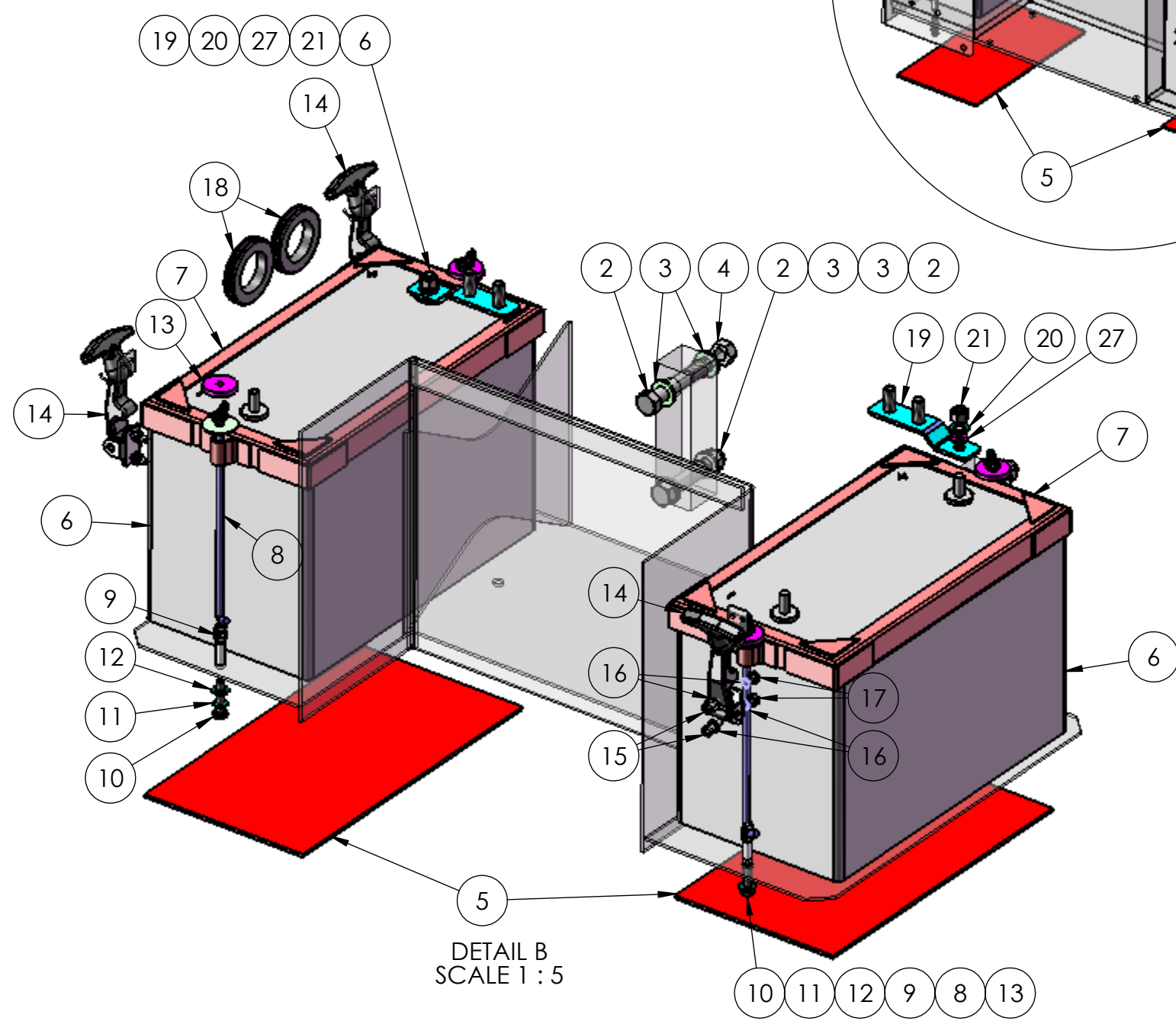
DETAIL A
SCALE 1 : 4



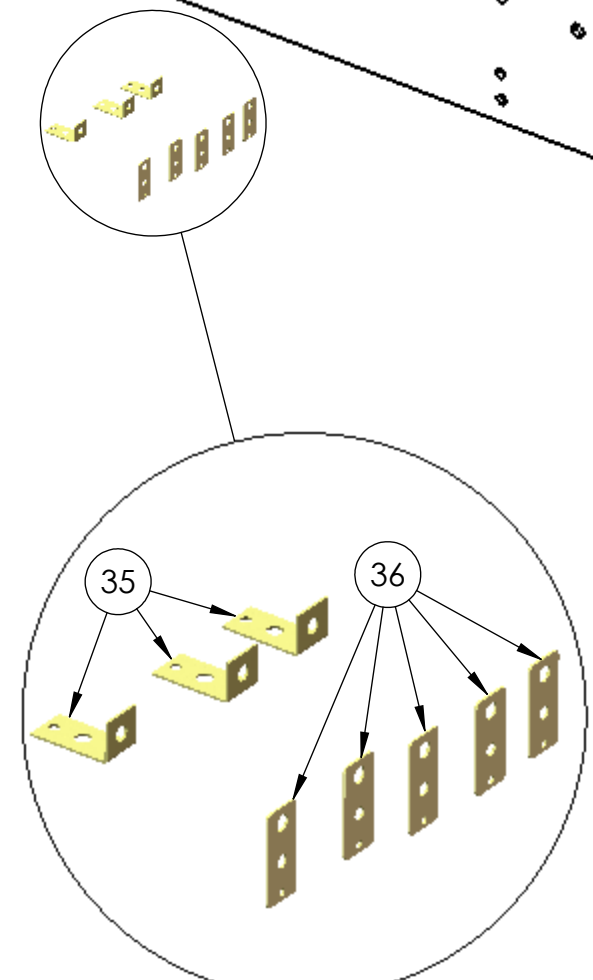
DETAIL E
SCALE 1 : 4



DETAIL B
SCALE 1 : 5



DETAIL D
SCALE 1 : 4



DETAIL C
SCALE 1 : 4

DIMENSIONS ARE IN INCHES
TOLERANCES:
DECIMAL:
X.X ± 0.06
X.XX ± 0.03
X.XXX ± 0.005
ANGULAR: ± 0.5°
FRACTIONAL: ± 1/32"

INTERPRET GEOMETRIC TOLERANCING PER: ASME 14.5M-1994

FINISH

THICKNESS

NAME	DATE
SMB	4/16/15
CHECKED	
APPROVED	

DO NOT SCALE DRAWING

THE SUBJECT MATTER SHOWN AND DESCRIBED IN THIS DRAWING AND ANY OTHER INFORMATION ADVANCED IN CONNECTION THEREWITH IS PROPRIETARY PROPERTY AND IS TO BE HELD IN STRICT CONFIDENCE BY YOU. ALL RIGHTS TO ANY INVENTIONS, DESIGNS, TRADE MARKS, TRADE NAMES AND COPYRIGHTS DISCLOSED ARE RESERVED TO TICO TERMINAL SERVICES, INC.

TICO/Terminal Service 66 CYPRESS RIDGE DR. RIDGELAND, SC 29936 (843) 717-2226		
TITLE: BATTERY & WIRING, 2 BATTERIES		
SIZE	DWG. NO.	REV
C	72382-E1	A1
SCALE: 1:12	SHEET 1 OF 1	

TICO PRO-SPOTTER				
S/N:		BATTERY & WIRING - ISB 2013, 2 BATTERIES		72382
ITEM	PART #	QTY/M	DESCRIPTION	TASK/REV
	72382-E1	REF	BATTERY & WIRING, 2 BATTERIES	
1	62201	1	BOX, BATTERY, TRIPLE	
2	82462	4	BOLT, HEX, 1/2-13 X 3 LG	
3	85093	8	WASHER, FLAT HARD, 1/2	
4	85027	4	LOCKNUT, NYLOCK, 1/2-13	
5	40210	2	RUBBER MAT, BATTERY BOX	
6	91814	2	BATTERY, 31 SERIES, 730 CCA, 12V	
7	20075	2	BATTERY HOLD DOWN	
8	20012	4	ASSEMBLY, J-BOLT	
9	20077	4	COUPLING, EYE, 1/4-20	
10	82381	4	BOLT, HEX, 1/4-20 X 1 1/4 LG	
11	85133	4	LOCKWASHER, 5/16	
12	85111	8	WASHER, FLAT HARD, 1/4	
13	20012-4	4	WASHER, .25 X 1.25 X .88, GRAY, PLASTIC	
14	20030-17	4	RUBBER LATCH	
15	80196	6	SCREW, PH, 10-32 X 3/4" LG	
16	80232	6	WASHER, FLAT, 10-32	
17	80209	6	LOCKNUT, HEX, 10-32	
18	90114	2	GROMMET	
19	90957	2	BATTERY BUSS BAR	
20	85113	4	WASHER, FLAT HARD, 3/8	
21	85136	1	NUT, HEX, 3/8-16	
22	61774	1	CHASSIS PDC	
23	82383	2	BOLT, HEX 3/8-16 X 1 1/4 LG	
24	85136	1	NUT, NYLOCK, 3/8-16	
25	61597	1	SPACER, PDC COVER	
26	91521	1	COVER, PDC PANEL	
27	85135	1	LOCKWASHER, 3/8	
	91249	1	ASSEMBLY, BACKUP, ADJUSTABLE, GROTE	
28	50226	1	ALARM, BACKUP, ADJUSTABLE, GROTE	
29	85023	2	NUT, HEX, 1/4-20	
30	90207	1	HORN, ELECTRIC	
31	85090	1	WASHER, FLAT HARD, 5/16	
32	85134	4	LOCKWASHER, 5/16	
33	85002	2	NUT, HEX, 5/16-18	
REV	DATE	BY		SHEET
				1 OF 2

TICO MANUFACTURING - RIDGELAND, SC 29936

