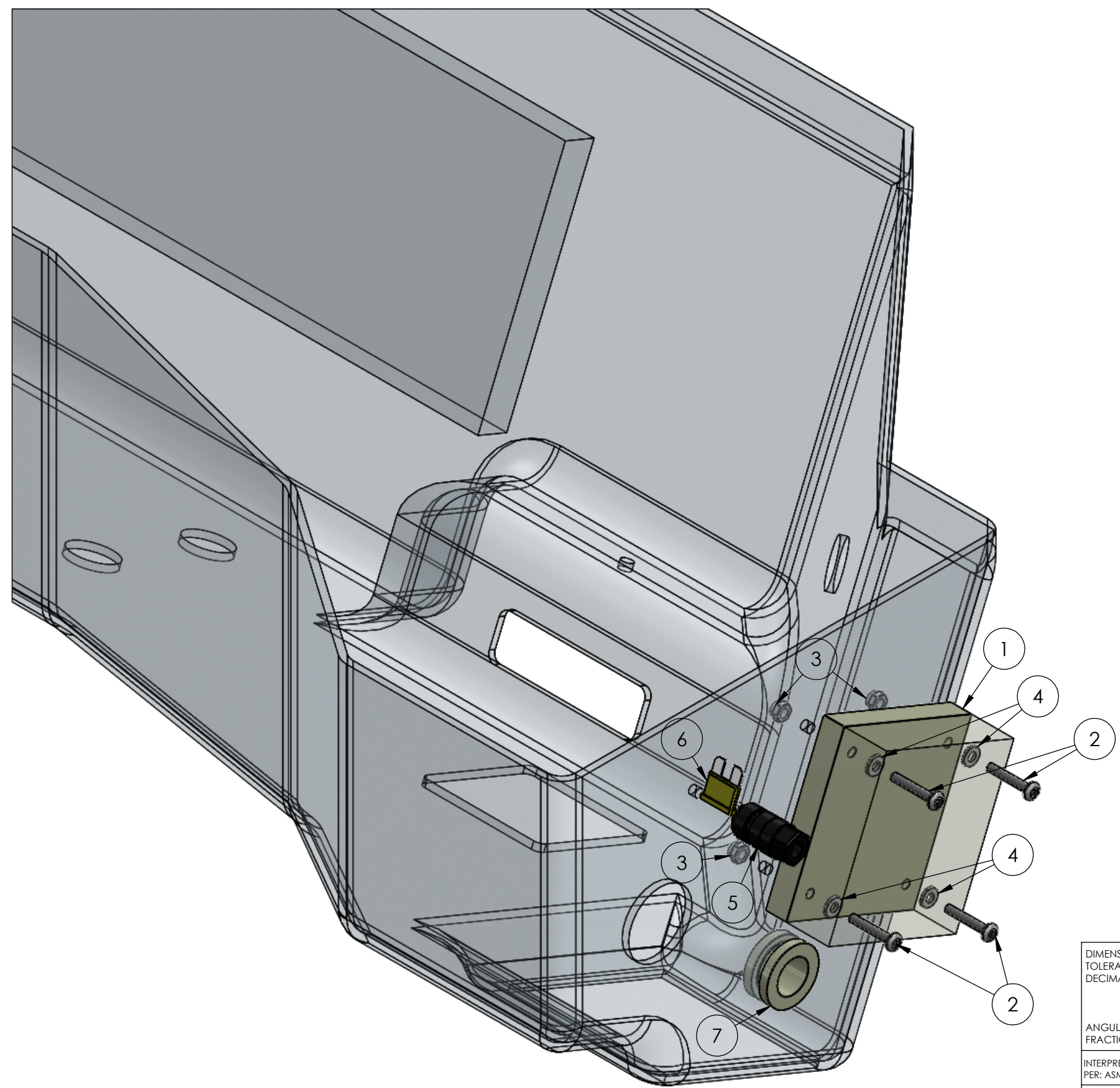



8 7 6 5 4 3 2 1

D
C
B
A

D
C
B
A



DIMENSIONS ARE IN INCHES TOLERANCES: DECIMAL: X.X ± 0.06 X.XX ± 0.03 X.XXX ± 0.005 ANGULAR: ± 0.5° FRACTIONAL ± 1/32"	NAME	DATE	 TICO/TERMINAL SERVICE 66 CYPRESS RIDGE DR. RIDGELAND, SC 29936 (843) 717-2226	
	DRAWN	SB		3/28/2014
	CHECKED			
	APPROVED			
INTERPRET GEOMETRIC TOLERANCING PER: ASME 14.5M-1994	DO NOT SCALE DRAWING		TITLE:	
MATERIAL			CAB AUXILIARY POWER - BATTERY/IGN	
FINISH	SIZE	DWG. NO.	REV	
THICKNESS	B	72375-A1		
	SCALE: 1:4	WEIGHT:	SHEET 1 OF 1	

8 7 6 5 4 3 2 1

