

8 7 6 5 4 3 2 1

D

C

B

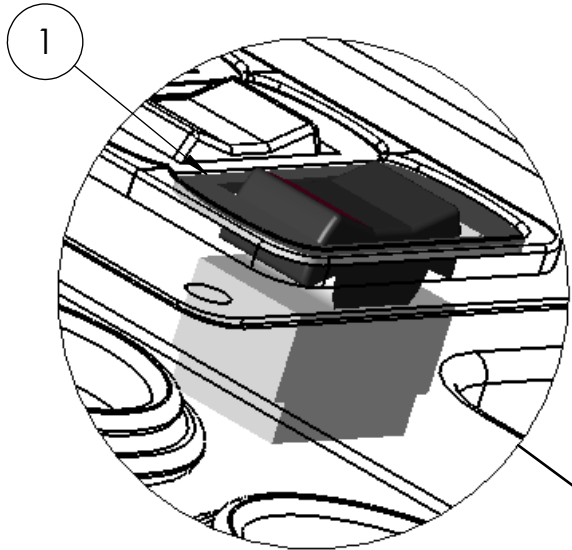
A

D

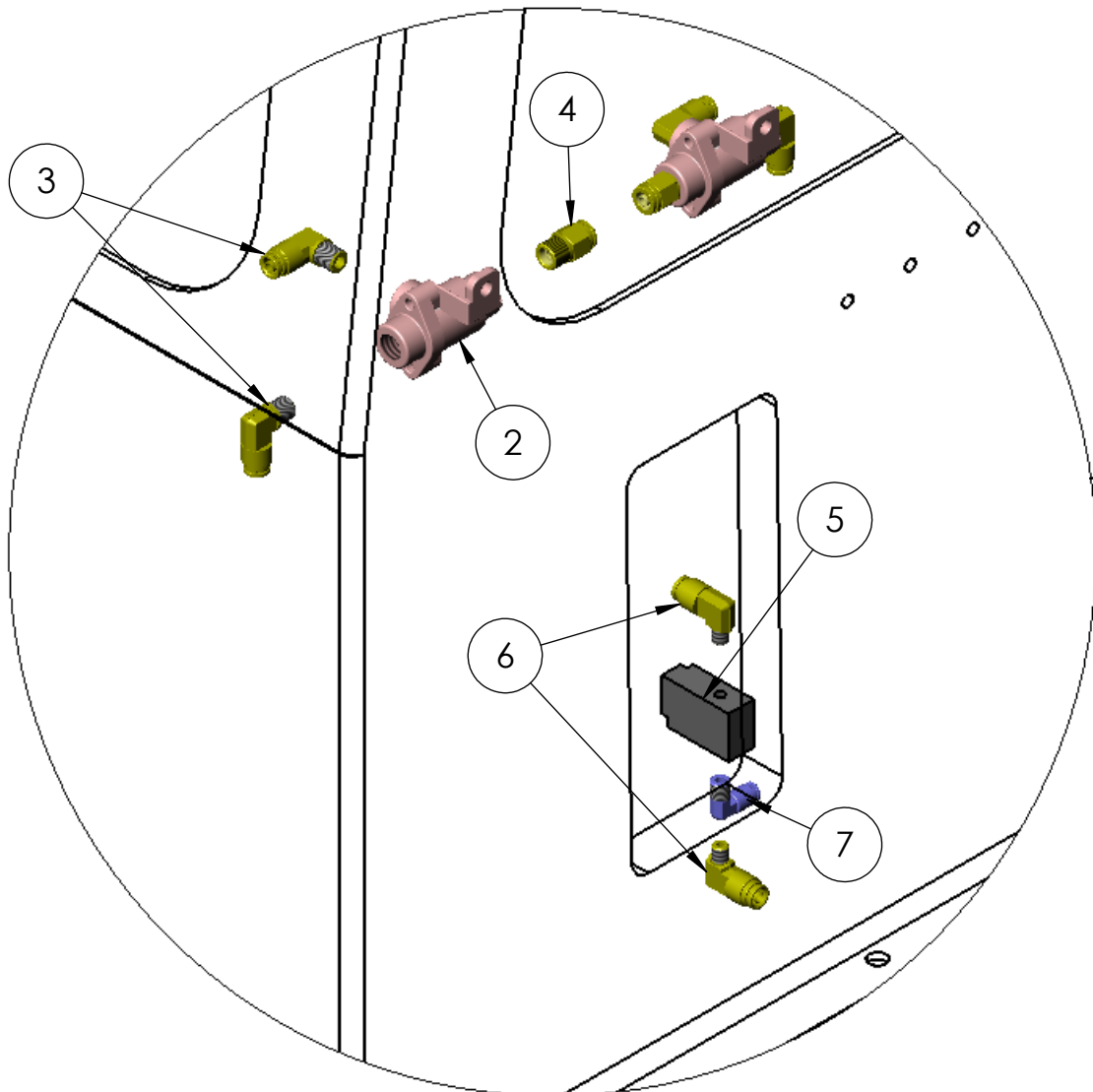
C

B

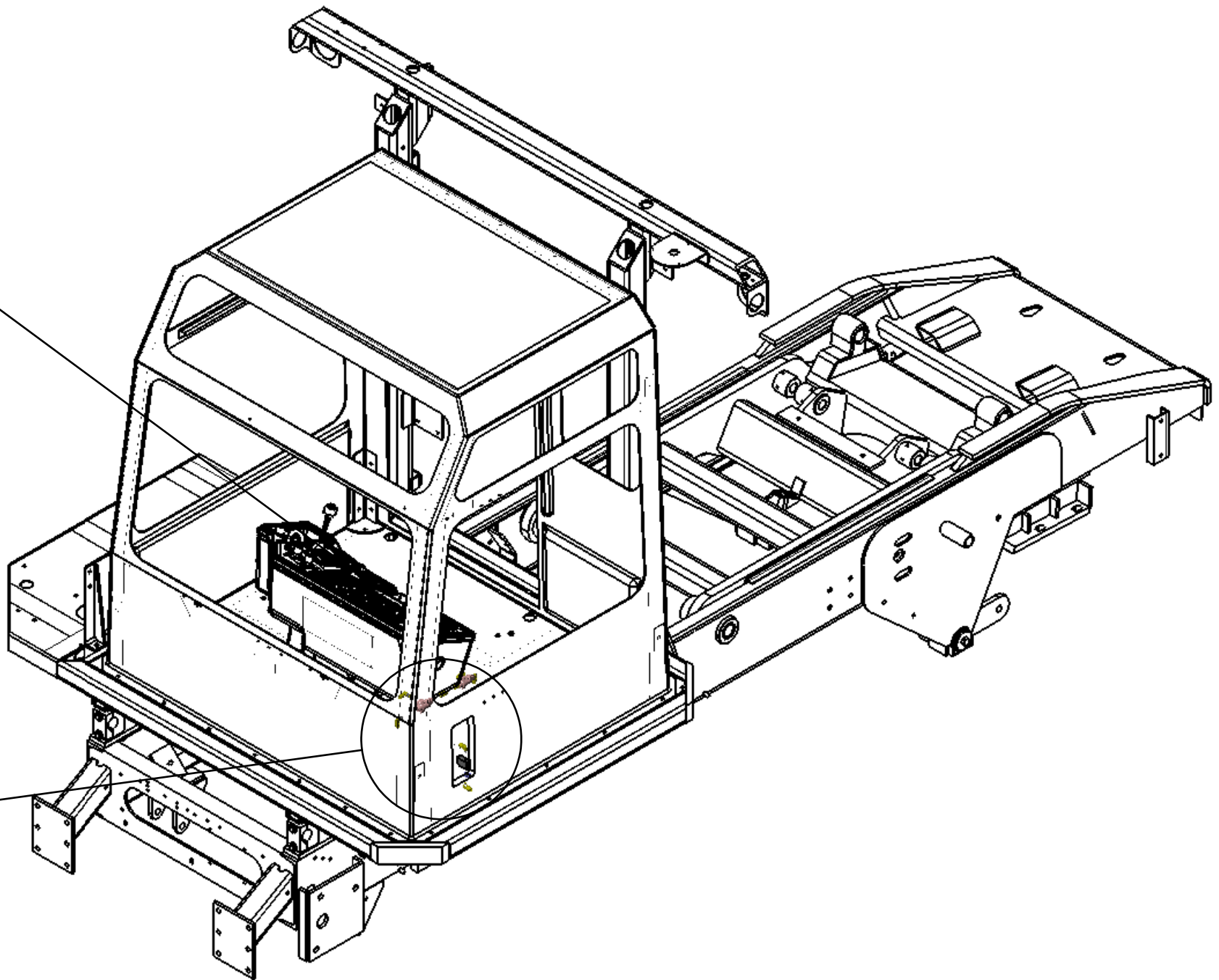
A



DETAIL B
SCALE 1 : 1



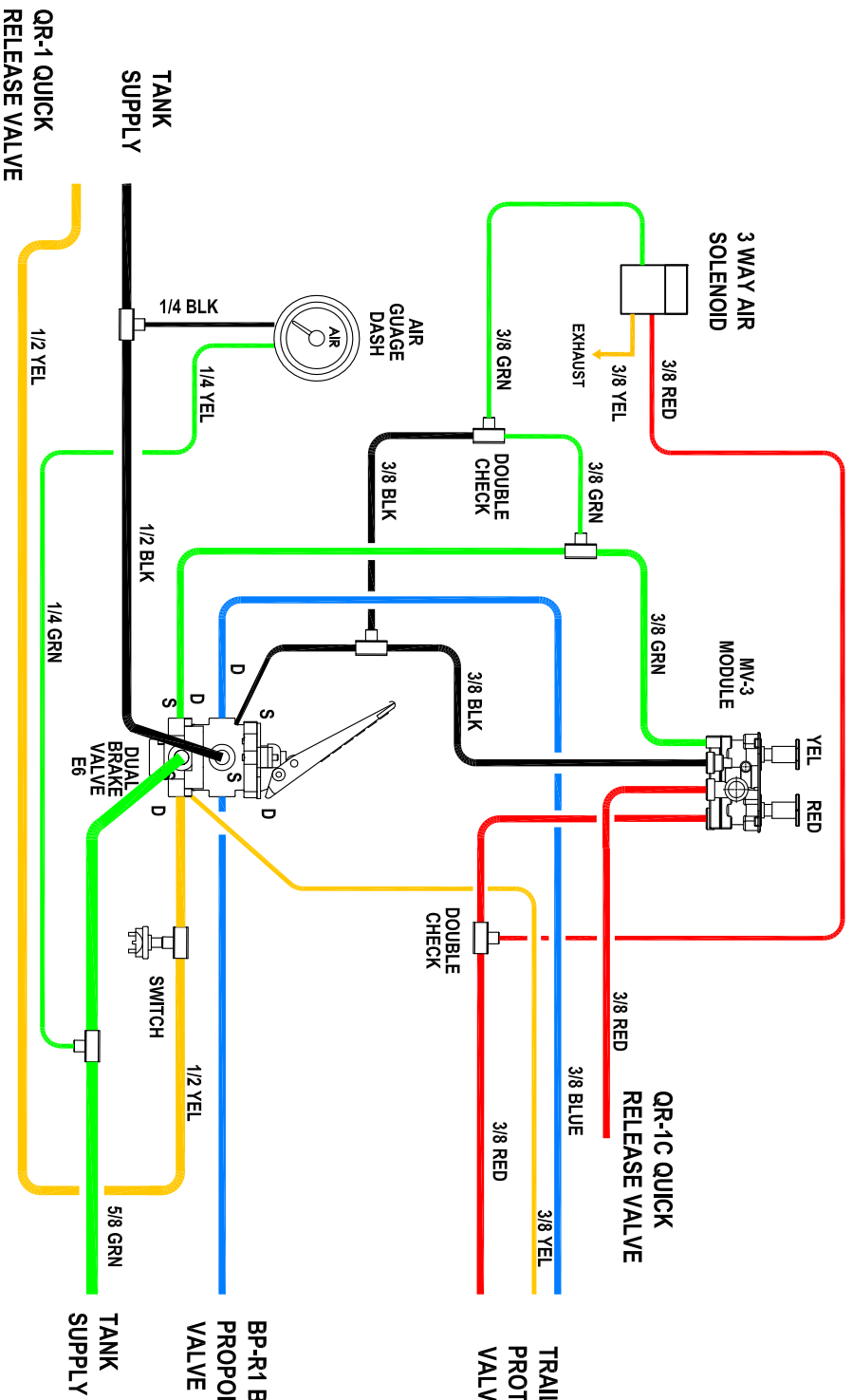
DETAIL A
SCALE 1 : 4



DIMENSIONS ARE IN INCHES TOLERANCES: DECIMAL: X.X ± 0.06 X.XX ± 0.03 X.XXX ± 0.005 ANGULAR: ± 0.5° FRACTIONAL ± 1/32"	DRAWN JM	NAME JM	DATE 1/30/15	TICO/TERMINAL SERVICE 66 CYPRESS RIDGE DR. RIDGELAND, SC 29936 (843) 717-2226	
	CHECKED				
	APPROVED				
	DO NOT SCALE DRAWING				
INTERPRET GEOMETRIC TOLERANCING PER: ASME 14.5M-1994	THE SUBJECT MATTER SHOWN AND DESCRIBED IN THIS DRAWING AND ANY OTHER INFORMATION ADVANCED IN CONNECTION THEREWITH, IS PROPRIETARY PROPERTY AND IS TO BE HELD IN STRICT CONFIDENCE BY YOU. ALL RIGHTS TO ANY INVENTIONS, DESIGNS, TRADE MARKS, TRADE NAMES AND COPYRIGHTS DISCLOSED ARE RESERVED TO TICO TERMINAL SERVICES, INC.			TITLE: AUXILIARY BRAKE	
MATERIAL	FINISH	THICKNESS	SIZE B	DWG. NO. 72343-B1	REV
			SCALE: 1:10	WEIGHT: 5060.13	SHEET 1 OF 1

8 7 6 5 4 3 2 1

REV.	DESCRIPTION	ECN	DATE	APPROVED
A	PRODUCTION RELEASE	14270	4-17-16	

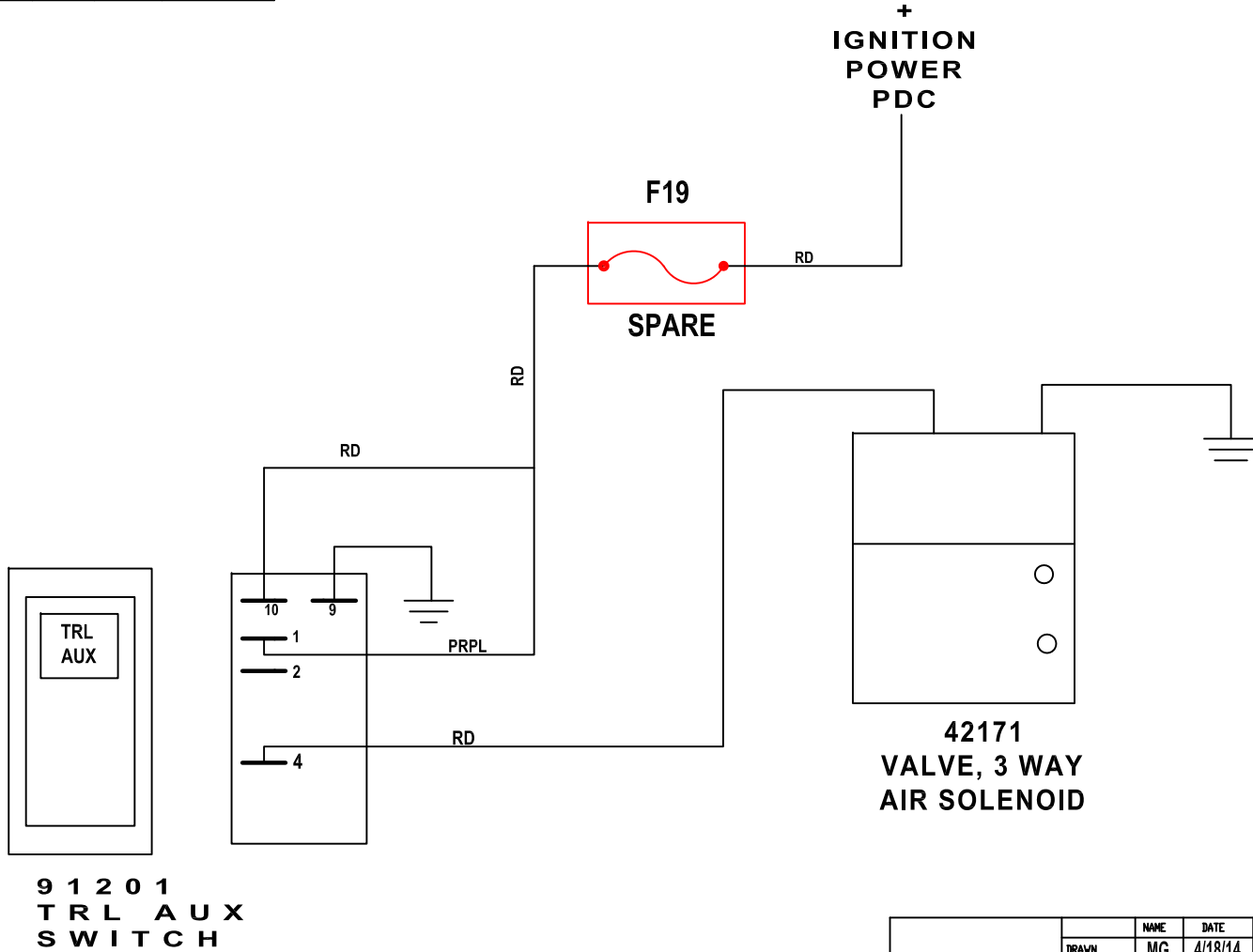



TITLE: AIR SCHEMATIC AUX TRAILER BRAKE			
SIZE DWG. NO. 12749		REV A	
SCALE: 1:10		WEIGHT:	
SHEET 1 OF 1			
DRAWN: M/G DATE: 4/17/14	NAME:	DATE:	
CHECKED:			
DO NOT SCALE DRAWING			
THE SUBJECT MATTER SHOWN AND ANY INFORMATION CONTAINED HEREIN IS TO BE USED FOR THE PURPOSES SPECIFIED IN THE CONTRACT ONLY. THE USER ASSUMES ALL LIABILITY FOR ANY AND ALL INVENTIONS, PATENTS, TRADEMARKS, TRADE NAMES, TRADE SECRETS AND SERVICE TO FIELD TERMINAL SERVICES, INC.			
MATERIAL:			
FINISH:			
THICKNESS:			

8 7 6 5 4 3 2 1

A B C D

REV.	DESCRIPTION	ECN	DATE	APPROVED
A	PRODUCTION RELEASE	14270	4/18/14	



	NAME	DATE				
	DRAWN	MG			4/18/14	
	CHECKED					
	APPROVED			TITLE:		
DO NOT SCALE DRAWING				SCHEMATIC - WIRING, TRL AUX SWITCH		
<small>THE SUBJECT MATTER SHOWN AND DESCRIBED IN THIS DRAWING AND ANY OTHER INFORMATION ADVANCED IN CONNECTION THEREWITH, IS PROPRIETARY PROPERTY AND IS TO BE HELD IN STRICT CONFIDENCE BY YOU. ALL RIGHTS TO ANY INVENTIONS, DESIGN, TRADE MARKS, TRADE NAMES AND COPYRIGHTS DISCLOSED ARE RESERVED TO TICO TERMINAL SERVICES, INC.</small>				SIZE	DWG. NO.	REV
				B	62305	A
				SCALE: 1:10	WEIGHT:	SHEET 1 OF 1