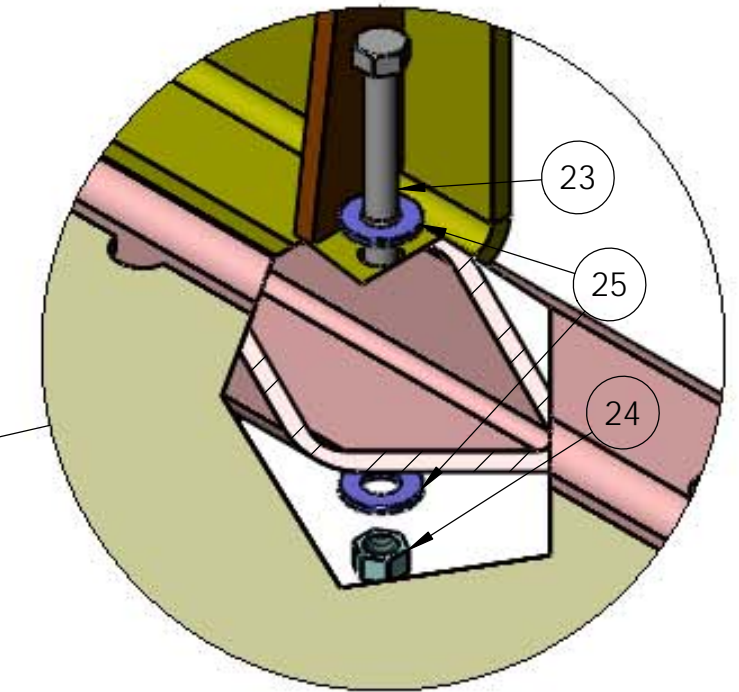
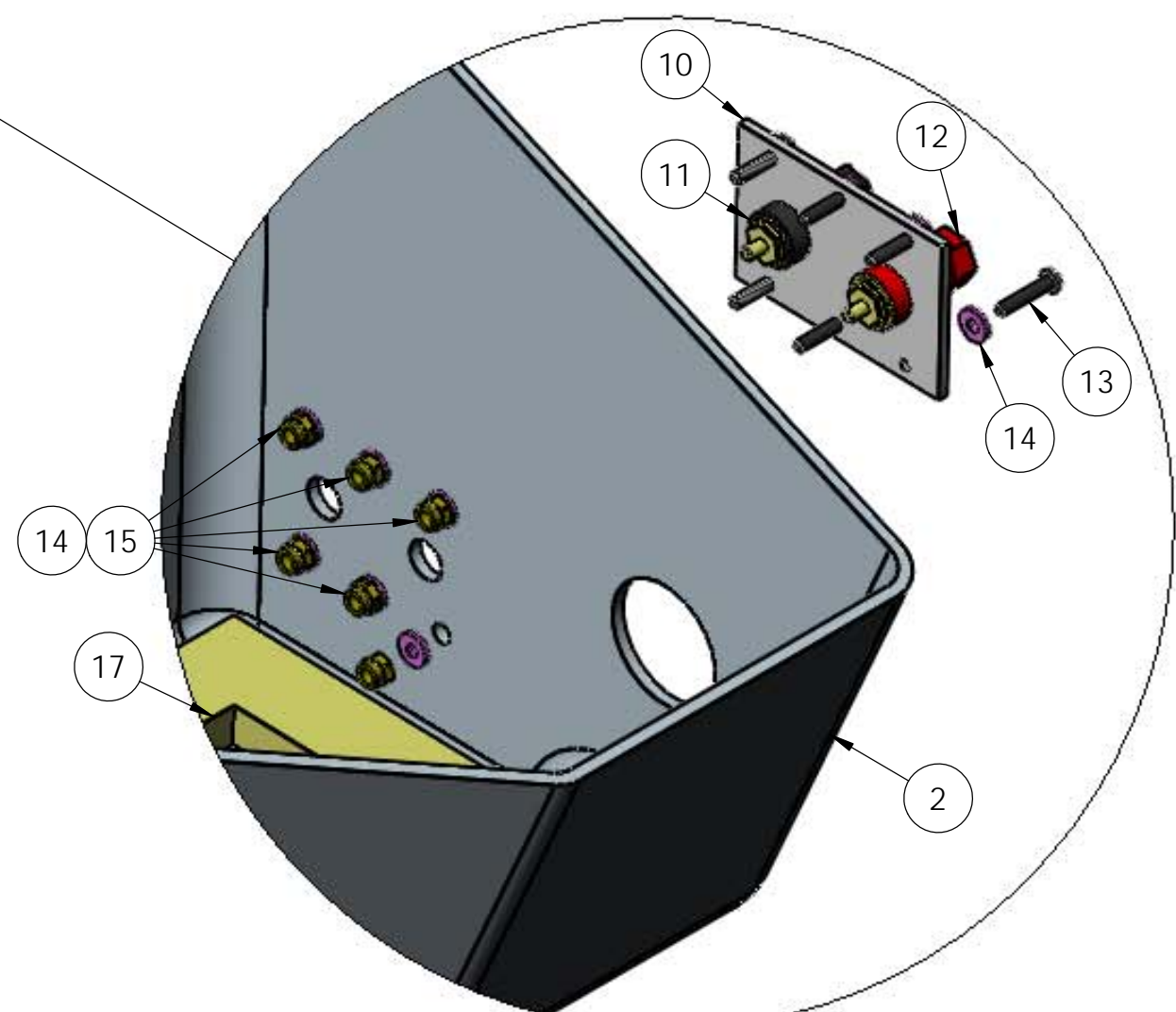


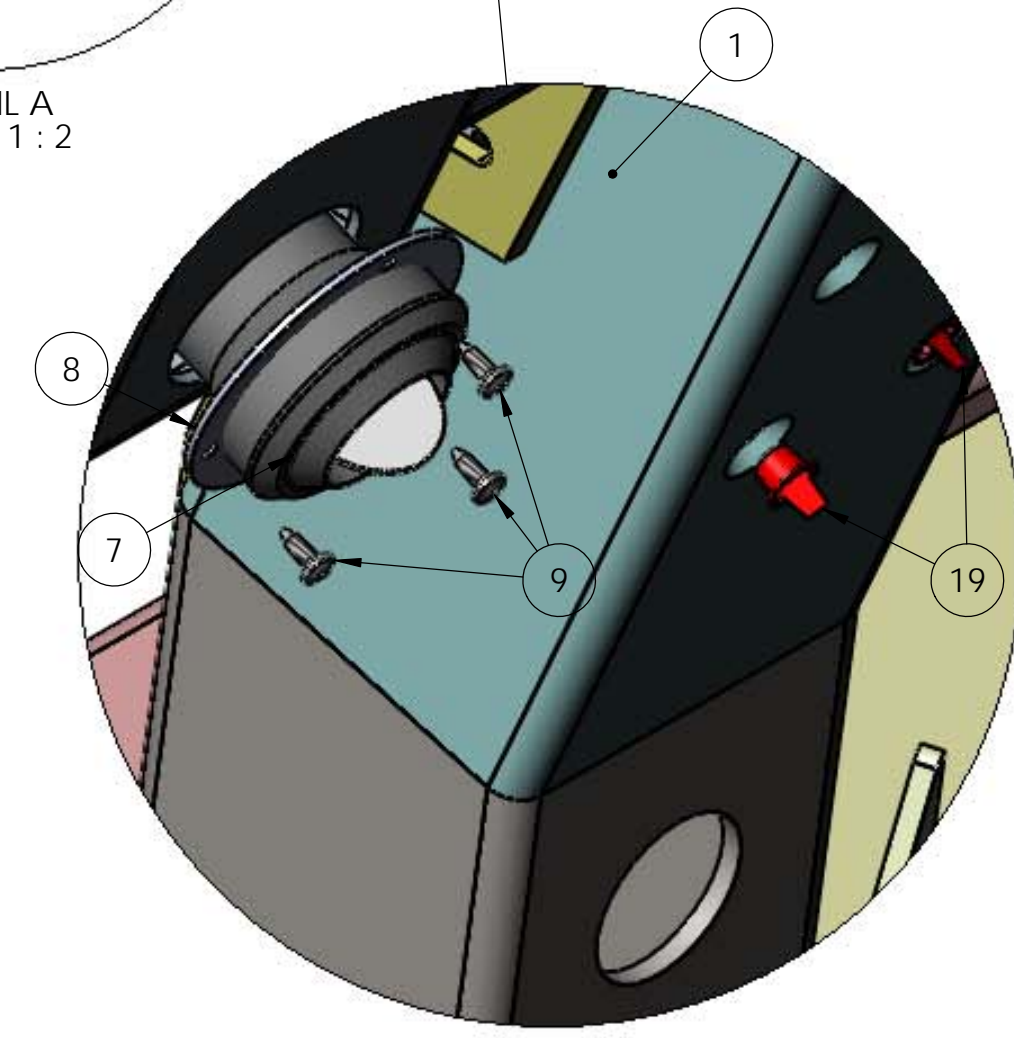
DETAIL A
SCALE 1 : 2



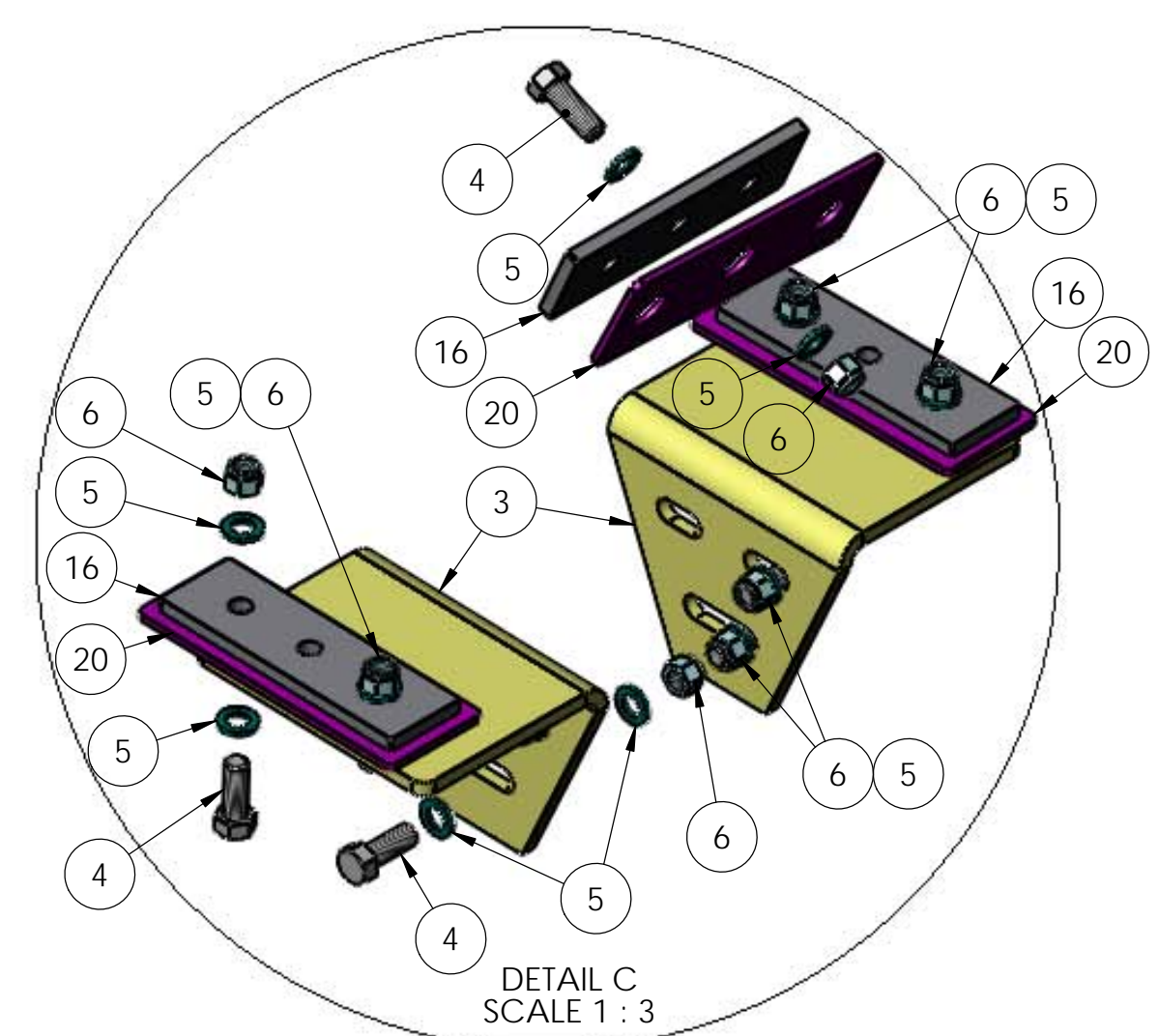
DETAIL E
SCALE 1 : 3



DETAIL D
SCALE 1 : 2



DETAIL B
SCALE 1 : 2



DETAIL C
SCALE 1 : 3

DIMENSIONS ARE IN INCHES		NAME	DATE	TICO/TERMINAL SERVICE 66 CYPRESS RIDGE DR. RIDGELAND, SC 29936 (843) 717-2226	
TOLERANCES:		DRAWN	RWC		7/8/11
DECIMAL:		CHECKED			
.XX ± 0.1250 .XXX ± 0.0625 .XXXX ± 0.0313		APPROVED			
ANGULAR:		DO NOT SCALE DRAWING			
FRACTIONAL ± 1/16"		THE SUBJECT MATTER SHOWN AND DESCRIBED IN THIS DRAWING AND ANY OTHER INFORMATION ADVANCED IN CONNECTION THEREWITH, IS PROPRIETARY PROPERTY AND IS TO BE HELD IN STRICT CONFIDENCE BY YOU. ALL RIGHTS TO ANY INVENTIONS, DESIGNS, TRADE MARKS, TRADE NAMES AND COPYRIGHTS DISCLOSED ARE RESERVED TO TICO TERMINAL SERVICES, INC.			
INTERPRET GEOMETRIC TOLERANCING PER: ASME 14.5M-1994		TITLE: FLOOR ASSY - DASH			
MATERIAL		SIZE	DWG. NO.	REV	
FINISH		C	72299-B1	A	
THICKNESS		SCALE: 1:12	WEIGHT: 765.16	SHEET 1 OF 1	

TICO PRO-SPOTTER

S/N: FLOOR ASS'Y-GALVANIZED RDS 72299

ITEM	PART #	QTY/M	DESCRIPTION	TASK
	72299-B1	REF	FLOOR ASSEMBLY, RDS TRANS	
1	91745	1	FLOOR ASSEMBLY, GALVANIZED	
2	20165	1	DASH BUCKET, RDS TRANS	
3	90811	2	DASH BUCKET, BRACKET	
4	82372	4	BOLT, HEX, 3/8-16 X 1" LG	
5	85113	8	WASHER, 3/8	
6	85036	4	NUT, NYLOCK, 3/8-16	
	90830	REF	DASH VENT, ASSEMBLY	
7	90831	2	ADAPTER, UPPER ASSEMBLY	
8	90829	2	MOUNTING PLATE, DASH VENT	
9	80294	6	SCREW, 10-32 X 1/2 LG	
10	90587	1	ELECTRICAL SUPPLY BOARD	
11	90585	1	INSULATED BINDING POST (RED)	
12	90586	1	INSULATED BINDING POST (BLK)	
13	80180	6	PAN HD 6-32 X 3/4" LG	
14	80230	12	WASHER, 6-32	
15	80207	6	NUT, NYLON, 6-32	
16	90890	3	STRIP WASHER	
17	91189	1	SEAL, DASH BUCKET	
18	30178	1	PLUG, PVC, 1 1/4 NPT	
19	42081	2	CAPLUG-DASH PEDESTAL	
20	12351	AS REQD	SHIM-CAB PIVOT	
21	40140	1	GROMMET, 1" RUBBER, 3/4 ID X 1 1/6 GROOVE X 1/4 WIDTH	
22	60947-6	1	BRACKET, SURGE TANK	
	60947-7	1	BRACKET, TANK	
	60947-8	2	GUSSET	
23	82506	3	BOLT, HEX, 1/2-13 NC X 4" LG	
24	85027	3	NUT, NYLOCK, 1/2-13 NC	
25	85104	6	WASHER, FLAT, 1/2	
REV	DATE	BY		SHEET
				1 OF 1