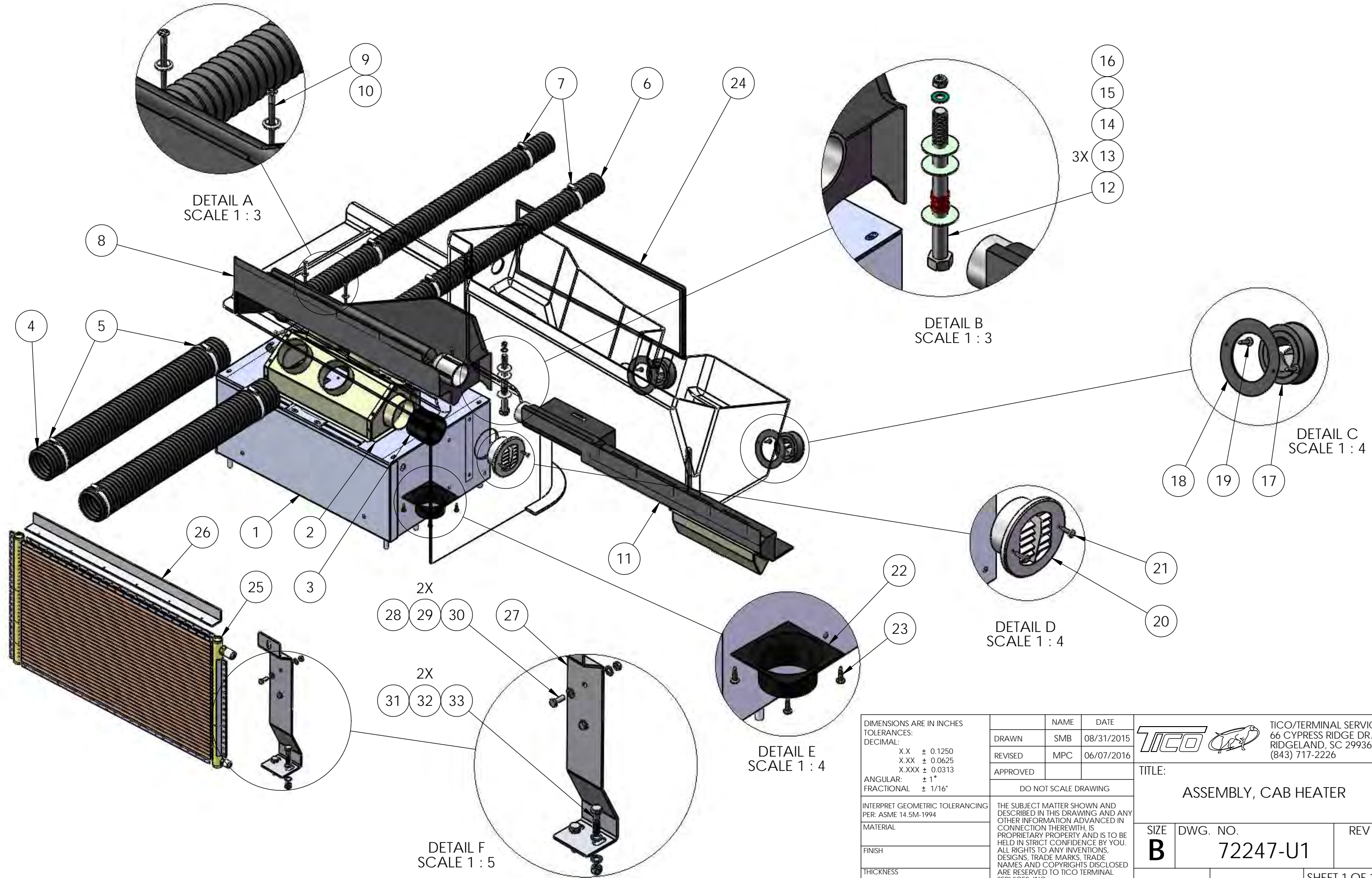



8 7 6 5 4 3 2 1

D
C
B
A

D
C
B
A



DIMENSIONS ARE IN INCHES		NAME	DATE	 TICO/TERMINAL SERVICE 66 CYPRESS RIDGE DR. RIDGELAND, SC 29936 (843) 717-2226
TOLERANCES:		DRAWN	SMB 08/31/2015	
DECIMAL:		REVISED	MPC 06/07/2016	TITLE: ASSEMBLY, CAB HEATER
X.X ± 0.1250		APPROVED		
X.XX ± 0.0625		DO NOT SCALE DRAWING		SIZE DWG. NO. REV B 72247-U1
X.XXX ± 0.0313		THE SUBJECT MATTER SHOWN AND DESCRIBED IN THIS DRAWING AND ANY OTHER INFORMATION ADVANCED IN CONNECTION THEREWITH, IS PROPRIETARY PROPERTY AND IS TO BE HELD IN STRICT CONFIDENCE BY YOU. ALL RIGHTS TO ANY INVENTIONS, DESIGNS, TRADE MARKS, TRADE NAMES AND COPYRIGHTS DISCLOSED ARE RESERVED TO TICO TERMINAL SERVICES, INC.		
ANGULAR: ± 1°				SHEET 1 OF 1
FRACTIONAL ± 1/16"				
INTERPRET GEOMETRIC TOLERANCING PER: ASME 14.5M-1994				
MATERIAL				
FINISH				
THICKNESS				

8 7 6 5 4 3 2 1

TICO PRO-SPOTTER				
S/N:		ASSEMBLY, HEATER, QSB III		72247
ITEM	PART #	QTY/M	DESCRIPTION	
	72017A	REF	ASSEMBLY, HEATER, A/C, QSB IV	
	62403	REF	SCHEMATIC, A.C. SYSTEM, ACC HI-LO PRESSURE SWITCH, FAN CLUTCH	
1	91722	1	MODULE, HEATER, A/C, ACC	
NS	91921	1	MAT, HEATER	
2	91722-36	1	ASSEMBLY, PLENUM, CABLE CONTROL	
3	91722-16	1	ADAPTER, HOSE, 3" TO 2-1/2"	
NS	91722-6	2 FT	HOSE, ULTRA SMOOTH, 2 1/2 INSIDE DIAMETER	
NS	20337	2	CLAMP, WORMGEAR, LINER, 2 1/2" DIAMETER HOSE	
4	91722-26	2.88 FT	HOSE, 3" FLEX	
	91722-26	1.75 FT	HOSE, 3" FLEX	
	91722-26	1.00 FT	HOSE, 3" FLEX	
5	42299	6	CLAMP, WORMGEAR, LINER, 3" DIAMETER HOSE	
6	91722-4	6 FT	HOSE, 2" FLEX	
	91722-4	5 FT	HOSE, 2" FLEX	
7	42157	4	CLAMP, WORMGEAR, LINER, 2" DIAMETER HOSE	
8	91783	1	DEFROSTER, MANIFOLD, LEFT-HAND	
9	80272	2	SCREW, WOOD, 10-32 X 3 LONG	2 1/2"(FIELD)
10	80302	2	WASHER, FINISHING, 1/4	
11	91828	1	DEFROSTER, MANIFOLD, RIGHT-HAND	
12	82392	2	BOLT, HEX HEAD, 1/4-20 X 1 1/2 LONG	
13	80129	6	WASHER, FENDER, 1/4-20 X 1 1/4 LONG	
14	80303	3	GROMMET, RUBBER, 1/2 X 5/8 X 5/16 HOLE	
15	85089	2	WASHER, FLAT, 1/4-20	
16	85023	2	LOCKNUT, 1/4-20	
17	91722-13	2	LOUVER, 2-1/2" (NO ADAPTER BALL)	
NS	91722-14	2	ADAPTER, BALL LOUVER, 2" HOSE	
18	91722-15	2	RING, LOUVER TRIM	
19	80262	2	SCREW, WOOD, 5-20 X 3/4 LONG	10-32 & 1/2" (FROM FIELD)
20	91722-18	1	LOUVER, DOWNDRAFT, FIXED, 3"	
21	80262	4	SCREW, WOOD, 5-20 X 3/4 LONG	10-32 (FIELD)
22	91722-17	1	ADAPTER, 3" HOSE FLANGED	
23	80262	2 (4?)	SCREW, WOOD, 5-20 X 3/4 LONG	10-32 & 1/2" (FROM FIELD)
24	920011	1	FILTER, HEATER/AC, PERMATRON, 20 1/2 X 8	
25	91737	1	CONDENSER	
26	62264	2	BAFFLE ANGLE	
NS	12338	1	BRACKET, HOSE, A/C CLIP	
REV	DATE	BY		SHEET
U	06/06/2016	MPC		1 OF 3

TICO PRO-SPOTTER				
S/N:		ASSEMBLY, HEATER, QSB III		72247
ITEM	PART #	QTY/M	DESCRIPTION	
27	12726	1	BRACKET, ACC ACCUMULATOR MOUNT	
28	82359	2	BOLT, HEX HEAD, 1/4-20 X 3/4 LONG (CRADLE TO BRACKET)	
29	85089	4	WASHER, HARDENED, 1/4 (CRADLE TO BRACKET)	
30	85023	2	LOCKNUT, NYLON, 1/4-20 (CRADLE TO BRACKET)	
31	82394	2	BOLT, HEX HEAD, 3/8-16 X 1-1/2 LONG (BRACKET TO FRAME)	
32	85091	4	WASHER, HARDENED, 3/8 (BRACKET TO FRAME)	
33	85025	2	LOCKNUT, NYLON, 3/8-16 (BRACKET TO FRAME)	
NS	91722-31	1	A/C, COMPRESSOR	
NS	62086	1	MANIFOLD	
NS	61840	1	BELT, VEE, 43 3/8 LONG	
NS	80343	4	BOLT, HEX HEAD, CLASS 10.9, 8MM X 1.25 X 95 MM LONG	
NS	91722-9	1	HOSE ASSEMBLY, COMPRESSOR DISCHARGE TO CONDENSER	
NS	91722-10	1	HOSE ASSEMBLY, CONDENSER TO EVAPORATOR	
NS	91722-11	1	HOSE ASSEMBLY, EVAPORATOR TO ACCUMULATOR	
NS	91722-35	1	HOSE ASSEMBLY, TIER III ACCUMULATOR TO COMPRESSOR	
NS	91722-19	1	O-RING, #6 R134a	
NS	91722-20	3	O-RING, #8 R134a	
NS	91722-21	2	O-RING, #10 R134a	
NS	91722-22	2	O-RING, #12 R134a	
NS	42149	6	CLAMP, WORMGEAR, LINER, 5/8" HOSE	
NS	91722-24	2	P-CLAMP, 2" I.D. VINYL DIPPED	
NS	91722-30	1	ASSEMBLY, ACCUMULATOR	
NS	91722-2	1	ASSEMBLY, HIGH PRESSURE, SWITCH	
NS	91722-3	1	ASSEMBLY, LOW PRESSURE, SWITCH	
NS	62393	1	WIRE HARNESS, A.C. SYSTEM, ACC HI-LO PRESSURE SWITCH	
NS	620470	1	WIRE HARNESS, AC THERMOSTAT, BYPASS	
NS	90754	1	SWITCH-A/C ON-OFF	
NS	920001	1	VALVE, HEATER FLOW CONTROL, INVERTED	
NS	12067	1	BRACKET, STANDOFF (HEATER LINES)	
REV	DATE	BY		SHEET
U	06/06/2016	MPC		2 OF 3
TICO MANUFACTURING - RIDGELAND, SC 29936				

