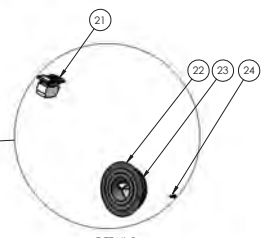
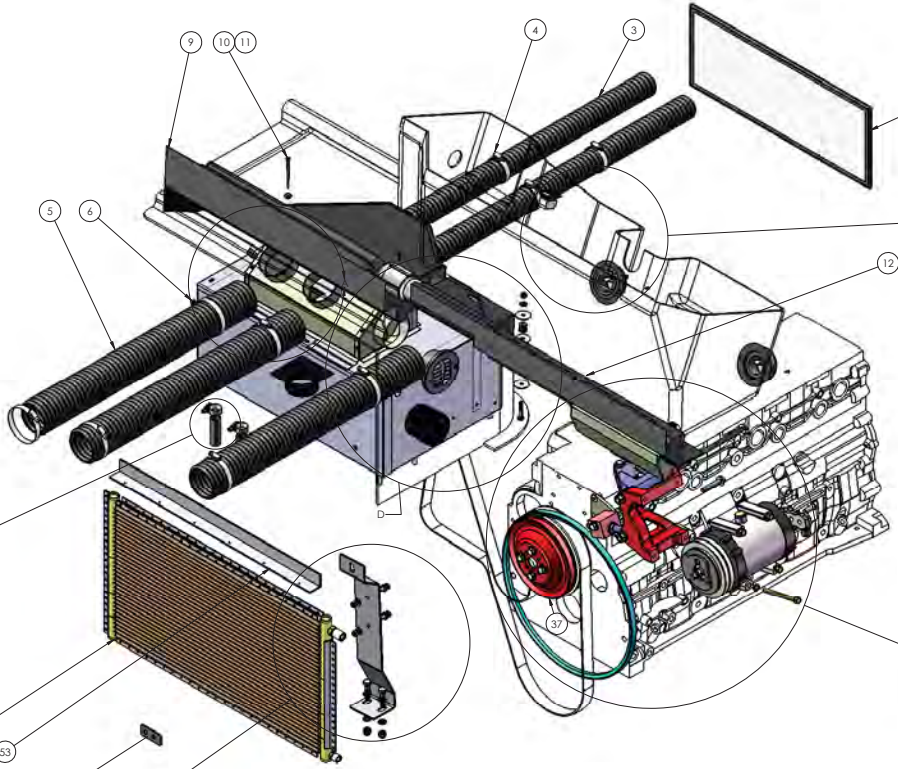
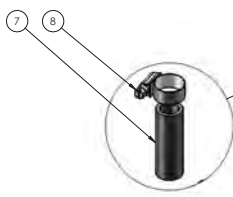


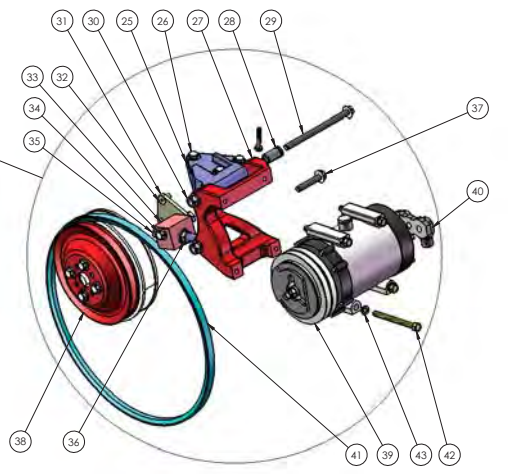
DETAIL A
SCALE 1 : 2



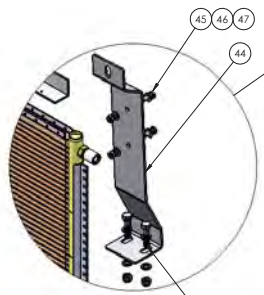
DETAIL B
SCALE 1 : 4



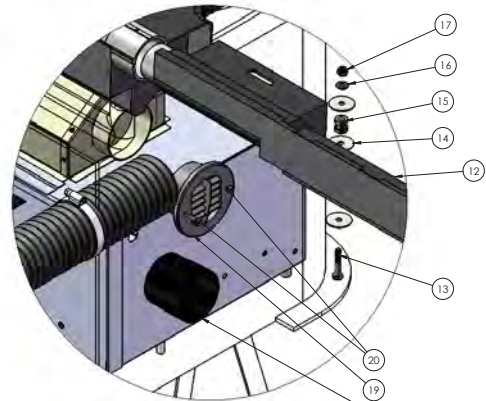
DETAIL F
SCALE 1 : 2



DETAIL C
SCALE 1 : 4



DETAIL E
SCALE 1 : 4



DETAIL D
SCALE 1 : 3

UNFINISHED ARE IN INCHES	DATE	SCALE	REV
TOLERANCES UNLESS SPECIFIED:	DESIGN	DATE	7/9/15
FRACTIONAL .005	REVISED	DATE	3/14/2016
DECIMAL .015	APPROVED		
ANGULAR 1/2°			
FUNCTIONAL 1/4°			
ISSUES GEOMETRIC TOLERANCING BY NAME OR VALUE	THE SUBJECT MATTER SHOWN AND DESCRIBED IN THE DRAWING AND ANY INSTRUMENTS THEREON ARE THE PROPERTY OF WECO. ALL RIGHTS TO ANY INVENTION OR PATENT ARE RESERVED TO WECO.		
DESIGNER	TITLE: HEATER & A/C ASSEMBLY		
DRAWN	SIZE	DWG. NO.	REV
	D	72273-U1	
	SCALE: 1:4	WEIGHT:	SHEET 1 OF 1

D 72273-U1

TICO PRO-SPOTTER				
S/N:		HEATER, A/C ASSEMBLY, ACC		72237
ITEM	PART #	QTY/M	DESCRIPTION	TASK
	72237-U1	REF	HEATER, A/C, ASSEMBLY	
1	91722	1	MODULE, HEATER, A/C, ACC	
2	91722-36	1	ASSEMBLY, PLENUM, CABLE CONTROL	
3	91722-26	2.88 FT	HOSE, 3" FLEX	
-	91722-26	1.75 FT	HOSE, 3" FLEX	
-	91722-26	1.00 FT	HOSE, 3" FLEX	
4	42299	6	CLAMP, HOSE, 3"	
5	91722-4	6 FT	HOSE, 2" FLEX	
-	91722-4	5 FT	HOSE, 2" FLEX	
NOT SHOWN	91722-6	2 FT	HOSE, 2 1/2 INSIDE DIAMETER, ULTRA SMOOTH	
6	42157	4	CLAMP, WORMGEAR, LINER, 2" DIAMETER HOSE	
7	420302	59 IN	HOSE, BULK, HEATER HOSE, 5/8" INSIDE DIAMETER	
-	420302	60 IN	HOSE, BULK, HEATER HOSE, 5/8" INSIDE DIAMETER	
-	420302	6 IN	HOSE, BULK, HEATER HOSE, 5/8" INSIDE DIAMETER	
8	42149	1	CLAMP, HOSE, 5/8"	
9	91783	1	MANIFOLD DEFROSTER, (LEFT)	
10	80272	2	SCREW, WOOD, #10 X 3 LONG	
11	80302	2	FINISHING WASHER, #10	
12	91828	1	MANIFOLD DEFROSTER, (RIGHT)	
13	82392	2	BOLT, HEX, 1/4-20 X 1 1/2 LONG	
14	80129	6	WASHER, FENDER, 1/4 X 1 1/4" OUTSIDE DIAMETER	
15	80303	2	GROMMET, RUBBER 1/2 X 5/8 X 5/16 HOLE	
16	85089	12	WASHER, NARROW, 1/4"	
17	85023	6	NUT, LOCK, NYLON, 1/4-20	
18	91722-16	1	ADAPTER HOSE, 3"	
19	91722-18	1	LOUVER, 3", DOWNDRAFT	
20	80262	6	SCREW, WOOD, 5-20 X 3/4 LONG	
21	90754	1	SWITCH, A/C, ON/OFF	
22	91695	2	LOUVER, NO ADAPTER BALL	
23	91722-15	2	RING, LOUVER, TRIM	
24	80375	4	SCREW, PAN HD, #4 x 1/2" LONG, STAINLESS STEEL	
REV	DATE	BY		SHEET
U	3/14/2016	DFM		1 OF 3

TICO MANUFACTURING - RIDGELAND, SC 29936

