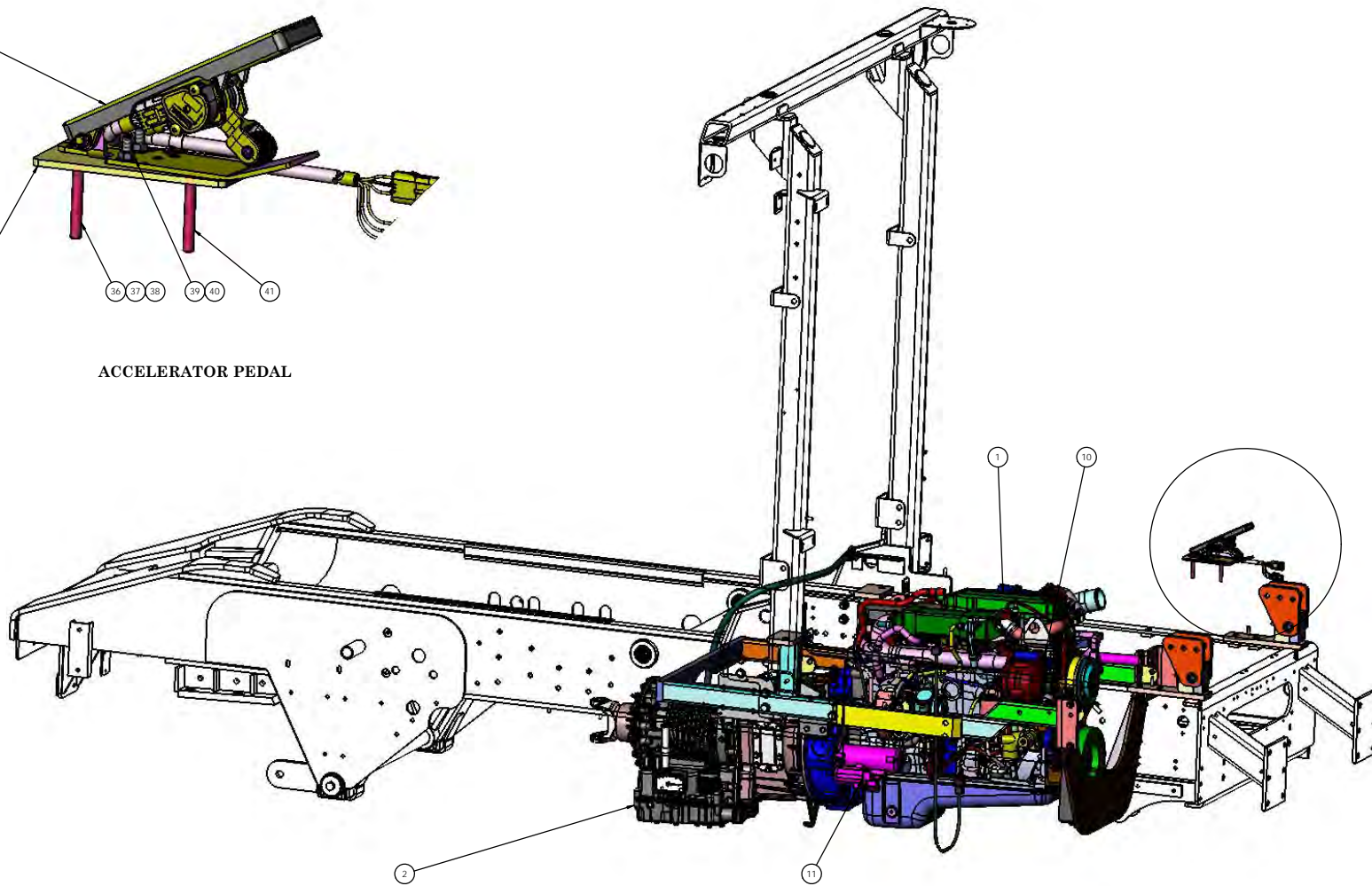


ACCELERATOR PEDAL



ENGINE & TRANSMISSION
 PAGE 1 GENERAL OVERVIEW
 PAGE 2 DETAIL VIEWS
 PAGE 3-5 PARTS LIST

DIMENSIONS ARE IN INCHES		NAME	DATE	WCO MANUFACTURING 843 CYPRUS ROAD DR. ROCKLAND, NC 27854 (843) 717-2226
TOLERANCES:		DRAWN	MAL	
DECIMALS		BY	8/28	
FRACTIONS		CHECKED	K.A. & D.S.	
ANGULAR		APPROVED	K.A. & D.S.	
FRACTIONS		DOTTED SCALE DRAWING THE SUBJECT MATTER SHOWN AND DESCRIBED IN THE DRAWING AND ANY DIMENSIONS OR DIMENSIONS NOT SHOWN ARE HEREBY AUTHORIZED BY WCO MANUFACTURING TO BE USED IN THE CONSTRUCTION OF THE PARTS TO BE MANUFACTURED BY WCO MANUFACTURING. THESE PARTS ARE NOT TO BE USED FOR ANY OTHER PURPOSES WITHOUT THE WRITTEN PERMISSION OF WCO MANUFACTURING.		
SCALE:	N/A	SIZE	DWG. NO.	REV
SEE NOTE		D	722346-Q1	
REVISION:	N/A	SCALE: 1:32 [WEIGHT: 5521.03] SHEET 1 OF 2		

TICO PRO-SPOTTER				
ENGINE & TRANSMISSION 2017-III CAB, B6.7 200 HP, LMT, 2°, DELCO STR & ALT 160A				722346
ITEM	PART #	QTY/M	DESCRIPTION	
1	620862	1	ENGINE-CUMMINS 2017 B6.7 200HP @ 2400, BLK HTR, W/AC, WO START & ALT (PIVOT	
2	60799-13	1	TRANSMISSION-RDS3000, TC-411, ISB-2010	
NS	620974	1	TCM-RDS3000, 1ST-5TH, 2018 B6.7, 250K, 12 VOLT	
NS	62192	1	SHIFTER-PUSH BUTTON GEN-V	
3	61572-5	1	MOUNT BRACKET-FRONT ENGINE FRAME	
4	61572-9	1	BRACKET FRONT ENGINE MOUNT	
5	62115-R	1	ENGINE CRADLE, RAW	
6	82418	8	BOLT, HEX HD 1/2-13 x 2	
7	85027	8	LOCKNUT, NYLOCK, 1/2"-13, ZINC PLT	
8	85093	16	WASHER, FLAT, 1/2", SAE, GRD 8, ZINC PLT	
9	60809-2	1	MOUNTING PLATE FRONT ENGINE MOUNT	
10	620654	1	ALTERNATOR, 160 AMP, PIVOT MNT, 24SI, DELCO	
11	91243	1	STARTER-ENGINE MT-35 2013-ISB	
12	80341	1	BOLT, SOC HD , M16 x 2.0, 45MM LG, BLK OXIDE	
13	850204	1	WASHER, WEDGE LOCK, 5/8"/M16, ZINC FLAKE	
14	85138	1	LOCKWASHER, HELICAL SPRING 5/8"	
15	60814	4	ISOLATOR,ENGINE FRONT DUAL	
16	60113	2	WASHER 3X5/8	
17	10971	2	SPACER FRONT MOTOR MOUNT QSB-III/ISB-07	
18	82474	2	BOLT 5/8-11X3-1/4" HHCS	
19	85094	2	WASHER, FLAT, 5/8", SAE, GRD 8, ZINC PLT	
20	850192	2	NUT, NYLOCK, 5/8-11NC-2B THD, THIN	
NS	60799-6	6	BOLT, M10 X 1.5, 30MM LONG, FLEXPLATE, 300RDS TRANS	
21	60799-12	1	FLYWEEL HOUSING BOLT KIT	
22	60981	1	MOUNT MOTOR BRACKET QSB-III L-H 2 DEG	
23	60982	1	MOTOR MOUNT BRACKET QSB3, RH 2DEG	
24	80240	12	M-12 x 15 x 35MM HEX HEAD 10.9	
25	61678	2	ISOLATOR REAR ENGINE	
26	61677-8	2	SPACER FOR REAR ENGINE ISOLATOR	
27	60740	2	SPACER,REAR MOTOR MOUNT 1/4" THK,13/16IDX3.75OD	
28	85095	2	WASHER, FLAT, 3/4", SAE, GRD 8, ZINC PLT	
29	60740-1	2	SPACER,REAR MOTOR MOUNT 1/8" THK,13/16IDX3.75 OD	
REV	DATE	BY		SHEET
Q	10/14/2019	MAL		1 OF 2

TICO PRO-SPOTTER				
ENGINE & TRANSMISSION 2017-III CAB, B6.7 200 HP, LMT, 2°, DELCO STR & ALT 160A				722346
ITEM	PART #	QTY/M	DESCRIPTION	
31	82530	2	BOLT, HEX HD 3/4-10 X 4 1/2" LG, GRD 8	
32	85029	1	LOCKNUT, NYLOCK, 3/4-10	
33	90910	1	BRACKET, SUPPORT POS./NEG BATTERY CABLES	
NS	61574	1	DIPSTICK,TRANSMISSION,SIDE CHECK ,3000/3500RDS	
NS	12091	1	SPACER-DIPSTICK	
NS	82437	1	5/16"-18 x 2-1/2" Yellow Zinc Finish SAE J429 Grade 8 Hex Cap Screw	
NS	85024	1	LOCKNUT, NYLOCK, COARSE, 5/16-18, GRD 8	
NS	62126	1	CLIP-DIPSTICK RETAINER	
NS	800458	1	M8-2.12 x 20MM HEX WASHER HEAD TAPPING SCREW	
NS	62037	1	SENSOR-AMBIENT AIR TEMP	
NS	60061	1	PRESSURE STAT 10 POUND	
NS	40467	1	FITTING, BRASS TEE	
NS	12091	1	SPACER-DIPSTICK	
NS	620913-2	1	HARNESS-2017 ENGINE, ISB, FRONT MOUNT PDC, 250k, NYLON BRAID	
NS	620630	1	HARNESS-2017 GEN IV ALLISON TRANSMISSION, CAB MOUNTED	
NS	910792	1	CABLE - 2GA BLACK, 5/16" R TO 1/2" R X 38" LG	
NS	91221	1	CABLE 2 GA RED ALT TO STARTER 38"	
NS	910621	1	CABLE - 2 GAUGE, RED, 1/4" x 3/8" LUGS x 42" LG	
NS	91232	1	WIRE ASSY, 6GA, BLACK, 5/16-3/8 LUGS, ECM GRD/BATT 121" OAL	
34	61640	1	PEDAL ACCELERATOR ISB 2013	
35	121418	1	ASSEMBLY, MOUNTING PLATE ELECTRIC THROTTLE (2017 CAB)	
NS	42050	1	FITTING-TEE,BRANCH, 3/4 NPT, BRASS	
NS	42055	1	FITTING-ELBOW, 1 HOSE BARB X 3/4 NPTM, 45 DEG, STEEL	
NS	42178	1	HOSE BARB-BRASS-90 DEGREE 5/8 HOSE TO 1/2 PIPE	
NS	30308	1	BRACKET,CAC TUBE SUPPORT	
NS	40005	1	CLAMP, 3" EXHAUST	
NS	80368	1	BOLT, HEX HEAD, M12-1.75 X 160MM LG, 8.8 GRD	
NS	80334	1	WASHER, FLAT, M12, STEEL, ZINC PLATED	
NS	800478	1	NUT, THIN HEX, M14 X 1.5, MED STRENGTH, ZINC	
NS	800503	1	NUT, HEX, M8-1.25, MED STRENGTH, ZINC	
NS	800448	1	NUT, SERRATED FLANGE, M6 x 1.0	
NS	85024	1	LOCKNUT, NYLOCK, COARSE, 5/16-18, GRD 8	
NS	85090	2	WASHER, FLAT, 5/16", SAE, GRD 8, ZINC PLT	
NS	910393	1	CAP-ENGINE BLOCK HEATER	
REV	DATE	BY		SHEET
Q	10/14/2019	MAL		2 OF