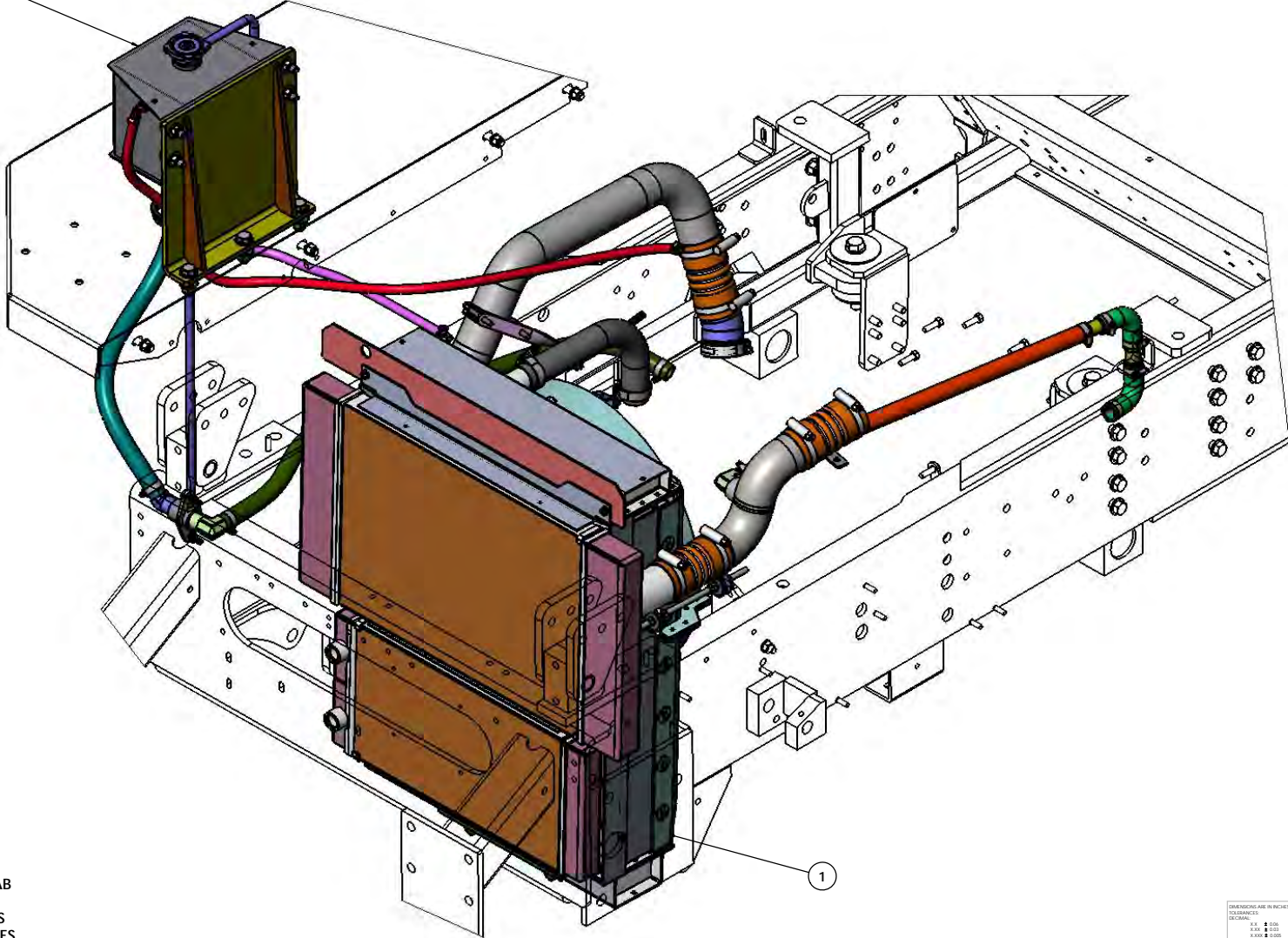


31



COOLING SYSTEM, 2017-III CAB
 PAGE 1 GENERAL OVERVIEW
 PAGE 2 RADIATOR AND TUBES
 PAGE 3 SURGE TANK AND HOSES
 PAGE 4-6 PART LISTS

1

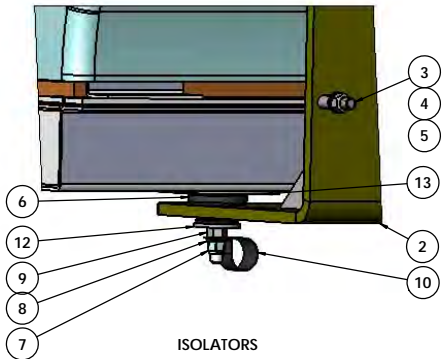
| | | | | |
|--------------------------|------|-----------|------|--|
| DIMENSIONS ARE IN INCHES | | NAME | DATE | TICO MANUFACTURING 88 CYPRESS RIDGE DR. ROCKLAND, NC 29088 (843) 717-2226 |
| DRAWN | MAL | 9/13/2019 | | |
| TOLERANCES | | | | TITLE: COOLING SYSTEM |
| FINISHES | | | | |
| DATE: | N/A | | | SIZE DWG. NO. 722341-P1 |
| REV | | | | |
| SCALE: | 1:32 | | | REV |
| REVISIONS: | | | | |
| SEE NOTE | | | | |
| REVISION: | | | | |

722341-P1

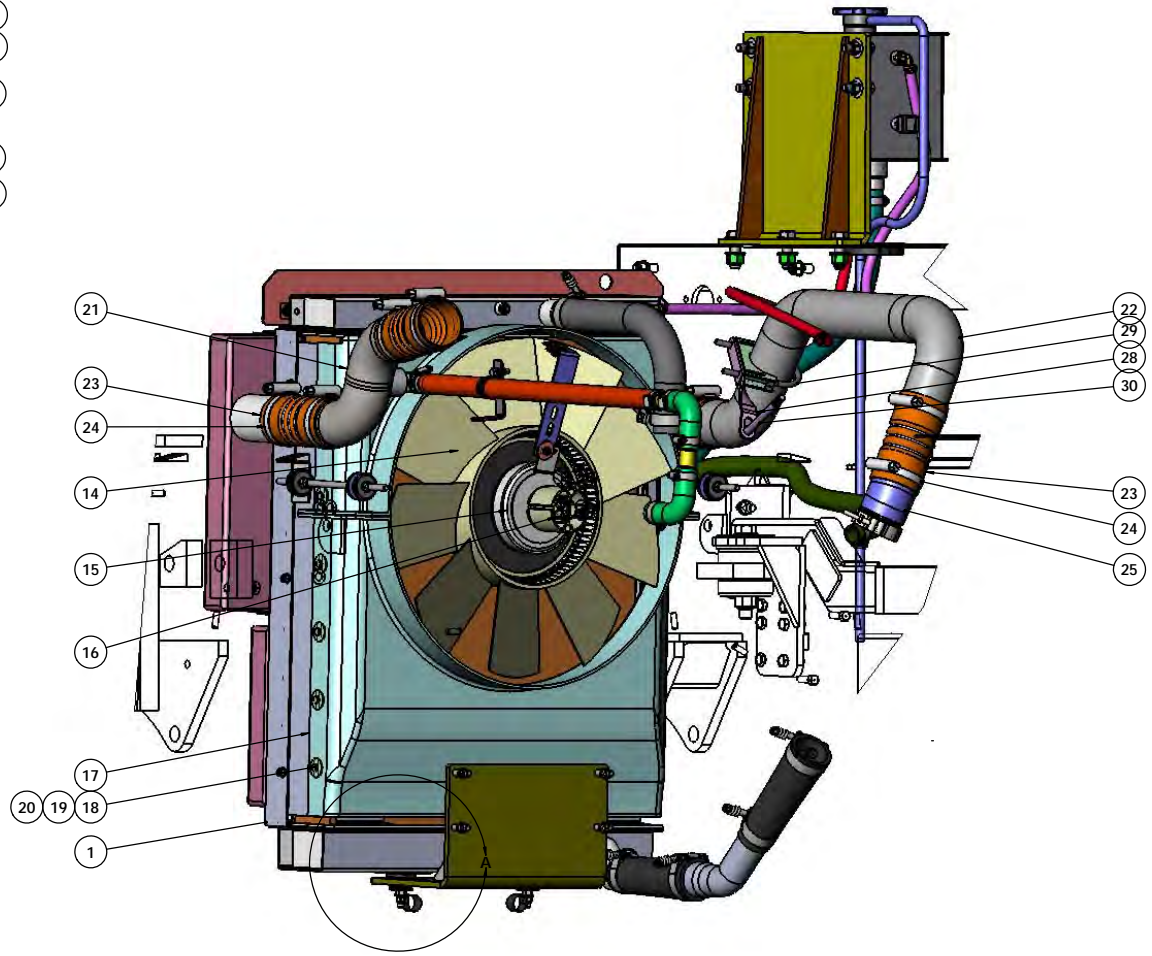
A

REV

SHEET 1 OF 3



ISOLATORS

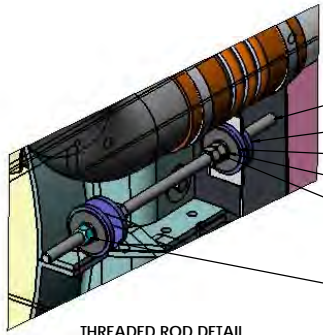


RADIATOR AND TUBES

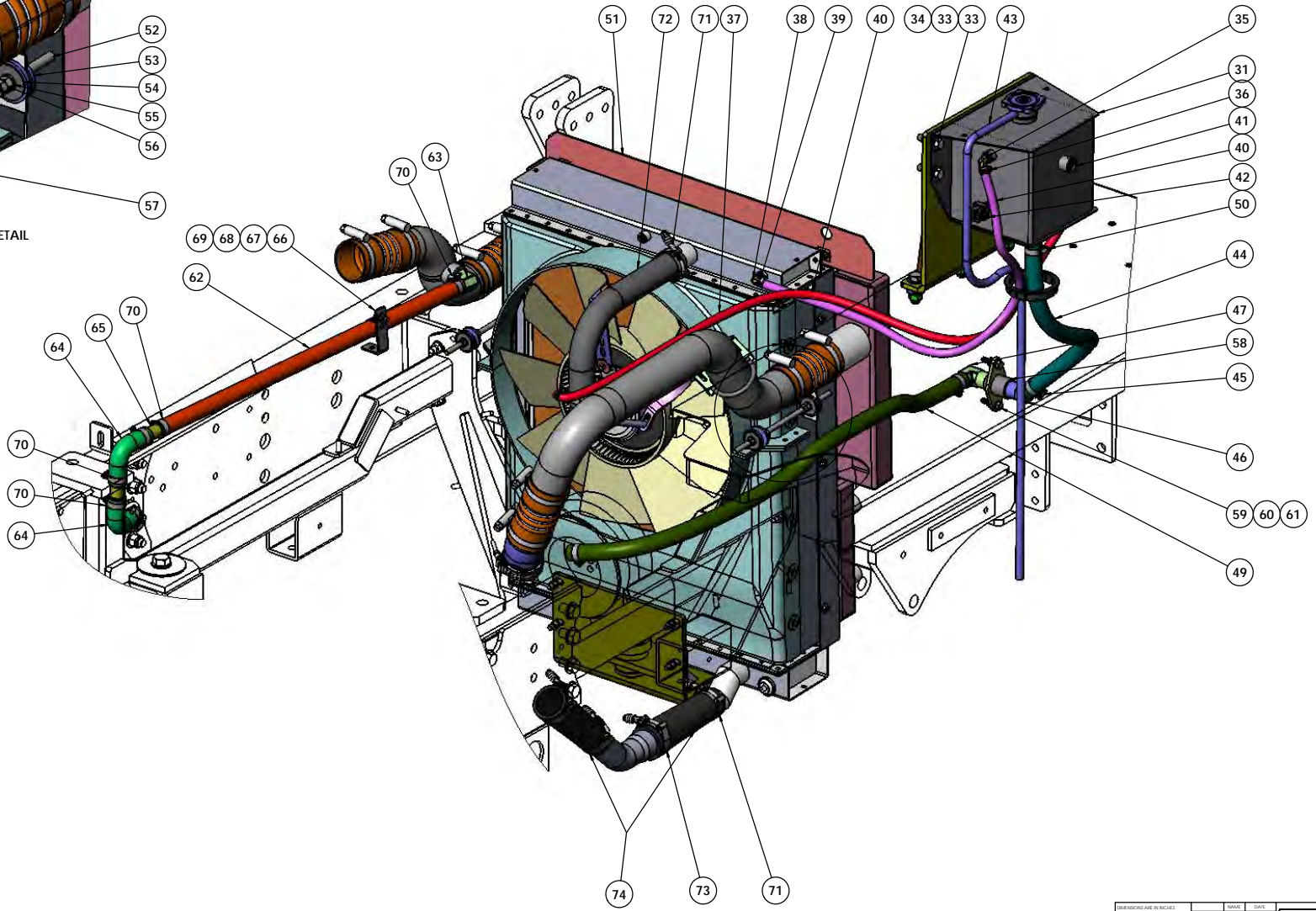
| | | | | | |
|-------------------------|-----------|----|------|------|----|
| REVISIONS ARE IN INCHES | DATE | BY | CHKD | DATE | BY |
| ISSUANCES | | | | | |
| REVISION | | | | | |
| 1 | 1/13/2018 | | | | |
| 2 | | | | | |
| 3 | | | | | |
| 4 | | | | | |
| 5 | | | | | |
| 6 | | | | | |
| 7 | | | | | |
| 8 | | | | | |
| 9 | | | | | |
| 10 | | | | | |
| 11 | | | | | |
| 12 | | | | | |
| 13 | | | | | |
| 14 | | | | | |
| 15 | | | | | |
| 16 | | | | | |
| 17 | | | | | |
| 18 | | | | | |
| 19 | | | | | |
| 20 | | | | | |
| 21 | | | | | |
| 22 | | | | | |
| 23 | | | | | |
| 24 | | | | | |
| 25 | | | | | |
| 26 | | | | | |
| 27 | | | | | |
| 28 | | | | | |
| 29 | | | | | |
| 30 | | | | | |

TITLE: COOLING SYSTEM
 SIZE: D DWG. NO: 722344-P REV: 1
 SCALE: 1:32 WEIGHT: 4623.6 SHEET 2 OF 3

722344-P



THREADED ROD DETAIL



SURGE TANK AND HOSES

| | | |
|---|-----------------|--------------|
| REVISIONS ARE IN PINKS | DATE | 1/13/2018 |
| ISSUED | ISSUED | |
| CHECKED | CHECKED | |
| BY: B. BIR | BY: B. BIR | |
| DATE: 8/2/17 | DATE: 8/2/17 | |
| APPROVED | APPROVED | |
| FUNCTIONAL | FUNCTIONAL | |
| CHECKED SCALE DRAWING | | |
| THE SUBJECT MATTER SHOWN AND DESCRIBED IN THE DRAWING AND ANY OTHER INFORMATION CONTAINED HEREIN IS THE PROPERTY OF WEGO AND IS TO BE USED ONLY FOR THE PROJECT AND FOR THE PURPOSES SPECIFIED IN THE CONTRACT. ALL RIGHTS TO ANY PATENTS, TRADEMARKS, OR OTHER INFORMATION CONTAINED HEREIN ARE RESERVED TO WEGO. WEGO SHALL BE RESPONSIBLE FOR THE DESIGN AND CONSTRUCTION OF THE PROJECT AND SHALL BE RESPONSIBLE FOR THE INSTALLATION AND MAINTENANCE OF THE PROJECT. | | |
| SEE NOTE | SEE NOTE | |
| SCALE: 1:32 | WEIGHT: 4623.61 | SHEET 3 OF 3 |

| | |
|--|--------------------|
| TICO/TERMINAL SERVICE 840 CYPRUS ROAD DR. ROCKLAND, NC 27854 (843) 717-2226 | |
| TITLE: COOLING SYSTEM | |
| SIZE: D | DWG. NO: 722344-P1 |
| REV: 1 | REV: 1 |

722344-P1

| TICO PRO-SPOTTER | | | | |
|---|-------------|-----------|--|--------------|
| COOLING SYSTEM - 2017-III, QSB-IV, 2°, AI RAD. W/WTR TRNS CLR, CAC, LMT | | | | 722344 |
| ITEM | PART # | QTY/M | DESCRIPTION | |
| 1 | 620910 | 1 | RADIATOR/CAC ASSEMBLY- 2017-QSB-IV & B6.7, ALUMIN CORE, WATER/OIL TRANS CO | |
| 2 | 12736 | 1 | WELDMNT RADIATOR MOUNT RUBBER ISOLATORS | |
| 3 | 82405 | 4 | BOLT, HEX HD 3/8-16 x 1 3/4 | |
| 4 | 85036 | 4 | LOCK NUT, CROWNLOCK COARSE 3/8-16 | |
| 5 | 85091 | 8 | WASHER, FLAT, 3/8", SAE, GRD 8, ZINC PLT | |
| 6 | 62254 | 2 | ISOLATOR RADIATOR MOUNT | |
| 7 | 85025 | 2 | LOCKNUT, NYLOCK, COARSE, 3/8-16, GRD 8 | |
| 8 | 85091 | 2 | WASHER, FLAT, 3/8", SAE, GRD 8, ZINC PLT | |
| 9 | 85014 | 2 | NUT 3/8-16 JAM | |
| 10 | 40593 | 2 | CLAMP P, 1.0" | |
| 11 | 80346 | 4 | WASHER, FENDER 3/8" ID x 1-3/4" OD | |
| 12 | 62110 | 2 | WASHER-FRT ENGINE MOUNT TOP | |
| 13 | 62332 | 2 | WASHER-RADIATOR MOUNT TOP | |
| 14 | 61842 | 1 | FAN, COOLING, 22" DIA, CLUTCH, ISB-10 | |
| NS | 60423 | 1 | KIT, FAN CLUTCH | |
| 16 | 62173 | 1 | SPACER, FAN, 3/4" [19 MM] | |
| 17 | 621012 | 1 | SHROUD, FAN, CUMMINS ENG, ALUMINUM RADIATOR | |
| 18 | 82370 | 8 | BOLT, HEX HD 1/4-20 x 1 | |
| 19 | 80129 | 10 | WASHER, FENDER, 1/4" ID X 1-1/4" OD | |
| 20 | 85034 | 12 | LOCKNUT, CROWNLOCK, COARSE, 1/4-20 | |
| 21 | 62055 | 1 | CAC ASSEMBLY-LH ISB13 | |
| 22 | 61968 | 1 | TUBE-CAC-RH FRONT-TIER IV | |
| 23 | 40175 | 4 | HOSE-HUMP, 3" ID, SILICONE, CAC | |
| 24 | 40185 | 8 | CLAMP, CONSTANT TORQUE, SAE 362, 2-3/4" TO 3-5/8", SSTL | |
| 25 | 62048 | 1 | TURBO ELBOW FOR CAC ISB 2013 | |
| 26 | 42261 | 1 | CLAMP V-BAND | |
| 27 | 42262 | 1 | SEAL ORING | |
| 28 | 30337 | 1 | BRACKET CAC TUBE MOUNT | |
| 29 | 40005 | 1 | CLAMP, 3" EXHAUST | |
| 30 | 80368 | 1 | BOLT, HEX HEAD, M12-1.75 X 160MM LG, 8.8 GRD | |
| 31 | 620909 | 1 | SURGE TANK, ALUMINIUM, 3 GALLON | |
| 32 | 82407 | 4 | BOLT, HEX HD 1/2-13 x 1 3/4 | |
| 33 | 85115 | 4 | WASHER, FLAT, 1/2", SAE, GRD 5, ZINC PLT | |
| 34 | 85027 | 4 | LOCKNUT, NYLOCK, 1/2"-13, ZINC PLT | |
| REV | DATE | BY | | SHEET |
| P | 9/13/2019 | MAL | | 1 of 3 |

| TICO PRO-SPOTTER | | | | |
|---|-------------|-----------|--|--------------|
| COOLING SYSTEM - 2017-III, QSB-IV, 2°, AI RAD. W/WTR TRNS CLR, CAC, LMT | | | | 722344 |
| ITEM | PART # | QTY/M | DESCRIPTION | |
| 35 | 42239 | 2 | HOSE BARB-90 DEG-3/8" HOSE TO 3/8" MALE PIPE BRASS | |
| 36 | 42149 | 2 | CLAMP, WORMGEAR, #06, 3/8 - 7/8, SSTL | |
| 37 | 42192 | 65 | HOSE, BULK - 3/8" ID BLUE-PARKER 7212 | |
| 38 | 42239 | 2 | HOSE BARB-90 DEG-3/8" HOSE TO 3/8" MALE PIPE BRASS | |
| 39 | 42149 | 2 | CLAMP, WORMGEAR, #06, 3/8 - 7/8, SSTL | |
| 40 | 42192 | 55 | HOSE, BULK - 3/8" ID BLUE-PARKER 7212 | |
| 41 | 40092 | 1 | PLUG, PIPE, 3/8 NPT, BRASS | |
| 42 | 60824 | 1 | SENSOR COOLANT LEVEL 3 PIN | |
| 43 | 40811 | 61 | HOSE BULK-5/16" ID BLACK-FUEL SAE 30R9 | |
| 44 | 41265 | 32 | HOSE BULK- 1" ID X 1-13/32" OD AIR/WATER-200 PSI BLCK RUBBER | |
| 45 | 40190-2 | 2 | CLAMP, CONSTANT TORQUE, SAE 24, 1-1/16" TO 2", SSTL | |
| 46 | 40721 | 1 | FITTING STEEL 45 DEG #16 TUBE X #16 NPT | |
| 47 | 40722 | 1 | FITTING STEEL 90 DEG #16 TUBE X #16 NPT | |
| 48 | 42110 | 1 | FITTING-STR ADAPTER, 1" NPTM X 1" HOSE BARB, STEEL | |
| 49 | 41265 | 26 | HOSE BULK- 1" ID X 1-13/32" OD AIR/WATER-200 PSI BLCK RUBBER | |
| 50 | 40190-2 | 2 | CLAMP, CONSTANT TORQUE, SAE 24, 1-1/16" TO 2", SSTL | |
| 51 | 620915 | 1 | BAFFLE, RADIATOR TOP (QSB-IV & B6.7) | |
| 52 | 61603 | 2 | ROD, THREADED, 3/8-16 X10" LG, ZINC PLT | |
| 53 | 60857 | 8 | WASHER RUBBER 3/8 IDX1.75ODX3/8T 60 DURO | |
| 54 | 80346 | 8 | WASHER, FENDER 3/8" ID x 1-3/4" OD | |
| 55 | 85102 | 8 | WASHER, FLAT, 3/8", USS, GRD 8, ZINC PLT | |
| 56 | 85003 | 4 | NUT, HEX HEAD, 3/8-16, GRADE 5, ZINC PL | |
| 57 | 85036 | 4 | LOCK NUT, CROWNLOCK COARSE 3/8-16 | |
| 58 | 12898 | 1 | WELDMENT FRAME COUPLING BRACKET SURGE TANK | |
| 59 | 82394 | 2 | BOLT, HEX 3/8-16 X 1 1/2 Lg | |
| 60 | 85091 | 4 | WASHER, FLAT, 3/8", SAE, GRD 8, ZINC PLT | |
| 61 | 85025 | 2 | LOCKNUT, NYLOCK, COARSE, 3/8-16, GRD 8 | |
| 62 | 41265 | 33.5 | HOSE BULK- 1" ID X 1-13/32" OD AIR/WATER-200 PSI BLCK RUBBER | |
| 63 | 40722 | 1 | FITTING STEEL 90 DEG #16 TUBE X #16 NPT | |
| 64 | 42188 | 2 | HOSE-90 DEGREE FORMED HEATER- 1" ID | |
| 65 | 42205 | 2 | ADAPTER STR. NYLON 1" TUBE TO 1" TUBE | |
| 66 | 61883 | 1 | BRACKET- STANDOFF | |
| 67 | 82371 | 1 | BOLT, HEX HD 5/16-18x 1 | |
| 68 | 85024 | 1 | LOCKNUT, NYLOCK, COARSE, 5/16-18, GRD 8 | |
| 69 | 85090 | 1 | WASHER, FLAT, 5/16", SAE, GRD 8, ZINC PLT | |
| 70 | 42154 | 6 | CLAMP, WORMGEAR HOSE #20 ,3/4"-1 3/4", SSTL | |
| REV | DATE | BY | | SHEET |
| P | 9/13/2019 | MAL | | 2 OF |

