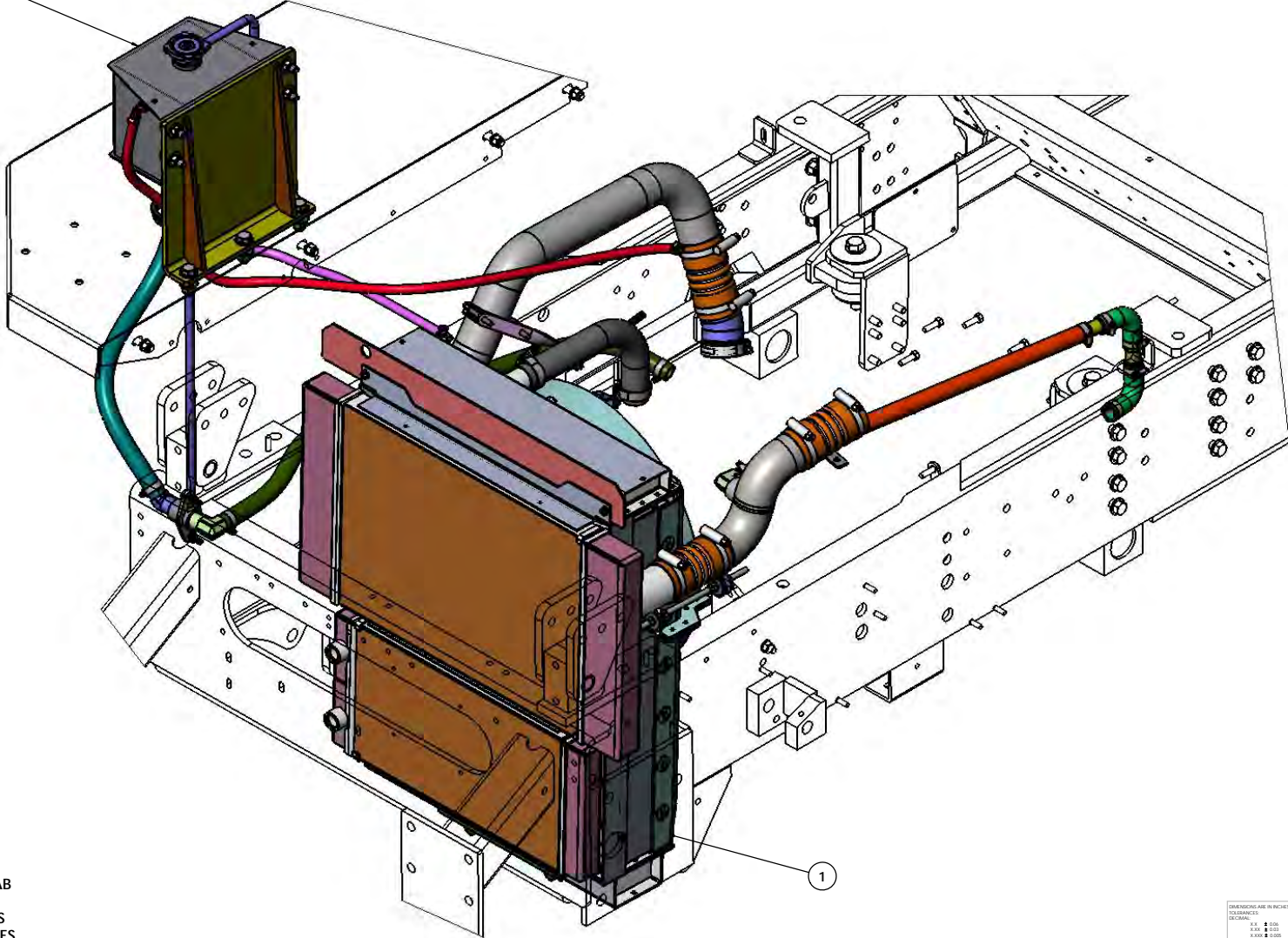


31



1

COOLING SYSTEM, 2017-III CAB  
 PAGE 1 GENERAL OVERVIEW  
 PAGE 2 RADIATOR AND TUBES  
 PAGE 3 SURGE TANK AND HOSES  
 PAGE 4-6 PART LISTS

DIMENSIONS ARE IN INCHES		NAME	DATE	 WCO MANUFACTURING 88 CYPRESS RIDGE DR. ROCKLAND, NC 29088 (843) 717-2226	
DRAWN	MAL	9/13/2019			
TOLERANCES				TITLE	COOLING SYSTEM
DECIMALS	± .006			SIZE	DWG. NO. 722314-11
FRACTIONS	± .003			REV	
ANGULAR	± 0.1°			SCALE	1:32 [WEIGHT: 4623.61] SHEET 1 OF 3
FUNCTIONAL	± .12°				
DATE:	N/A				
DESIGN:	N/A				
TEST:	N/A				
REWORK:	N/A				
REVISIONS:	N/A				
SEE NOTE					
REVISION:	N/A				

722314-11





TICO PRO-SPOTTER				
COOLING SYSTEM, 2017-III, QSB-IV,2°, AL RAD. W/WATER TRANS,CAC				722314
ITEM	PART #	QTY/M	DESCRIPTION	
1	620910	1	RADIATOR/CAC ASSEMBLY- 2017-QSB-IV & B6.7, ALUMIN CORE, WATER/OIL TRANS CO	
2	12736	1	WELDMENT RADIATOR MOUNT RUBBER ISOLATORS	
3	82405	4	BOLT, HEX HD 3/8-16 x 1 3/4	
4	85036	4	LOCK NUT, CROWNLOCK COARSE 3/8-16	
5	85091	8	WASHER, FLAT, 3/8", SAE, GRD 8, ZINC PLT	
6	62254	2	ISOLATOR RADIATOR MOUNT	
7	85025	2	LOCKNUT, NYLOCK, COARSE, 3/8-16, GRD 8	
8	85091	2	WASHER, FLAT, 3/8", SAE, GRD 8, ZINC PLT	
9	85014	2	NUT 3/8-16 JAM	
10	40593	2	CLAMP P, 1.0"	
11	80346	4	WASHER, FENDER 3/8" ID x 1-3/4" OD	
12	62110	2	WASHER- 1 1/2" OD X 1/2" ID	
13	62332	2	WASHER-RADIATOR MOUNT TOP	
14	61647	1	FAN, COOLING, 22" DIA, ISB	
15	60423	1	KIT, FAN CLUTCH	
16	62173-2	1	SPACER, FAN, 3" [76.2MM]	
17	621012	1	SHROUD, FAN, CUMMINS ENG, ALUMINUM RADIATOR	
18	82370	8	BOLT, HEX HD 1/4-20 x 1	
19	80129	10	WASHER, FENDER, 1/4" ID X 1-1/4" OD	
20	85034	12	LOCKNUT, CROWNLOCK, COARSE, 1/4-20	
21	62055	1	CAC ASSEMBLY-LH ISB13	
22	61968	1	TUBE-CAC-RH FRONT-TIER IV	
23	40175	4	HOSE-HUMP, 3" ID, SILICONE, CAC	
24	40185	8	CLAMP, CONSTANT TORQUE, SAE 362, 2-3/4" TO 3-5/8", SSTL	
25	62048	1	TURBO ELBOW FOR CAC ISB 2013	
26	42261	1	CLAMP V-BAND	
27	42262	1	SEAL ORING	
28	30337	1	BRACKET CAC TUBE MOUNT	
29	40005	1	CLAMP, 3" EXHAUST	
30	80368	1	BOLT, HEX HEAD, M12-1.75 X 160MM LG, 8.8 GRD	
31	620909	1	SURGE TANK, ALUMINIUM, 3 GALLON	
32	82407	4	BOLT, HEX HD 1/2-13 x 1 3/4	
33	85115	4	WASHER, FLAT, 1/2", SAE, GRD 5, ZINC PLT	
34	85027	4	LOCKNUT, NYLOCK, 1/2"-13, ZINC PLT	
REV	DATE	BY		SHEET
J	10/15/19	REB		1 OF 3

TICO PRO-SPOTTER				
COOLING SYSTEM, 2017-III, QSB-IV,2°, AL RAD. W/WATER TRANS,CAC				722314
ITEM	PART #	QTY/M	DESCRIPTION	
35	42239	2	HOSE BARB-90 DEG-3/8" HOSE TO 3/8" MALE PIPE BRASS	
36	42149	2	CLAMP, WORMGEAR, #06, 3/8 - 7/8, SSTL	
37	41158	65IN	HOSE SILICONE COOLANT 3/8" SAE 20R1-BULK	
38	42239	2	HOSE BARB-90 DEG-3/8" HOSE TO 3/8" MALE PIPE BRASS	
39	42149	2	CLAMP, WORMGEAR, #06, 3/8 - 7/8, SSTL	
40	41158	55IN	HOSE SILICONE COOLANT 3/8" SAE 20R1-BULK	
41	42149	2	CLAMP, WORMGEAR, #06, 3/8 - 7/8, SSTL	
42	60824	1	SENSOR COOLANT LEVEL 3 PIN	
43	40811	61IN	HOSE BULK-5/16" ID BLACK-FUEL SAE 30R9	
44	41265	32IN	HOSE BULK- 1" ID X 1-13/32" OD AIR/WATER-200 PSI BLCK RUBBER	
45	40190-2	2	CLAMP, CONSTANT TORQUE, SAE 24, 1-1/16" TO 2", SSTL	
46	40721	1	FITTING STEEL 45 DEG #16 TUBE X #16 NPT	
47	40722	1	FITTING STEEL 90 DEG #16 TUBE X #16 NPT	
48	42110	1	FITTING-STR ADAPTER, 1" NPTM X 1" HOSE BARB, STEEL	
49	41265	26IN	HOSE BULK- 1" ID X 1-13/32" OD AIR/WATER-200 PSI BLCK RUBBER	
50	40190-2	2	CLAMP, CONSTANT TORQUE, SAE 24, 1-1/16" TO 2", SSTL	
51	620915	1	BAFFLE, ALUMINUM RADIATOR, ( CUMMINS ENGINES)	
52	61603	2	ROD, THREADED, 3/8-16 X10" LG, ZINC PLT	
53	60857	8	WASHER RUBBER 3/8 IDX1.75ODX3/8T 60 DURO	
54	80346	8	WASHER, FENDER 3/8" ID x 1-3/4" OD	
55	85102	8	WASHER, FLAT, 3/8", USS, GRD 8, ZINC PLT	
56	85003	4	NUT, HEX HEAD, 3/8-16, GRADE 5, ZINC PL	
57	85036	4	LOCK NUT, CROWNLOCK COARSE 3/8-16	
58	12898	1	WELDMENT FRAME COUPLING BRACKET SURGE TANK	
59	82394	2	BOLT, HEX 3/8-16 X 1 1/2 Lg	
60	85091	4	WASHER, FLAT, 3/8", SAE, GRD 8, ZINC PLT	
61	85025	2	LOCKNUT, NYLOCK, COARSE, 3/8-16, GRD 8	
62	41265	33.5IN	HOSE BULK- 1" ID X 1-13/32" OD AIR/WATER-200 PSI BLCK RUBBER	
63	40722	1	FITTING STEEL 90 DEG #16 TUBE X #16 NPT	
64	42188	2	HOSE-90 DEGREE FORMED HEATER- 1" ID	
65	42205	2	ADAPTER STR. NYLON 1" TUBE TO 1" TUBE	
66	61883	1	BRACKET- STANDOFF	
67	82371	1	BOLT, HEX HD 5/16-18x 1	
68	85024	1	LOCKNUT, NYLOCK, COARSE, 5/16-18, GRD 8	
69	85090	1	WASHER, FLAT, 5/16", SAE, GRD 8, ZINC PLT	
70	42154	6	CLAMP, WORMGEAR HOSE #20 ,3/4"-1 3/4", SSTL	
REV	DATE	BY		SHEET
J	10/15/19	REB		2 OF 3

