

HYDRAULIC SYSTEM 70K 128* WB GALV

PAGE 1 OVERVIEW
 PAGE 2-3 DETAIL PAGES
 PAGE 4-6 PARTSLIST

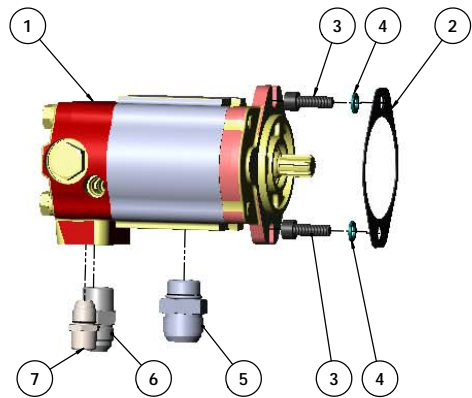
DIMENSIONS ARE IN INCHES		NAME	DATE
TOLERANCES		DRAMAN	9/20/2018
DECIMAL			
.000			
.005			
.010			
.015			
.020			
.030			
.040			
.050			
.060			
.070			
.080			
.090			
.100			
.125			
.150			
.175			
.200			
.250			
.300			
.375			
.500			
.625			
.750			
1.000			
1.250			
1.500			
1.750			
2.000			
2.500			
3.000			
3.500			
4.000			
4.500			
5.000			
5.500			
6.000			
6.500			
7.000			
7.500			
8.000			
8.500			
9.000			
9.500			
10.000			
10.500			
11.000			
11.500			
12.000			
12.500			
13.000			
13.500			
14.000			
14.500			
15.000			
15.500			
16.000			
16.500			
17.000			
17.500			
18.000			
18.500			
19.000			
19.500			
20.000			
20.500			
21.000			
21.500			
22.000			
22.500			
23.000			
23.500			
24.000			
24.500			
25.000			
25.500			
26.000			
26.500			
27.000			
27.500			
28.000			
28.500			
29.000			
29.500			
30.000			
30.500			
31.000			
31.500			
32.000			
32.500			
33.000			
33.500			
34.000			
34.500			
35.000			
35.500			
36.000			
36.500			
37.000			
37.500			
38.000			
38.500			
39.000			
39.500			
40.000			
40.500			
41.000			
41.500			
42.000			
42.500			
43.000			
43.500			
44.000			
44.500			
45.000			
45.500			
46.000			
46.500			
47.000			
47.500			
48.000			
48.500			
49.000			
49.500			
50.000			
50.500			
51.000			
51.500			
52.000			
52.500			
53.000			
53.500			
54.000			
54.500			
55.000			
55.500			
56.000			
56.500			
57.000			
57.500			
58.000			
58.500			
59.000			
59.500			
60.000			
60.500			
61.000			
61.500			
62.000			
62.500			
63.000			
63.500			
64.000			
64.500			
65.000			
65.500			
66.000			
66.500			
67.000			
67.500			
68.000			
68.500			
69.000			
69.500			
70.000			
70.500			
71.000			
71.500			
72.000			
72.500			
73.000			
73.500			
74.000			
74.500			
75.000			
75.500			
76.000			
76.500			
77.000			
77.500			
78.000			
78.500			
79.000			
79.500			
80.000			
80.500			
81.000			
81.500			
82.000			
82.500			
83.000			
83.500			
84.000			
84.500			
85.000			
85.500			
86.000			
86.500			
87.000			
87.500			
88.000			
88.500			
89.000			
89.500			
90.000			
90.500			
91.000			
91.500			
92.000			
92.500			
93.000			
93.500			
94.000			
94.500			
95.000			
95.500			
96.000			
96.500			
97.000			
97.500			
98.000			
98.500			
99.000			
99.500			
100.000			

TICO MANUFACTURING
 840 CYPRESS RIDGE DR.
 RIDGELAND, MS 39208
 (843) 717-2226

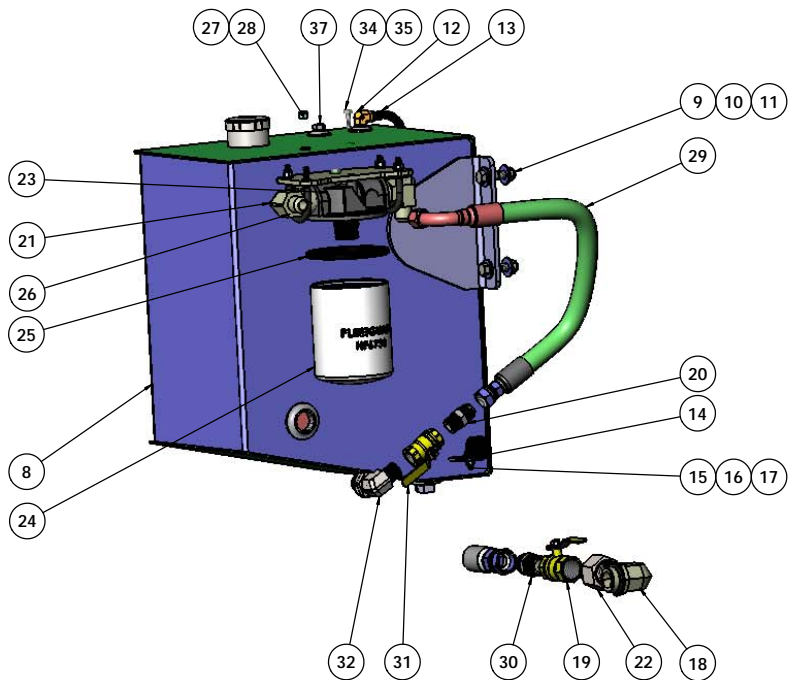
TITLE: HYDRAULIC SYSTEM, 70K, 128* WB

SIZE DWG. NO. 722200-E1 REV
 D SCALE: 1:50 WEIGHT: SHEET 1 OF 3

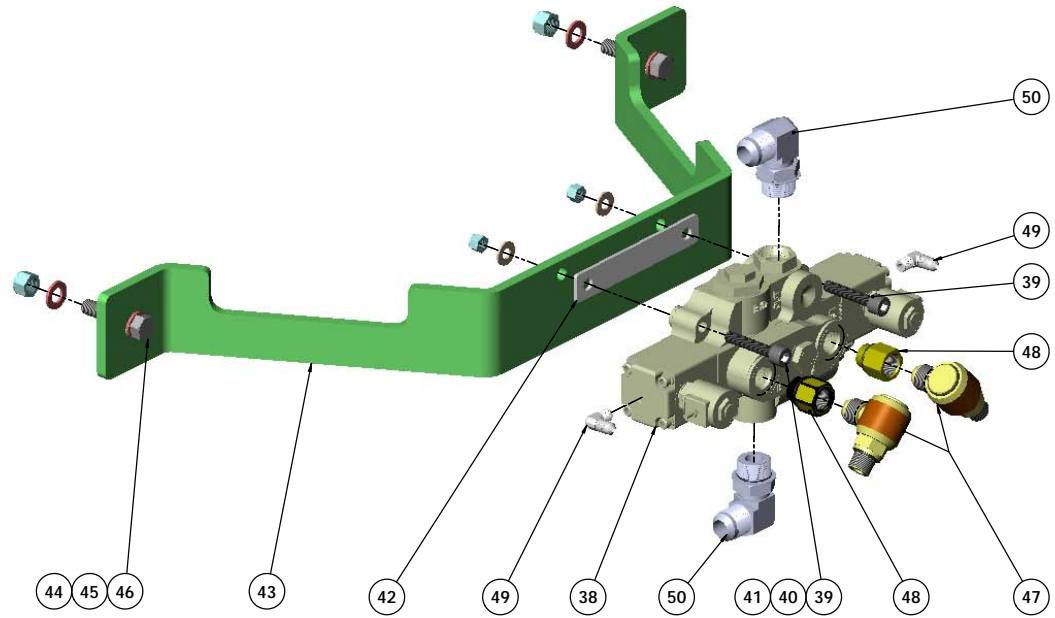
722200-E1



HYDRAULIC PUMP ASSEMBLY

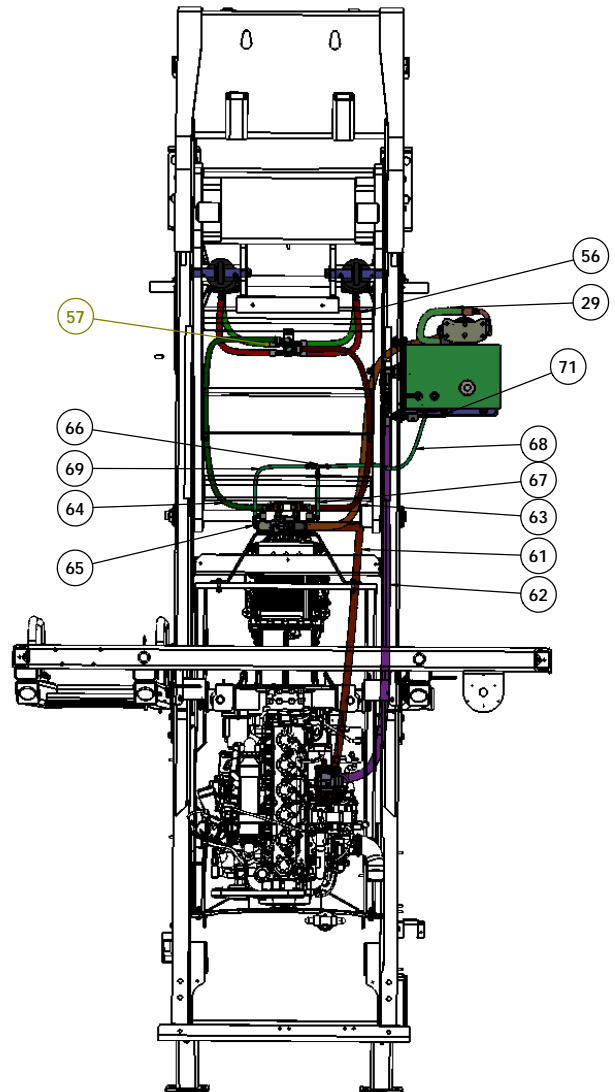
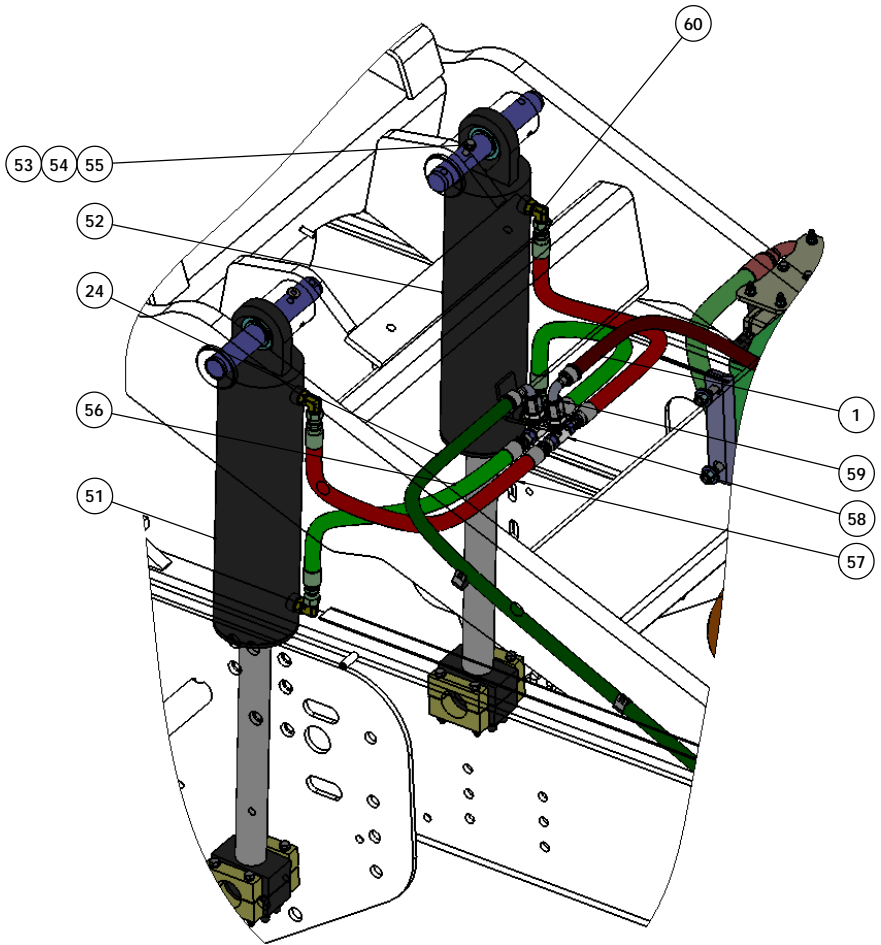


HYDRAULIC TANK DETAIL



DIRECTIONAL-CONTROL VALVE DETAIL

DIMENSIONS ARE IN INCHES		NAME	DATE	 WCO MANUFACTURING 44 CYPRESS RIDGE DR. ROCKLELAND, NC 27856 (843) 717-2226
TOLERANCES	DECIMALS	DRAWN	---	
BOTH	± .005	CHECKED	---	
KEYWAYS	± .010	APPROVED	---	
ANGLES	± .1°	DOTTED SCALE DRAWING THE SUBJECT MATTER SHOWN AND DESCRIBED IN THE DRAWING AND ANY OTHER INFORMATION CONTAINED HEREIN IS THE PROPERTY OF WCO. ALL RIGHTS TO ANY PATENTS, TRADEMARKS, OR COPYRIGHTS ARE RESERVED TO WCO.		
ISO	---	SIZE	DWG. NO.	REV
SCALE	---	D	722200-E1	---
SHEET	---	SCALE	1:40 [WEIGHT: 26.69]	SHEET 2 OF 3



DIMENSIONS ARE IN INCHES		NAME	DATE
TOLERANCES:		DRAMAN	6/20/2018
DECIMAL:		CHECKED	
FRACTIONAL:		APPROVED	
ANGULAR:		DOTTED SCALE DRAWING	
FRACTIONAL:		THE SUBJECT MATTER SHOWN AND DESCRIBED IN THE DRAWING AND ANY OTHER INFORMATION CONTAINED HEREIN IS THE PROPERTY OF TFCO AND IS TO BE USED FOR THE PURPOSES SPECIFIED ONLY. ALL RIGHTS TO ANY PATENTS, TRADEMARKS, AND COPYRIGHTS ARE RESERVED TO TFCO. SERVICE: (843) 717-2226	
INTEGRITY GEOMETRIC TOLERANCING FOR ASME Y14.5M-2018		TITLE: HYDRAULIC SYSTEM, 70K, 128' WB	
SIZE		DWG. NO.	REV
D		722200-E1	
SCALE: 1:40		WEIGHT:	SHEET 3 OF 3

722200-E1

TICO PRO-SPOTTER			
HYDRAULIC SYSTEM, 70K, 128" WB			722200
ITEM	PART #	QTY/M	DESCRIPTION
	722200-E1	REF	HYDRAULIC SYSTEM, 70K, 128" WB
1	620888	1	HYDRAULIC PUMP 20 GPM / 5.2 GPM STEER PRIORITY/CCW, 4.4mm ORIFICE
2	60212	1	GASKET
3	80175	2	BOLT - SOC HD M10 X 1.5 X 30MM LG
4	85091	2	WASHER 3/8
5	42018	1	FITTING, STR ADAPTRT STEEL, 1" "O"RING X 1" JIC - PUMP SUCTION
6	40471	1	FITTING, STR ADAPTER STEEL, 3/4" O-RING X 3/4" JIC
7	42006	1	FITTING, STR ADAPTER STEEL, 1/2" O-RING X 1/2" JIC
8	420341	1	TANK-HYDRAULIC, 18.5 GAL, VENTED W/SAE PORTS, NON VENTED CAP, RH FILTER
9	82418	4	BOLT, HEX 1/2-13 X 2 LG
10	85027	4	NUT, NYLOK 1/2-13
11	85104	8	FLATWASHER 1/2
NOT SHOWN	30174	1	SPACER - HYDRAULIC TANK
12	40823	1	FITTING, ELBOW 90° STEEL, 3/8 TUBE X 3/8 NPT (@ TANK TOP)
13	11004	3 FT	TUBING - NYLON AIR BRAKE BLACK - 3/8" DIA
14	40593	1	P, CLAMP
15	82371	1	BOLT, HEX 5/16-18 X 1" LG
16	85024	1	NUT, NYLOK 5/16-18
17	85112	2	WASHER 5/16
18	420376	1	FITTING-ELBOW,SAE O-RING (-20) 1-5/8"-12 THREAD X 1 1/4"-11.5 NPT (MALE), STEEL
19	40146	1	SHUT-OFF VALVE - 1"
20	40957	1	FITTING-3/4" JIC X 3/4" NPT (MALE), STEEL
21	420382	2	FITTING, ELBOW,90°, 1 1/4 NPT (MALE) X 3/4" JIC (MALE)
22	420383	1	FITTING-ADAPTER, 1-1/4" NPT (FEMALE) X 1" NPT (MALE), STEEL
23	60556-2	1	FILTER HEAD
24	60556-1	1	FILTER
25	1026037	1	SEAL
26	20100	2	U-BOLT (3/8" DIA x 2" ID x 3-5/8" OAL)
27	85091	4	WASHER, 3/8" HRDN
28	85025	4	NUT, 3/8"-16 NYLOK
29	410344	1	HOSE ASSY-3/4"x 25" LG TANK TO FILTER
30	40961	1	FITTING, STR ADAPTER STEEL, 1" JIC X 1" NPT (@ SHUT-OFF)
31	40147	1	SHUT-OFF VALVE - 3/4"
32	420379	1	FITTING-ELBOW,SAE O-RING (-16) 1-5/16-12 THREAD X 3/4"-14 NPT (MALE), STEEL
33	42182	1	FITTING-ADAPTER,1"NPT (MALE) X 3/4"NPT (FEMALE),STEEL
34	82371	2	BOLT - HEX 5/16-18 X 1" LG - FILTER TO TANK
35	85090	2	WASHER - 5/16
36	85134	2	LOCKWASHER 5/16
37	420374	2	FITTING, PLUG BRASS, 3/8" NPT HEX HEAD SOCKET
REV	DATE	BY	SHEET
E	9/19/2018	MAL	1 of 3

