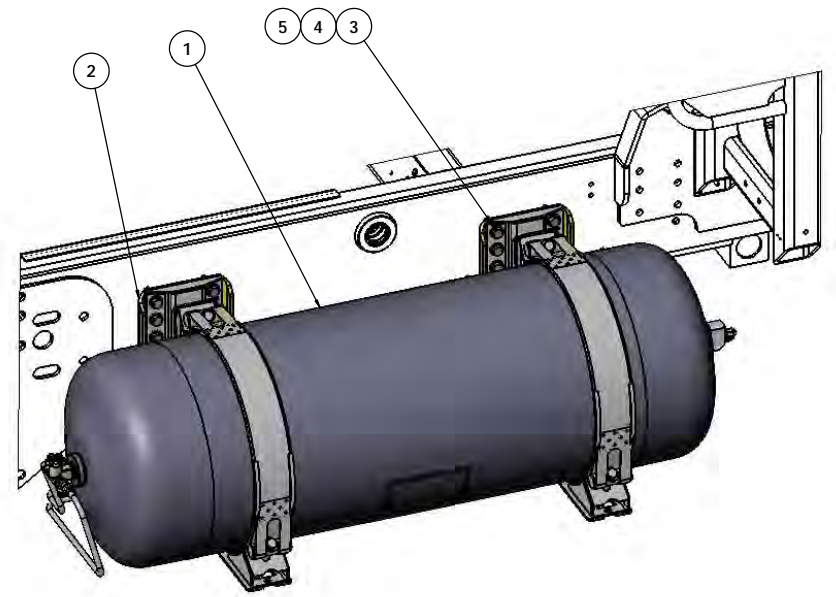


CNG FILTER AND CONTROL MODULE



CNG TANK & MOUNTING BRACKETS

DIMENSIONS ARE IN INCHES TOLERANCES: DECIMAL .00 & .015 .020 & .030 .040 & .050 ANGULAR .01° FUNCTIONAL ±.10° HATCHED GEOMETRIC TOLERANCING PER ASME Y14.5M-1994	NAME MAL DATE 7/6/2018	TICO MANUFACTURING 66 CYPRUS ROAD DR. ROCKLAND, NC 27854 (843) 717-2226
UNLESS OTHERWISE SPECIFIED ALL DIMENSIONS ARE TO BE DIMENSIONS UNLESS OTHERWISE SPECIFIED ALL DIMENSIONS ARE TO BE DIMENSIONS UNLESS OTHERWISE SPECIFIED ALL DIMENSIONS ARE TO BE DIMENSIONS UNLESS OTHERWISE SPECIFIED	CHECKED APPROVED DATE 7/6/2018	TITLE FUEL TANK & SYSTEM -B6.7N AGILITY FUEL SYSTEM
SEE NOTE N/A	SIZE D	DWG. NO. 722198-C1
SCALE 1:32 [WEIGHT: 4023.56] SHEET 2 OF 2	REV 1	REV 1

722198-C1

