
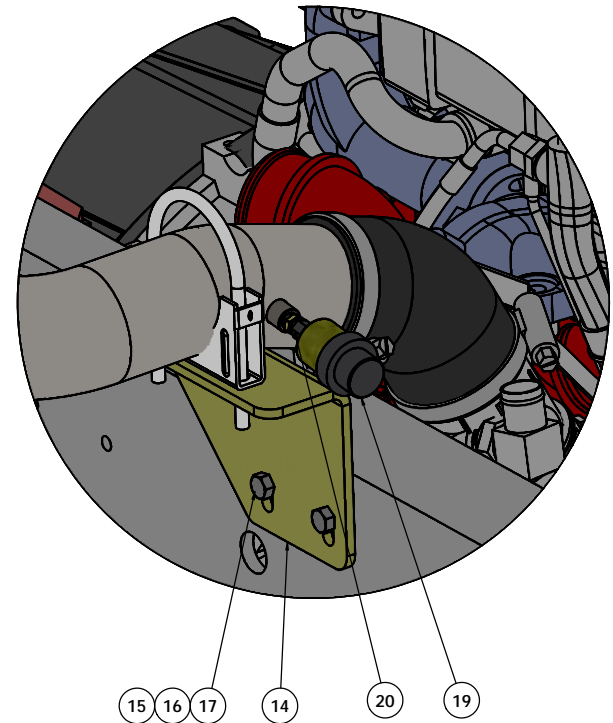
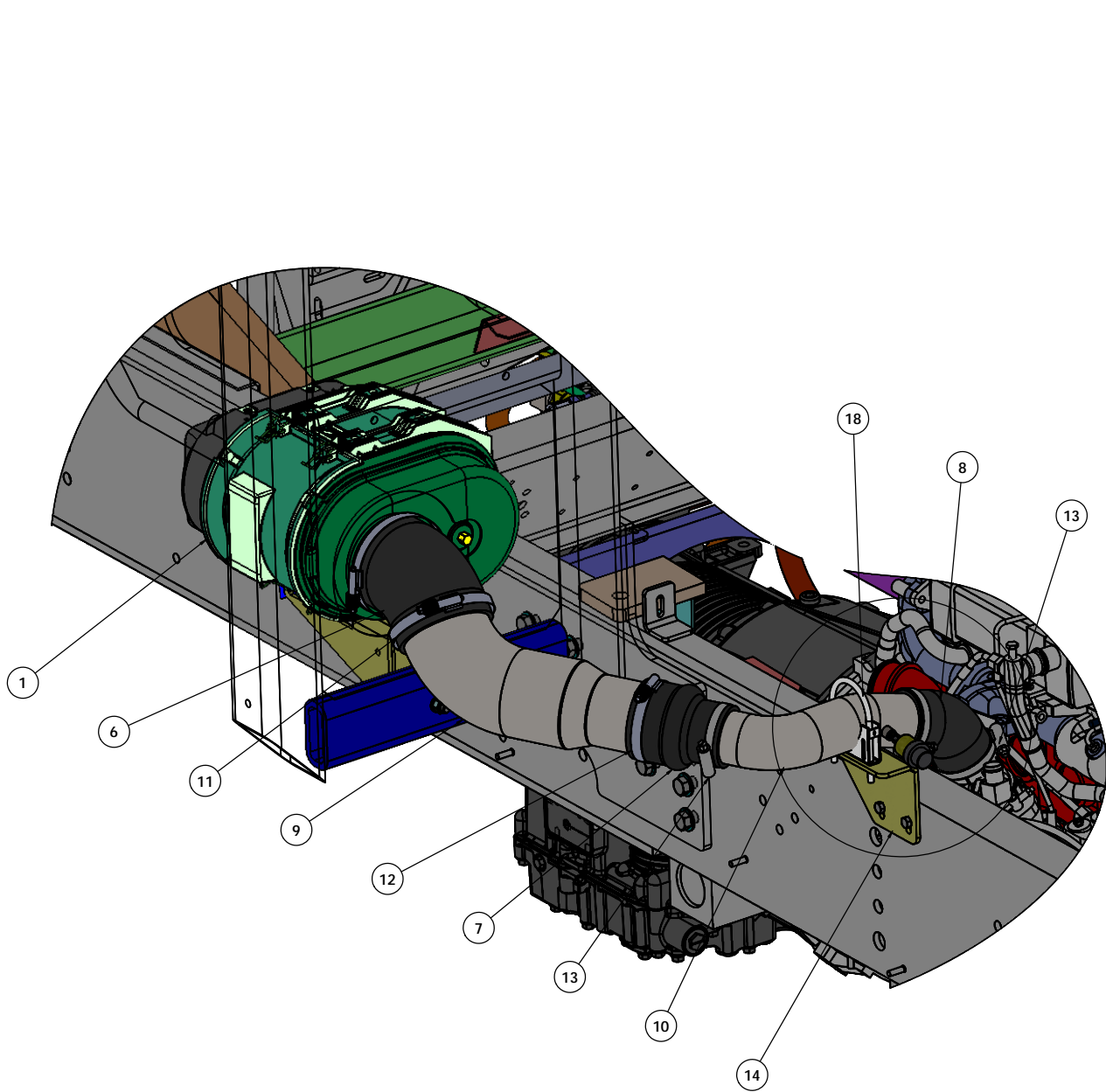


DIMENSIONS ARE IN INCHES		NAME	DATE	TICO MANUFACTURING 86 CYPRESS RIDGE DR. ROCKLEIGH, NC 27086 (843) 717-2226
TOLERANCES:		DESIGN	W/25/2018	
DECIMAL		✓ 0.005		
FRACTIONAL		✓ 1/32		
ANGULAR		✓ 0.1°		TITLE
FUNCTIONAL		✓ 1/2°		AIR INTAKE SYSTEM, 2018 B6.7N DONALDSON POWER CORE
INTERFERENCE FITTING		DO NOT SCALE DRAWING		SIZE
FOR ASSEMBLY		THE SUBJECT MATTER SHOWN AND DESCRIBED IN THE DRAWING AND ANY OTHER INFORMATION CONTAINED HEREIN IS THE PROPERTY OF TICO AND IS TO BE KEPT IN CONFIDENCE BY THE RECIPIENT. THIS DRAWING IS TO BE USED FOR THE MANUFACTURE OF THE PARTS AND COMPONENTS THEREOF AND IS NOT TO BE REPRODUCED OR TRANSMITTED IN ANY MANNER WITHOUT THE WRITTEN PERMISSION OF TICO MANUFACTURING, INC.		DWG. NO.
REVISIONS:		D		722173-B1
		SCALE: 1:32		WEIGHT:
				REV
				SHEET 1 OF 2

722173-B1



DIMENSIONS ARE IN INCHES		NAME	DATE
TOLERANCES	FRAC.	DRAWN	MAL
BOTH	± .005	CHECKED	W/2/2018
Ø	± .005	TICO MANUFACTURING	
ANGULAR	± .1°	40 CYPRESS ROAD DR.	
FRACTIONAL	± .125	ROCKLEIGH, NC 27856	
INTERPRET GEOMETRIC TOLERANCING PER ASME Y14.5M-1994		UNLESS OTHERWISE SPECIFIED IN THIS DRAWING, ALL DIMENSIONS ARE TO BE TAKEN FROM THE UNFINISHED SURFACE UNLESS OTHERWISE SPECIFIED.	
UNLESS OTHERWISE SPECIFIED IN THIS DRAWING, ALL DIMENSIONS ARE TO BE TAKEN FROM THE UNFINISHED SURFACE UNLESS OTHERWISE SPECIFIED.	TICD MANUFACTURING		
SIZE	DWG. NO.	REV	
D	722173-B1	D	
SCALE: 1:32	WEIGHT:	SHEET 2 OF 2	

D 722173-B1

