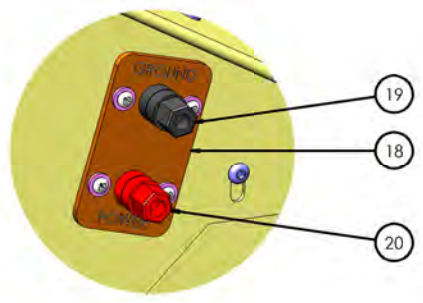
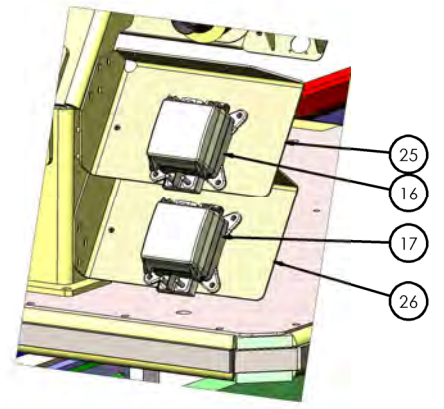


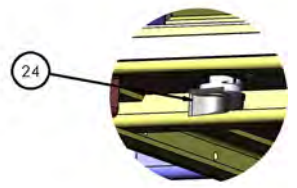
BATTERY BOX & PDC



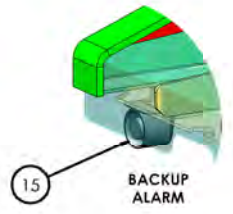
ELECTRICAL SUPPLY BOARD



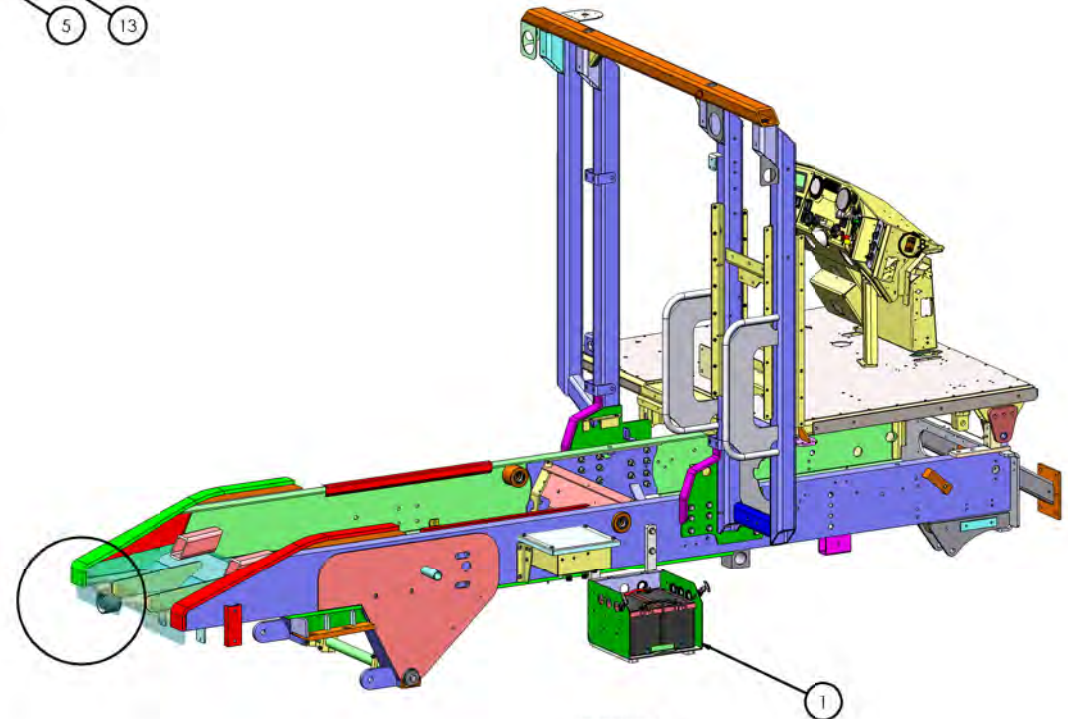
ELECTRICAL MODULES



ELECTRIC HORN



BACKUP ALARM



OVERVIEW

TITLE: BATTERY & WIRING SIZE: D DWG. NO.: 722168-D1 SCALE: 1:35 (WEIGHT) SHEET 1 OF 1	
---	--

TICO PRO-SPOTTER			
BATTERY & WIRING, 2017-III CAB, QSB-IV, RH ACCESS PAINTED			722168
ITEM	PART #	QTY/M	DESCRIPTION
NOT SHOWN	82382	1	BOLT, HEX HD 5/16"-18x 1 1/4 "
NOT SHOWN	85090	1	WASHER 5/16"
NOT SHOWN	85024	1	LOCKNUT, NYLOCK, COARSE, 5/16-18
NOT SHOWN	910652	1	STUD, FEED THRU, 5/16-18, BLACK EXTENDED
NOT SHOWN	910653	3	STUD, FEED THRU, 3/8-16, RED, EXTENDED
NOT SHOWN	91229	6	COVER-BATTERY POST (RED)
NOT SHOWN	80195	8	SCREW, PAN HD 10-32 x 1/2 Lg
NOT SHOWN	80232	8	WASHER, FLAT, SAE, #10, SS
NOT SHOWN	800424	8	NUT, HEX, NYLOCK, #10-32, SS
NOT SHOWN	91021	3	FUSE 5A - F18/F19/F20
NOT SHOWN	91023	13	FUSE 10A - F2/F3/F4/F5/F6/F7/F8/F9/F10/F21/F22/F23
NOT SHOWN	91025	7	FUSE 20A - F1/F12/F14/F15/F16/F17/F24
NOT SHOWN	91027	1	FUSE 30A - F13
NOT SHOWN	910440	1	CABLE - 6 GAUGE, RED, 3/8" x 5/16" x 12" LG
NOT SHOWN	910654	2	CABLE- 6 GAUGE, RED, 3/8" x 5/16" x 14" LG
NOT SHOWN	910655	1	CABLE- 6 GAUGE, RED, 5/16" x 5/16" x 12-1/2" LG
NOT SHOWN	910659	1	CABLE- 2 GAUGE, RED, 3/8" x 3/8" x 32" LG
NOT SHOWN	910655	1	CABLE- 6 GAUGE, RED, 5/16" x 5/16" x 12-1/2" LG
NOT SHOWN	910656	1	CABLE- 6 GAUGE, BLK, 5/16" x 5/16" x 21-1/2" LG
NOT SHOWN	910657	2	CABLE- 6 GAUGE, BLK, 5/16" x 5/16" x 18-1/2" LG
NOT SHOWN	910664	1	CABLE - 2 GAUGE, BLACK, 5/16" x 3/8" x 182" LG
NOT SHOWN	910512	1	CABLE - 2 GAUGE, RED, 5/16" x 3/8" x 185" LG
NOT SHOWN	910513	1	CABLE - 2/0, RED, 5/16" x 3/8" x 185" LG
NOT SHOWN	620477	1	BRACKET, STANDOFF 1 X 1 3/4 X 5" LG (BRACKET TO FRONT CROSSMEMBER)
NOT SHOWN	82394	1	BOLT, HEX 3/8"-16 x 1-1/2" Lg GRD 8 (BRACKET TO FRAME)
NOT SHOWN	82372	1	BOLT, HEX 3/8"-16 x 1" Lg GRD 8 (BRACKET TO P-CLAMP)
NOT SHOWN	420419	1	P-CLAMP, 1 3/4" I.D. (BRACKET TO RED CABLE)
NOT SHOWN	42197	1	P-CLAMP, 3/4" I.D. (BRACKET TO BLACK CABLE)
NOT SHOWN	85091	4	WASHER, HRDN 3/8" (BRACKET TO FRAME)
NOT SHOWN	85025	2	NUT, NYLOK 3/8"-16 (BRACKET TO FRAME)
NOT SHOWN	621025	1	HARNES-WIRE, SPITTER VALVE EXTENSION, 2017-III CAB
REV	DATE	BY	SHEET
D	11/21/2018	MAL	3 OF