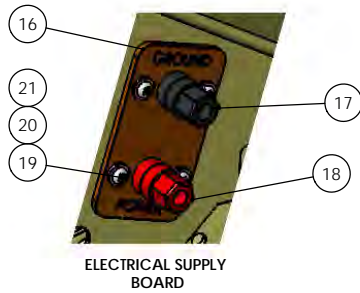
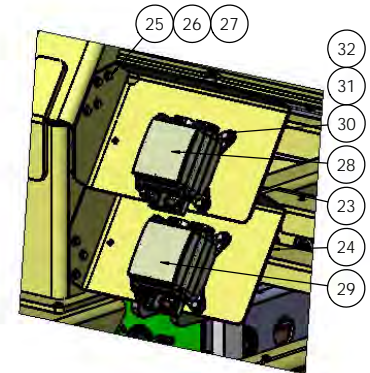


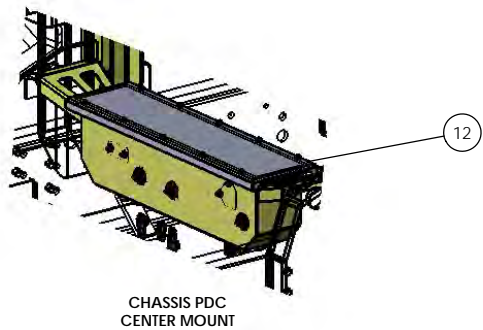
BATTERY BOX  
DETAIL



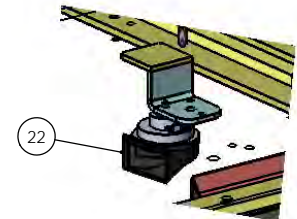
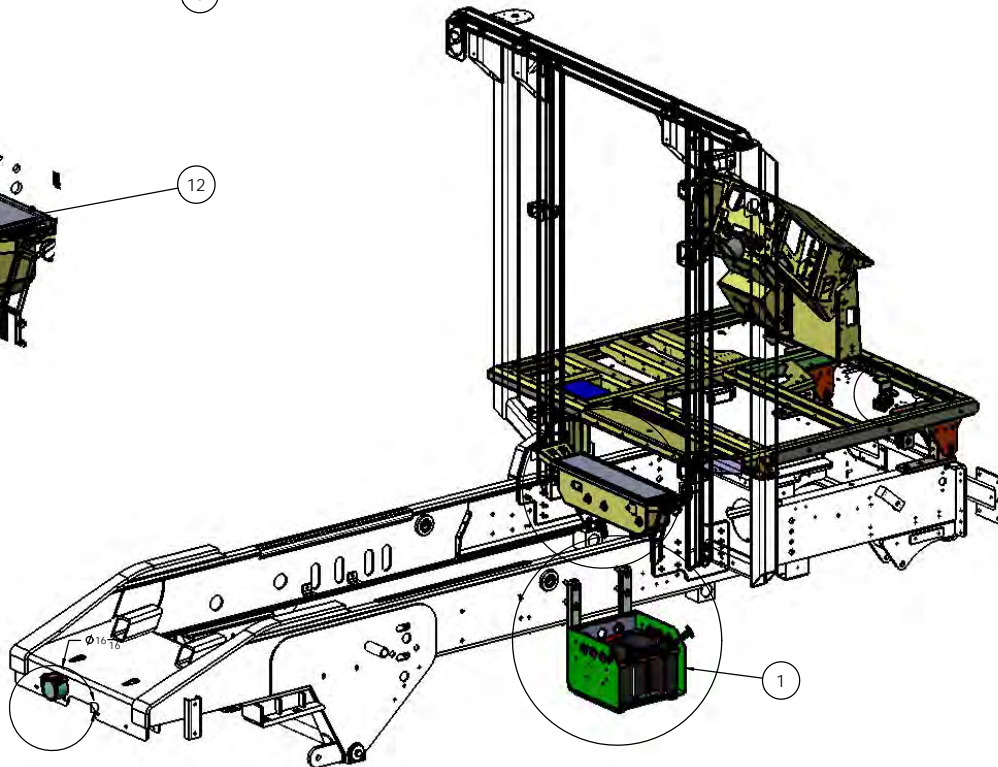
ELECTRICAL SUPPLY  
BOARD



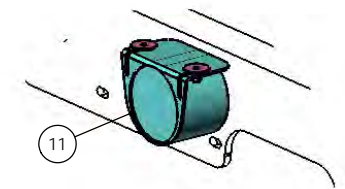
ELECTRICAL MODULES



CHASSIS PDC  
CENTER MOUNT



ELECTRIC HORN



BACKUP ALARM

DIMENSIONS ARE IN INCHES TOLERANCES: DECIMAL: .0008 FRACTIONAL: 1/32"	NAME: MAL DATE: 5/15/2019 CHECKED: APPROVED: THE SUBJECT MATTER SHOWN AND DESCRIBED IN THE DRAWING AND ANY OTHER INFORMATION CONTAINED IN THIS DRAWING IS THE PROPERTY OF TICO. ALL RIGHTS TO ANY PATENTS, TRADE SECRETS, OR OTHER INTELLECTUAL PROPERTY ARE RESERVED TO TICO.	TICO MANUFACTURING 44 CYPRUS ROAD DR. ROCKLAND, NC 27854 (843) 717-2226
TITLES: BATTERY & WIRING, 2017-III CAB, TIER-III	SIZE: D DWG. NO.: 722153-M1 SCALE: 1:32 WEIGHT:	REV: 1 SHEET 1 OF 1

TICO PRO-SPOTTER				
BATTERY & WIRING, 2017-III CAB, QSB-IV, RH ACCESS PAINTED				722153
ITEM	PART #	QTY/M	DESCRIPTION	
1	200378	1	ASSEMBLY, BATTERY BOX	
2	82485	4	BOLT, 5/8 -11 x 3.5 Lg - BATTERY BOX to FRM	
3	85094	8	WASHER, FLAT 5/8	
4	85028	4	LOCKNUT NYLOK, 5/8-11	
5	91814	2	BATTERY,SERIES 31,STUD, 750 CCA, INTERSTATE	
6	20075	2	BATTERY HOLD-DOWN BRACKET,TRIPLE BATTERY	
7	20012	4	ASSEMBLY, J-HOOK W/ HARDWARE, BATTERY HOLD-DOWN	
NS	85111	8	WASHER, FLAT, 1/4", SAE, GRD 5, ZINC PLT	
NS	82359	4	BOLT, HEX HD 1/4-20 x 3/4	
NS	85133	4	LOCKWASHER, HELICAL SPRING 1/4	
8	12070	1	BRACKET BATTERY STOP	
9	90114	4	GROMMET 2.375" OD, 1.75" ID, .375" THK, .125"WG	
10	40210-2	1	PAD,RUBBER DUAL BATTERY BOX	
NS	42292	1	RUBBER MAT BATTERY BOX COVER	
11	91250	1	BACKUP ALARM ASSEMBLY, STANDARD, VELVAC	
NS	80129	2	WASHER, FENDER 1/4-20 x 1 1/4 OD	
NS	85111	2	WASHER, FLAT 1/4	
NS	85133	2	LOCKWASHER, 1/4	
NS	85023	2	NUT, HEX NYLOK 1/4-20	
12	620905	1	HARNESS, ASSEMBLY, CHASSIS PDC, DIESEL, 2017, CAB BAR	
NS	91229	8	COVER-BATTERY POST (RED)	
NS	91230	7	COVER-BATTERY POST (BLK)	
NS	61522	1	CABLE,3/0, BATTERY POSITIVE,TO STARTER POSITIVE, RED, 55.5" LG	
NS	90837	1	CABLE,BATTERY TO STARTER NEGATIVE	
13	90843	1	CABLE, 3/0 RED BATTERY JUMPER 9 1/2 HTH	
14	90844	1	CABLE, 3/0 BLK BATTERY JUMPER 9 1/2 HTH	
15	90957	2	TERMINAL STRIP ASSEMBLY	
NS	910325	1	CABLE - 3/0 RED BATTERY to STARTER 48" Lg	
NS	91223	1	CABLE - 3/0 BLK BATTERY to STARTER 56" LG	
NS	910668	1	CABLE - 2/0, RED, 3/8" X 3/8" X 60" LG	
NS	910596	1	CABLE - 6 GAUGE, BLACK, 3/8" x 3/8" x 57" LG	
NS	620804	1	HARNESS-WIRE, 2017 CAB, MAIN DASH, DIESEL ENGINES	
NS	620856	1	HARNESS-WIRE DOOR CONTROL RELAYS, 2017 CAB	
NS	90828	1	WIRE HARNESS - CAB ACC. (2 FANS/DOME LGT)	
NS	620631-2	1	HARNESS-WIRE, 2017 CHASSIS INTERFACE, FRONT MOUNT PDC, BRAID	
NS	61535	1	WIRE HARNESS - TAIL LIGHTS 116" WB	
REV	DATE	BY		SHEET
M	8/7/2019	MAL		1 OF 3

TICO PRO-SPOTTER				
BATTERY & WIRING, 2017-III CAB, QSB-IV, RH ACCESS PAINTED				722153
ITEM	PART #	QTY/M	DESCRIPTION	
16	121934	1	ELECTRICAL SUPPLY BOARD (2017-II)	
17	90585	1	TERMINAL, NEGATIVE BINDING POST 12V DC	
18	90586	1	TERMINAL, POSITIVE BINDING POST 12V DC	
19	800412	4	SCREW, PAN HD 6-32 X 1/2 LG, ZINC	
20	80230	4	WASHER, FLAT, SAE, #6, SS	
21	800427	4	NUT, HEX, NYLOCK, #6-32, SS	
NS	910434	1	FUSE-MAXI, 60 AMP	
NS	910435	1	FUSE-MAXI, 80 AMP	
NS	910436	1	RELAY-70 AMP, POWER RELAY, CAB IGNITION	
NS	910518	2	RELAY-MICRO, 35A, 12VDC	
NS	91021	3	FUSE 5A - F18/F19/F20	
NS	91023	13	FUSE 10A - F2/F3/F4/F5/F6/F7/F8/F9/F10/F11/F21/F22/F23	
NS	91025	7	FUSE 20A - F1/F4/F12/F14/F15/F16/F17/F24	
NS	91027	1	FUSE 30A - F13	
22	90207	1	HORN, ELECTRIC	
23	122246	1	BRACKET, ASS'Y., ELECTRICAL, LH FRT. UPPER, 2017-II	
24	122038	1	BRACKET, ASS'Y., ELECTRICAL, LH FRT. LOWER (2017-II)	
25	82370	8	BOLT, HEX HD 1/4-20 x 1	
26	85089	8	WASHER 1/4	
27	85023	8	LOCK NUT- NYLOCK COARSE 1/4-20	
28	620638	1	MODULE-2017 CAB, VEHICLE ELECTRICAL CENTER, MODULE 1	
29	620639	1	MODULE-2017 CAB, VEHICLE ELECTRICAL CENTER, MODULE 2	
30	82371	8	BOLT, HEX HD 5/16-18x 1	
31	85090	16	WASHER, FLAT, 5/16", SAE, GRD 8, ZINC PLT	
32	85024	8	LOCKNUT, NYLOCK, COARSE, 5/16-18, GRD 8	
NS	910652	1	STUD, FEED THRU, 5/16-18, BLACK, EXTENDED	
NS	910653	3	STUD, FEED THRU, 3/8-16, RED, EXTENDED	
NS	91229	6	COVER-BATTERY POST (RED)	
NS	80195	8	SCREW, PAN HD 10-32 x 1/2 Lg	
NS	80232	8	WASHER, FLAT, SAE, #10, SS	
NS	800424	8	NUT, HEX, NYLOCK, #10-32, SS	
NS	910440	1	CABLE - 6 GAUGE, RED, 3/8" x 5/16" x 12" LG	
NS	910654	1	CABLE- 6 GAUGE, RED, 3/8" x 5/16" x 14" LG	
NS	910655	1	CABLE- 6 GAUGE, RED, 5/16" x 5/16" x 12-1/2" LG	
NS	910659	1	CABLE- 2 GAUGE, RED, 3/8" x 3/8" x 32" LG	
NS	910655	1	CABLE- 6 GAUGE, RED, 5/16" x 5/16" x 12-1/2" LG	
NS	910656	1	CABLE- 6 GAUGE, BLK, 5/16" x 5/16" x 21-1/2" LG	
NS	910657	2	CABLE- 6 GAUGE, BLK, 5/16" x 5/16" x 18-1/2" LG	
REV	DATE	BY		SHEET
M	8/7/2019	MAL		2 OF 3

