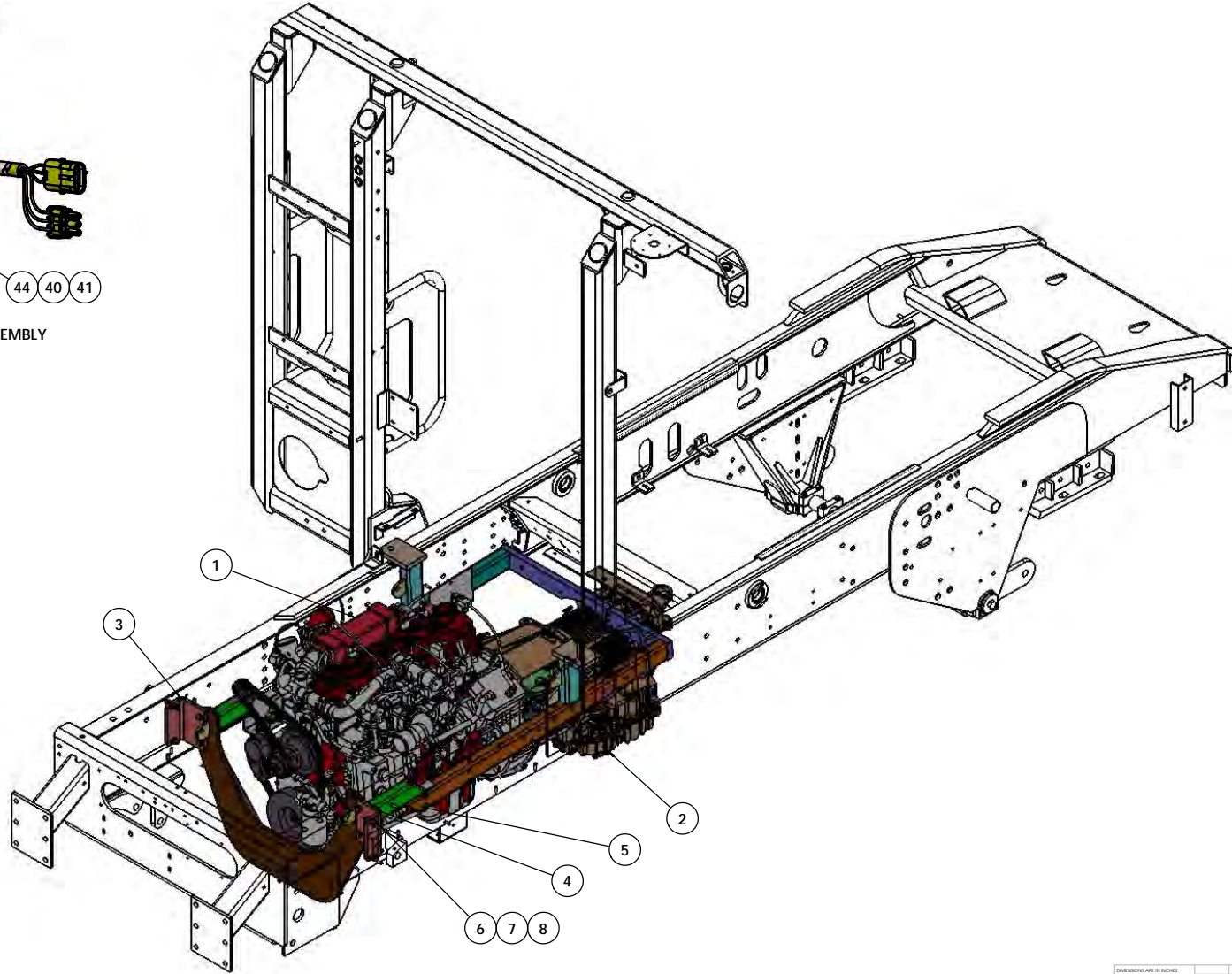


ACCELERATOR PEDAL ASSEMBLY

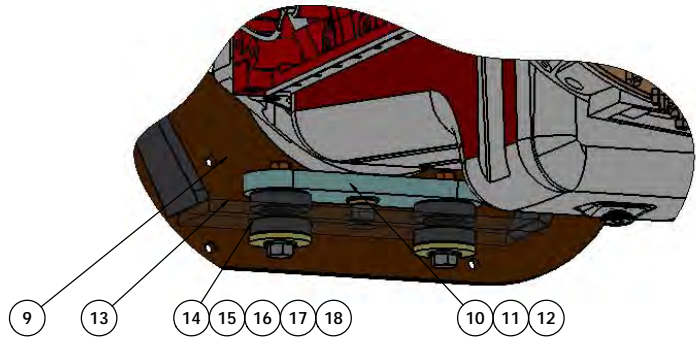


722150-J1 ENGINE & TRANSMISSION

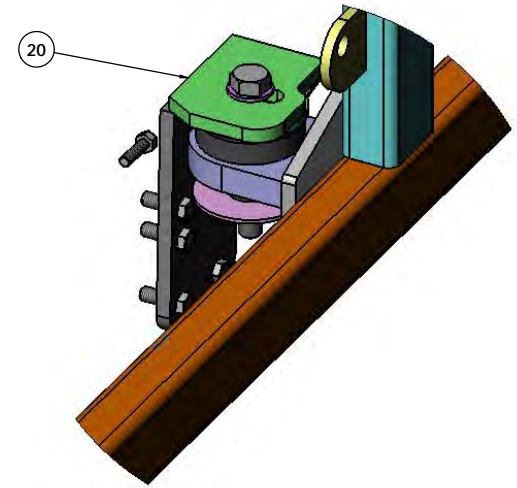
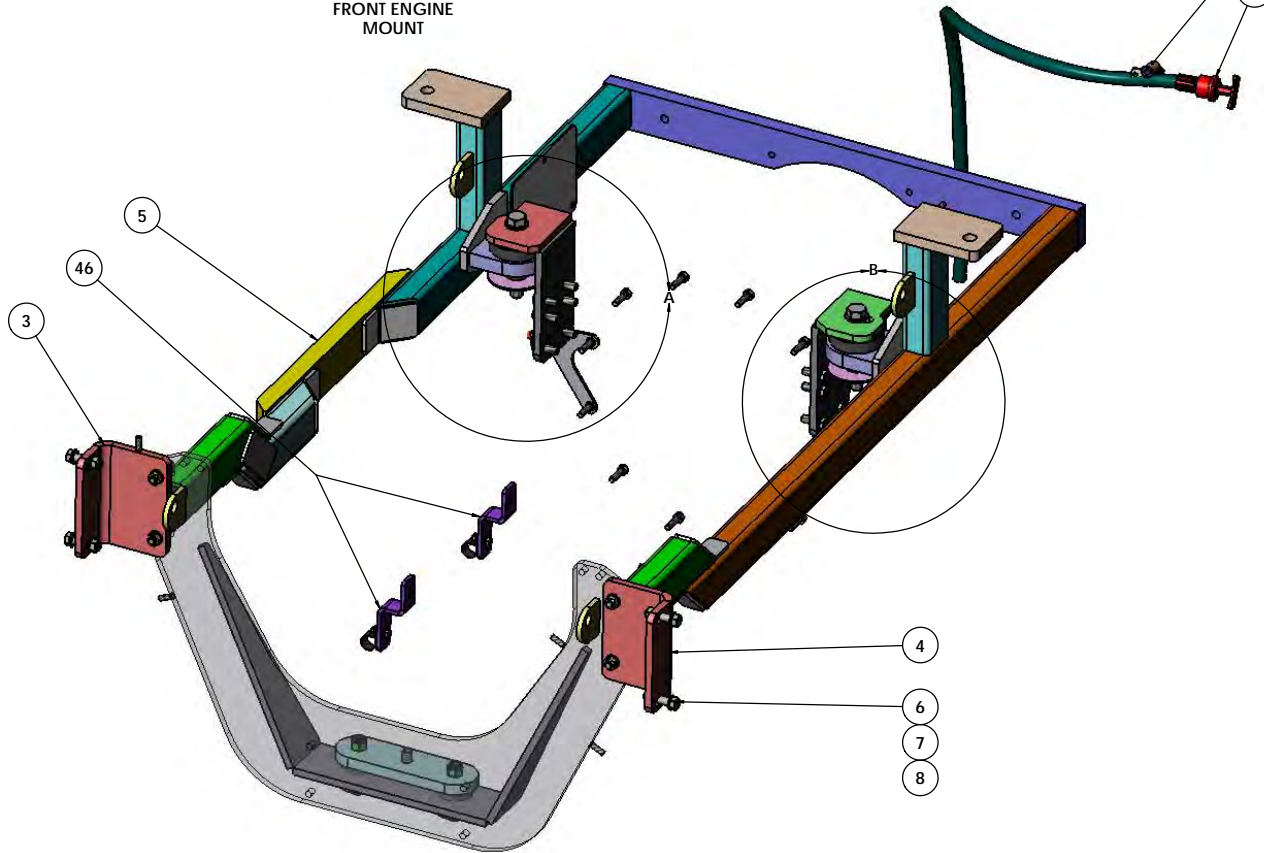
PAGE 1 GENERAL OVERVIEW
 PAGE 2 DETAIL PAGE
 PAGE 3-5 PARTS LIST

DIMENSIONS ARE IN INCHES TOLERANCES: DECIMALS: .000 & .005 .010 & .015 .020 & .030 ANGULAR: FRACTIONAL: ±1/16° HORIZONTAL GEOMETRIC TOLERANCING PER ASME Y14.5M-1994 UNLESS OTHERWISE SPECIFIED SEE NOTE UNLESS OTHERWISE SPECIFIED	NAME: MAL DATE: 7/9/2018 CHECKED: APPROVED: DOTTED SCALE DRAWING THE SUBJECT MATTER SHOWN AND DESCRIBED IN THE DRAWING AND ANY OTHER INFORMATION CONTAINED HEREIN IS THE PROPERTY OF WIPAC AND IS NOT TO BE REPRODUCED OR TRANSMITTED IN ANY FORM OR BY ANY MEANS, ELECTRONIC OR MECHANICAL, INCLUDING PHOTOCOPYING, RECORDING, OR BY ANY INFORMATION STORAGE AND RETRIEVAL SYSTEM, WITHOUT THE WRITTEN PERMISSION OF WIPAC.	TITLE: ENGINE & TRANSMISSION, 2017-III CAB, B6.7N 200 HP SIZE: DWG. NO. 722150-J1 SCALE: 1:32 [WEIGHT: 4430 LB] SHEET 1 OF 2	WIPAC MANUFACTURING 840 CYPRESS RIDGE DR. ROCKLEIGH, NC 27856 (843) 717-2226
---	--	---	---

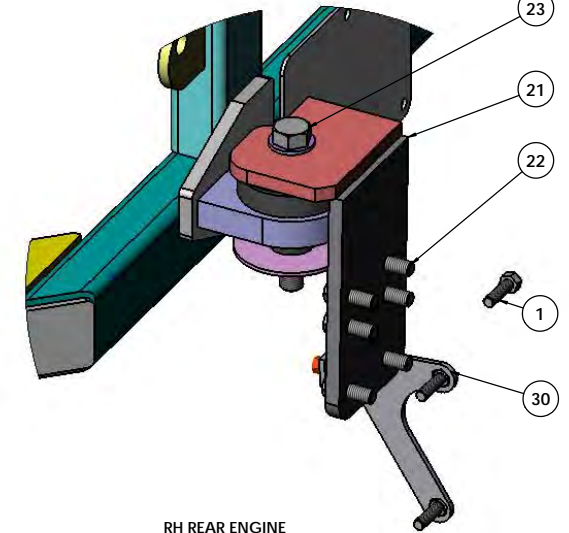
722150-J1



FRONT ENGINE MOUNT



LH REAR ENGINE MOUNT



RH REAR ENGINE MOUNT

DIMENSIONS ARE IN INCHES		NAME	DATE
TOLERANCES UNLESS SPECIFIED:	DRAWN	MAL	7/17/2018
FRACTIONS	CHECKED		
DECIMALS	APPROVED		
ANGULAR	DOTTED SCALE DRAWING		
FRACTIONS	THE SUBJECT MATTER SHOWN AND DESCRIBED IN THE DRAWING AND ANY OTHER INFORMATION CONTAINED HEREIN IS THE PROPERTY OF WIPAC AND IS TO BE USED ONLY FOR THE PURPOSES SPECIFIED HEREIN. ALL RIGHTS TO ANY PATENTS, TRADEMARKS, OR OTHER INTELLECTUAL PROPERTY ARE RESERVED TO WIPAC. THIS DRAWING IS NOT TO BE REPRODUCED OR TRANSMITTED IN ANY FORM OR BY ANY MEANS, ELECTRONIC OR MECHANICAL, INCLUDING PHOTOCOPYING, RECORDING, OR BY ANY INFORMATION STORAGE AND RETRIEVAL SYSTEM, WITHOUT PERMISSION IN WRITING FROM WIPAC.		
WIPAC	TICO MANUFACTURING INC. CYPRESS, TEXAS 77429 (843) 377-2226		
WIPAC	TITLE: ENGINE & TRANSMISSION, 2017-18 CAB, B6-7N 200 HP		
WIPAC	SIZE	DWG. NO.	REV
WIPAC	D	722150-J1	
WIPAC	SCALE: 1:12	WEIGHT: 644.32	SHEET 2 OF 2

TICO PRO-SPOTTER				
ENGINE & TRANSMISSION 2017-III CAB, B6.7N 200HP, RDS3000 GEN V				722150
ITEM	PART #	QTY/M	DESCRIPTION	
30	90910	1	BRACKET-BATTERY CABLE SUPPORT	
31	61574	1	DIPSTICK-TRANSMISSION RDS	
32	12091	1	SPACER	
33	82382	3	BOLT, HEX 5/16-18 x 2 1/4 Lg	
34	85112	8	WASHER, FLAT 5/16	
35	85134	2	LOCKWASHER 5/16	
36	40593	4	P-CLAMP, 1"	
NOT SHOWN	80349	1	STUD, 5/16-18 X 1"LG WELD	
NOT SHOWN	85035	1	LOCKNUT 5/16	
NOT SHOWN	62126	1	CLIP, DIPSTICK RETAINER	
NOT SHOWN	800458	1	M8-2.12 x 20MM HEX WASHER HEAD TAPPING SCREW	
NOT SHOWN	920090	1	ALTERNATOR-160 AMP, MITSUBISHI, PAD MOUNT	
NOT SHOWN	920092	REF	BELT-V RIBBED, 16'-ISB WATER PUMP/PAD MOUNT ALT.p	
NOT SHOWN	80385	4	BOLT HEX CAPSCREW 10MM-1.5X100MM LG	
NOT SHOWN	91964	1	STARTER- ENGINE, DENSO PA90S	
NOT SHOWN	60799-6	2	BOLT-10MM-1.5 X 30, HEX HD 10.9	
NOT SHOWN	85135	2	WASHER-3/8	
NOT SHOWN	620933	1	HARNESS-WIRE, OBD JUMPER-B6.7, GREEN,500K, EOL, 2017-II CAB	
NOT SHOWN	122564	1	BRACKET, DASH,DUAL DIAGNOSTIC PORT	
NOT SHOWN	122549	1	PLATE, CAB PDC RELAY BLOCK COVER	
NOT SHOWN	82348	2	SCREW, HEX HD SOCKET CAP 1/4-20 X 1/2" LG, GR 8, ZINC	
NOT SHOWN	85111	2	WASHER, NARROW, SOFT, 1/4", ZINC	
NOT SHOWN	85001	2	NUT, HEX, NYLOCK 1/4-20, GR 5, ZINC	
NOT SHOWN	62037	1	SENSOR-AMBIENT AIR 2013-ISB	
NOT SHOWN	62044	1	BRACKET-SENSOR MOUNT	
NOT SHOWN	60061	1	PRESSURE STAT 10 Lbs	
NOT SHOWN	40467	1	FITTING, TEE STREET, 1/8 NPT	
NOT SHOWN	12091	1	SPACER-DIPSTICK	
NOT SHOWN	620630	1	HARNESS-WIRE, 2017 GEN V ALLISON TRANSMISSION, CAB MOUNTED (250k)	
NOT SHOWN	91133	1	CABLE, 2 GAUGE, BLACK, 1/4" X 3/8" LUGS X 46" LG	
NOT SHOWN	90798	1	CABLE, 2 GAUGE, RED, 5/16" X 3/8" LUGS X 42" LG	
NOT SHOWN	910665	1	CABLE- 6 GAUGE, BLACK, 5/16" x 3/8" x 80" LG	
NOT SHOWN	61704	1	BRACKET-STANDOFF	
REV	DATE	BY		SHEET
J	7/12/2018	MAL		2 OF 3

