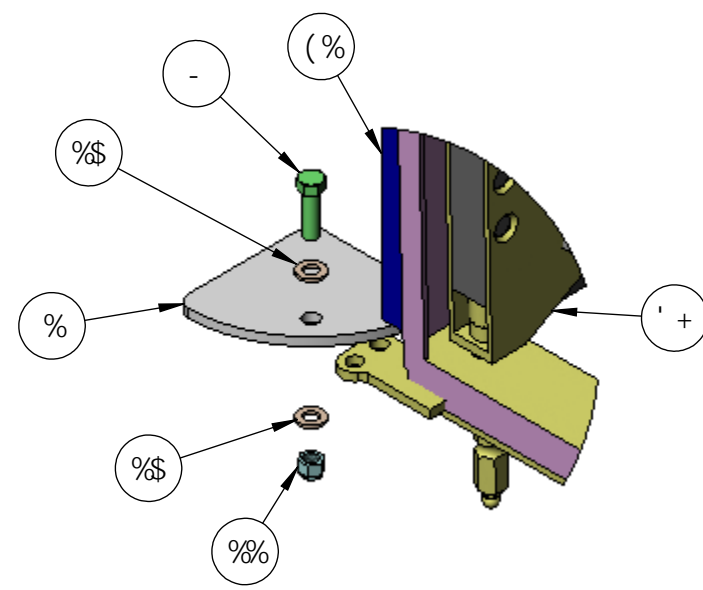
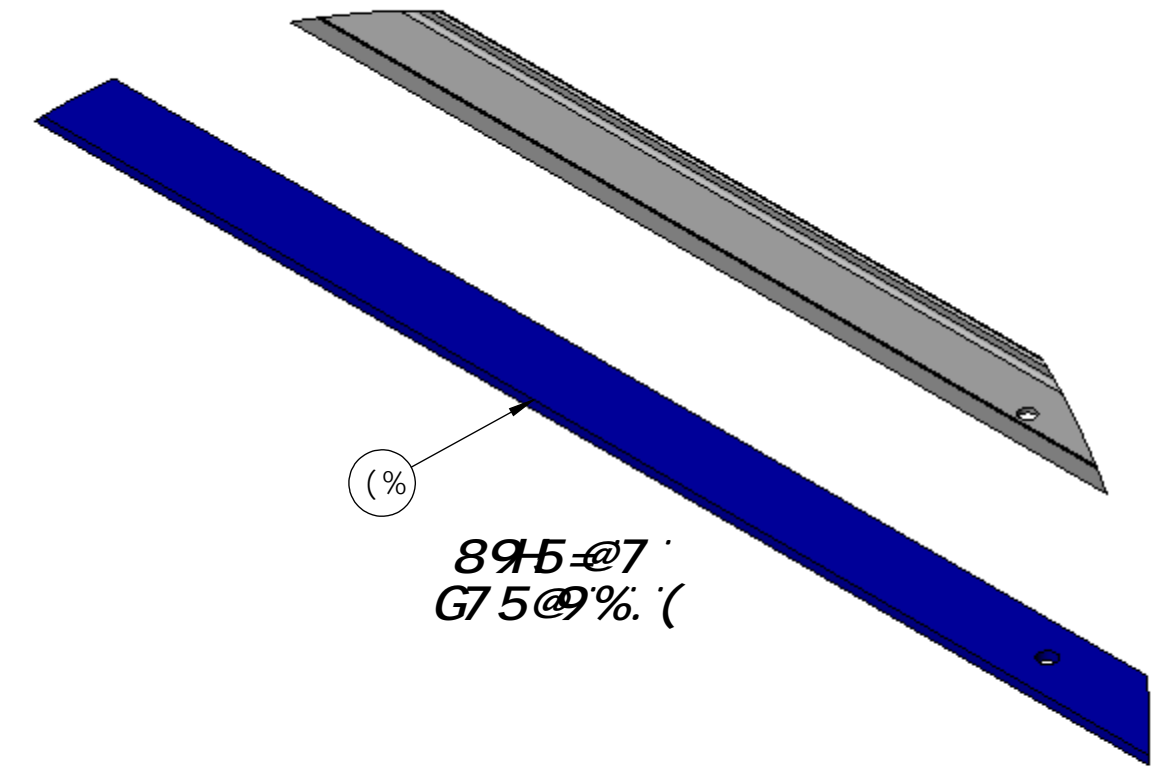


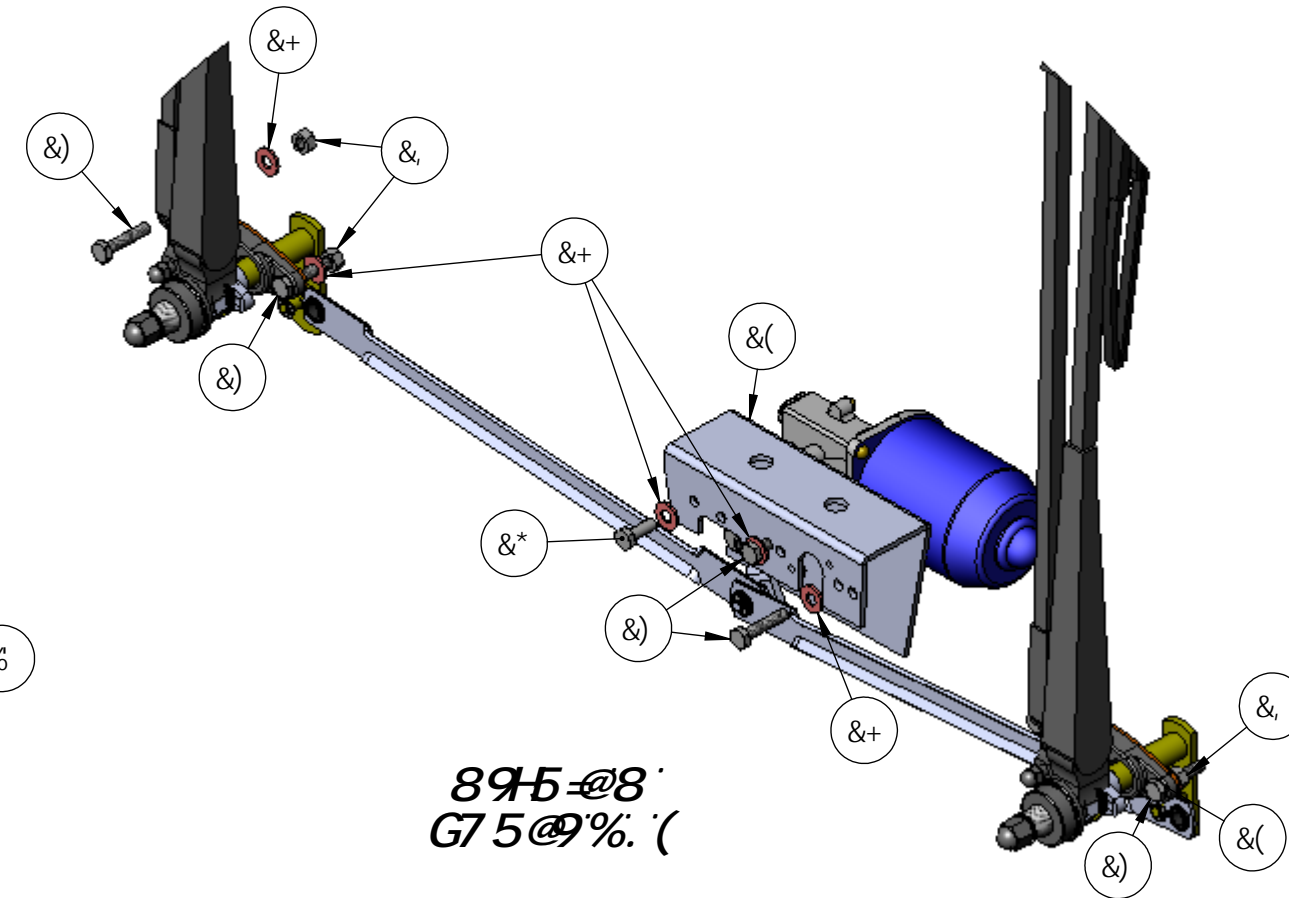
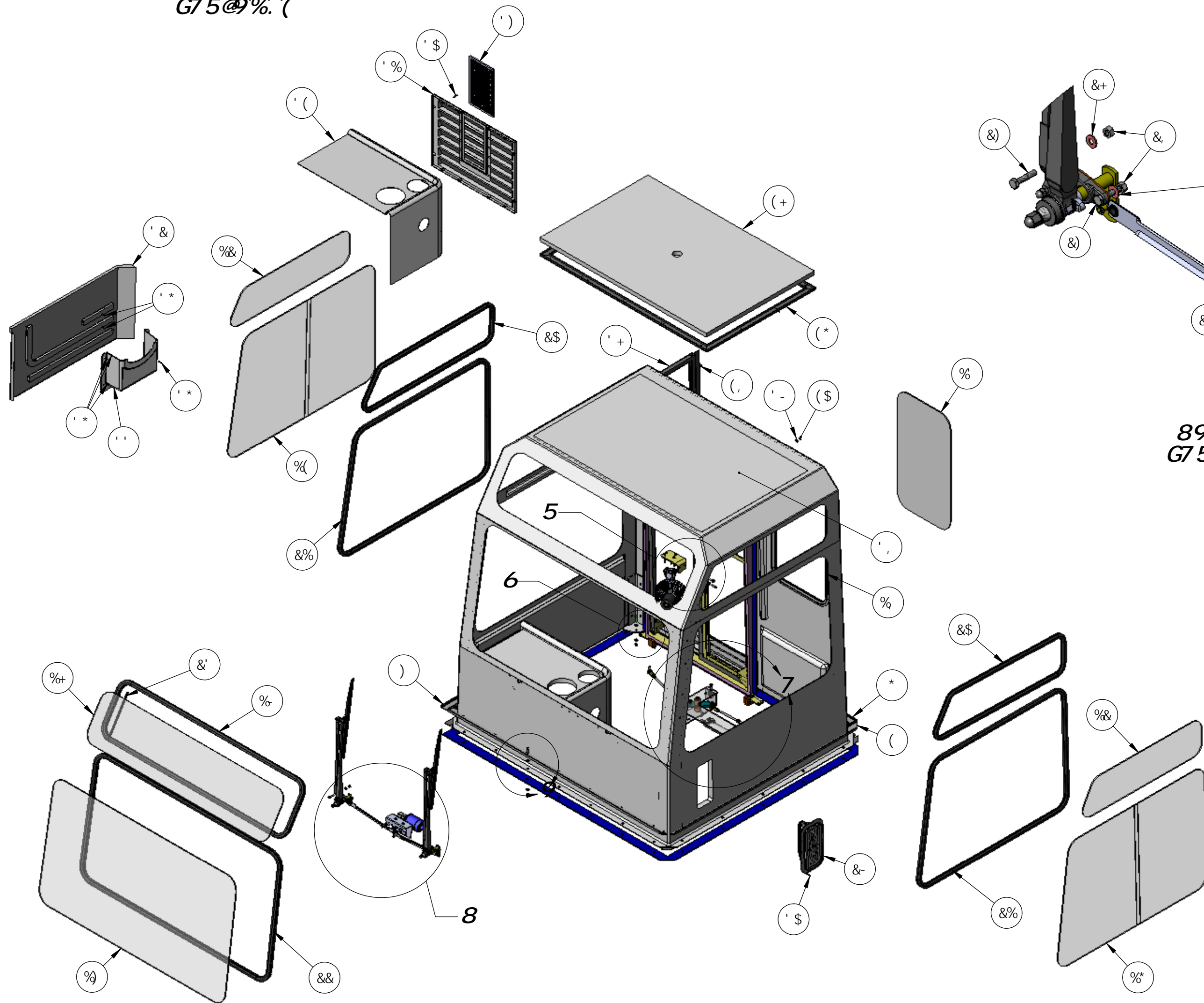
895-05
G75@%.'(



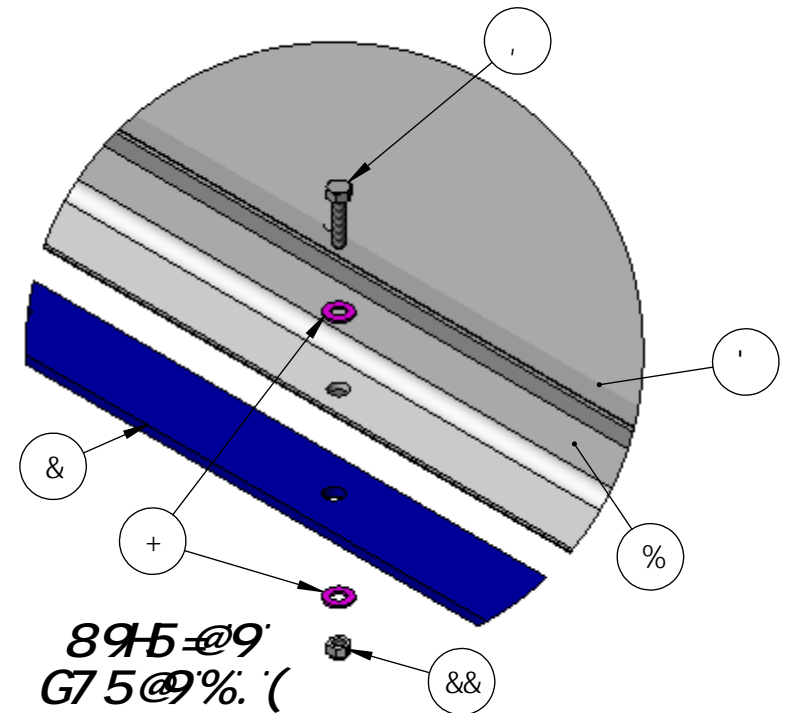
895-06
G75@%.'(



895-07
G75@%.'(



895-08
G75@%.'(



895-09
G75@%.'(

8A 9B GC 0G5F9 B B7 < 9G HC 0XF5B7 9G 897 A 5@	B5A 9	85H9	H7 C #FF A B5 @GF J # 9 ** 7 NDF 9G3F B: 9 8F F 8: 9 85 B2G7 & -' * fl (' E + % ! && *	
L'L' : : S' %) \$ L'LL' : S' S' % L'LL' : S' S' % 5B: I 45F : : % : F57 HC B5 @ : : % % *	8F5K B	FK 7	TICO	
BHFFDF9H: 0CA 9F 7 HC 0XF5B7 B: DF: 5GA 9 1() A 1% - (7 < 97 7 98	5DDFC J 98	HH99	
A 5HF 5@	8C BCHG7 5@ 8F5K B:		756'5GGM! *, "756	
: B <:	H: 9G 6-97 HA 5HF G: C K B 5B8 8'907 F 498 B H: G8F5K B: 5B8 5BM C H: 9F B: C FA 5HC B 58J 5B7 98 B 7 C B897 HC B H: 9F 9K H: 2 G DF C DF 485 F M8C DFH 5B8 GHC 69 < 98 B GF 7 H7 C B: 8 98 7 9 6 M M C I * 5 0FF = < HGHC 5BM B J 98 HC B G2 8'90: B Q2H 589A 5F7 Q2H 589 B5A 9G 5B8 7 C DM = < HG 87 4C 98 5F 9F 90F J 98 HC H7 C HFA B5 @ GF J # 9Q B 7 *	GN9	8K ; "BC"	F9J
H: 7789GG	7		+ % -) ! 8 %	8 %
	G7 5 @ % . %			G < 99 H % C : %

TICO PRO-SPOTTER

S/N: CAB ASSY - W/ 65" BODE DOOR ASSY **72215**

ITEM	PART #	QTY/M	DESCRIPTION	TASK
	71395-D1	REF	CAB ASSEMBLY-68" CAB	
1	91601	1	CAB ASSEMBLY, 65" DOOR	
2	90007-1	1	CAB SEAL KIT - RUBBER	
3	90193-1	1	CHANNEL - CAB HOLD DOWN, FRONT	
4	90193-2	1	CHANNEL - CAB HOLD DOWN, LEFT	
5	90193-3	1	CHANNEL - CAB HOLD DOWN, RIGHT	
6	90501	1	CHANNEL - CAB HOLD DOWN, REAR	
7	85090	21	WASHER, 5/16	
8	85090	42	BOLT, HEX, 5/16-18 X 1-1/4" LG	
NOT SHOWN	82382	21	NUT, 5/16-18 NC NYLOCK	
9	82383	4	BOLT, HEX, 3/8-16 X 1-1/4" LG	
10	85102	8	WASHER, 3/8	
11	85025	4	LOCKNUT, 3/8-16 NC NYLOCK	
12	90424	2	GLASS, UPPER SIDE	
13	90425	1	GLASS, BACK	
14	91616	1	WINDOW, RH	
15	90420	1	WINDSHIELD, FRONT	
16	91617	1	WINDOW, LH	
17	90421	1	GLASS, FRONT UPPER	
18	90521-1	1	SEAL RUBBER, WINDOW BACK	
19	90521-2	1	SEAL RUBBER, WINDOW FRONT UPPER	
20	90521-3	2	SEAL RUBBER, WINDOW SIDE UPPER	
21	90521-4	2	SEAL RUBBER, WINDOW SIDE	
22	90521-5	1	SEAL RUBBER, WINDSHIELD	
23	90522	70 FT	LOCK STRIP - RUBBER	
24	91632	1	WINDSHIELD WIPER KIT	
25	82381	6	BOLT, HEX, 1/4-20 X 1-1/4" LG	
26	82359	1	BOLT, HEX, 1/4-20 X 3/4" LG	
27	85089	7	WASHER, FLAT 1/4	
28	85023	4	LOCKNUT, 1/4-20 NYLOK	
29	90180	1	VENT - SIDE	
30	80291	28	SCREW, PSM BLACK 10-32 X 1-1/4" LG	
31	90774	1	COVER - LOUVER, HEATER BOX COVER	
32	90775	1	COVER - SIDE WALL PANEL	
33	90778	1	HOLDER - DOCUMENT	
34	90773	1	COVER - HEATER	
35	90505	1	FILTER - HEATER	
36	80292	20	SCREW, PSM 10-32 X 1" LG	
REV	DATE	BY		SHEET
				1 OF 2

