

8 7 6 5 4 3 2 1

D

D

C

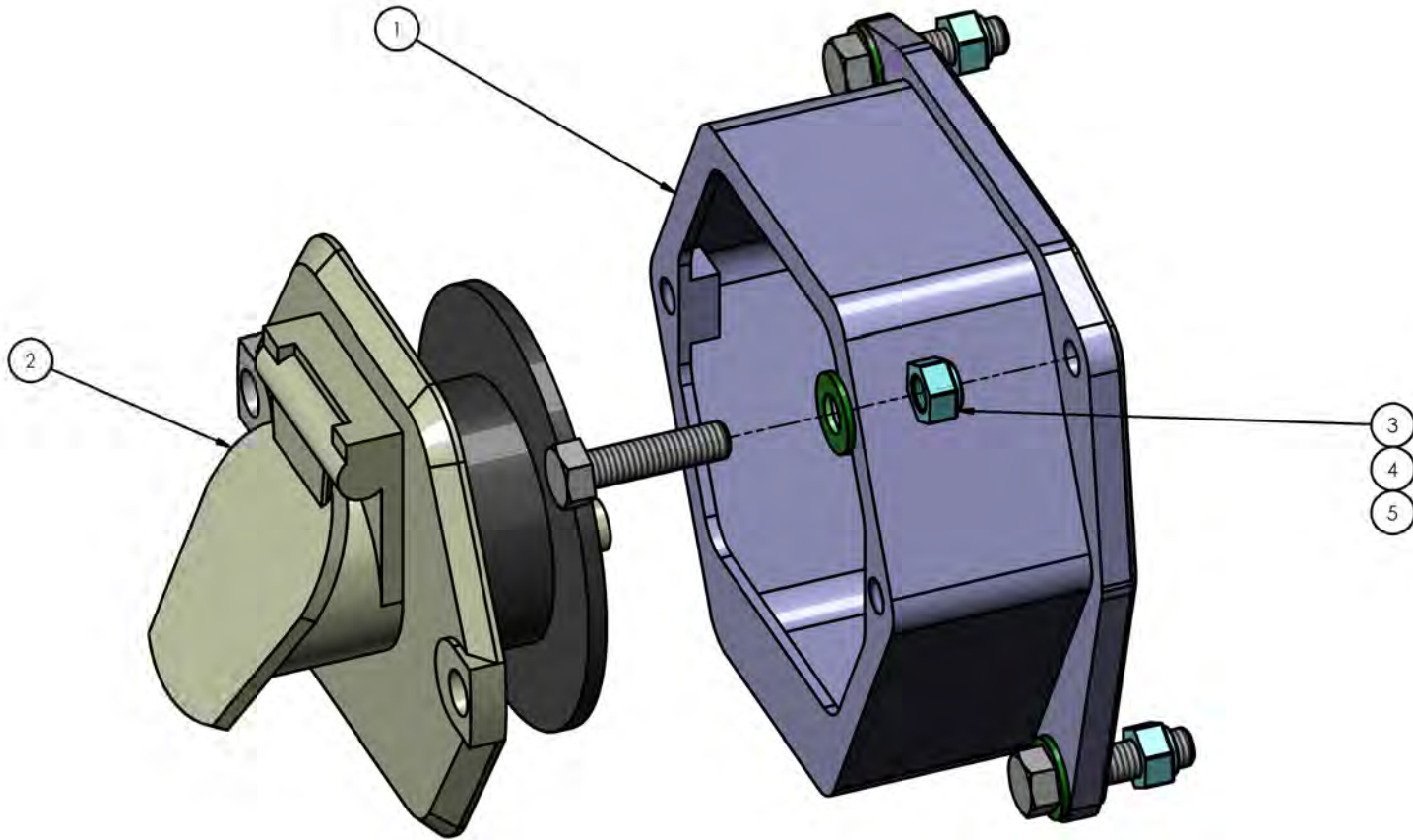
C

B

B

A

A



DIMENSIONS ARE IN INCHES
 TOLERANCES:
 DECIMAL:
 X.X ± 0.06
 X.XX ± 0.03
 X.XXX ± 0.005
 ANGULAR:
 ± 0.5°
 FRACTIONAL:
 ± 1/32"

INTERPRET GEOMETRIC TOLERANCING PER: ASME 14.5M-1994

MATERIAL

FINISH

THICKNESS

	NAME	DATE
DRAWN	MAL	3/8/2019
CHECKED		
APPROVED		

DO NOT SCALE DRAWING

THE SUBJECT MATTER SHOWN AND DESCRIBED IN THIS DRAWING AND ANY OTHER INFORMATION ADVANCED IN CONNECTION THEREWITH, IS PROPRIETARY PROPERTY AND IS TO BE HELD IN STRICT CONFIDENCE BY YOU. ALL RIGHTS TO ANY INVENTIONS, DESIGNS, TRADE MARKS, TRADE NAMES AND COPYRIGHTS DISCLOSED ARE RESERVED TO TICO TERMINAL SERVICES, INC.

TICO *TICO* TICO MANUFACTURING
 66 CYPRESS RIDGE DR.
 RIDGELAND, SC 29936
 (843) 717-2226

TITLE: TRAILER LIGHTS & COILED TRAILER CABLE

SIZE B	DWG. NO. 722082-A1	REV
------------------	-----------------------	-----

SCALE: 1:4 WEIGHT: SHEET 1 OF 1

8 7 6 5 4 3 2 1

