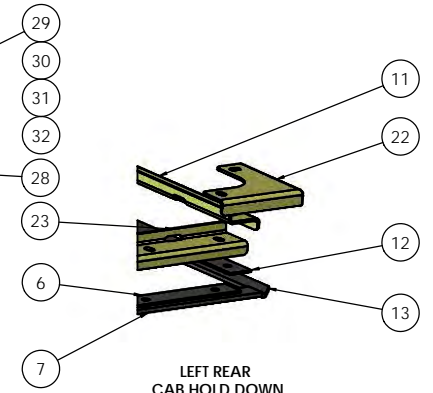
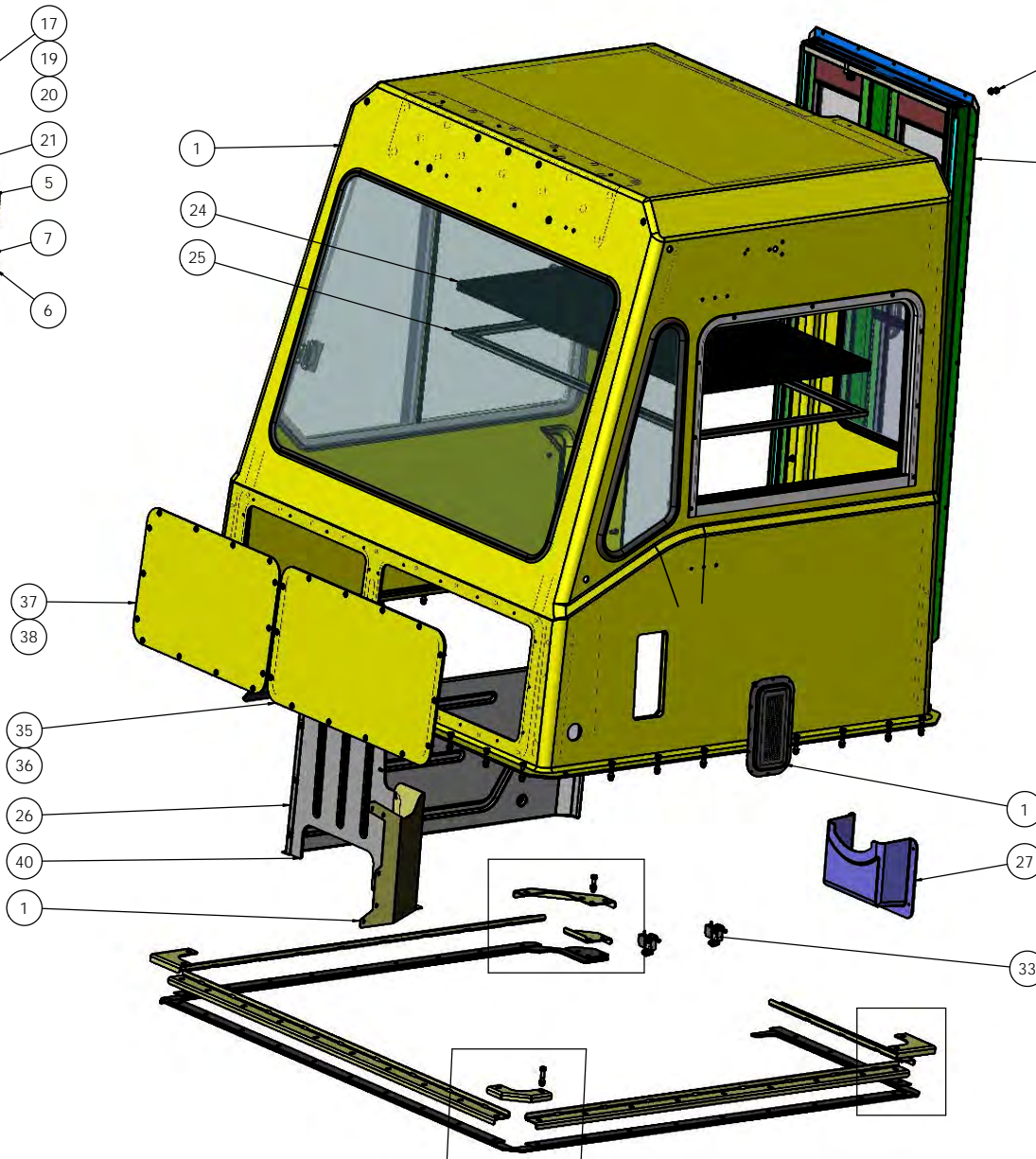
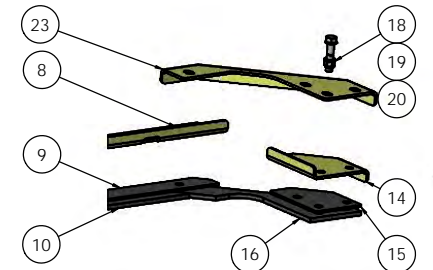


FRONT LEFT
CAB HOLD DOWN



LEFT REAR
CAB HOLD DOWN



RIGHT REAR
CAB HOLD DOWN

DIMENSIONS ARE IN INCHES		NAME	DATE	TICO MANUFACTURING 46 CYPRESS RIDGE DR. ROCKLAND, NC 29086 (843) 717-2226
DRAWN	MAL	3/2/2018		
CHECKED				TITLE: CAB ASSEMBLY, 2017-III
APPROVED				SIZE: DWG. NO. 722058-A1
THE SUBJECT MATTER SHOWN AND DESCRIBED IN THE DRAWING AND ANY OTHER INFORMATION CONTAINED HEREIN IS THE PROPERTY OF TICO MANUFACTURING. IT IS TO BE USED ONLY FOR THE PURPOSES SPECIFIED HEREIN. ALL RIGHTS TO ANY PATENT, TRADE SECRET, OR OTHER INTELLECTUAL PROPERTY ARE RESERVED TO TICO MANUFACTURING.				REV
SCALE: 1:24	WEIGHT: 607.87	SHEET 1 OF 1		

D 722058-A1

TICO PRO-SPOTTER				
CAB ASSEMBLY, 2017-III, 68", 102" MIRRORS, REAR WINDOW, OVERHEAD WIPERS				722058
ITEM	PART #	QTY/M	DESCRIPTION	
	722058-A1	REF	CAB ASSY, RAISED ROOF W/65" DOOR	
1	122835	1	CAB ASSEMBLY, 68" HEIGHT, 2017, TICO WHITE, NO MIRROR/MARKERLIGHT HOLES	
2	121955	1	CLAMP, FLOOR FRONT	
3	121407	1	CUSHION, FRONT FLOOR CLAMP	
4	121412	1	SEAL, FRONT FLOOR CLAMP	
5	121956	1	CLAMP, FLOOR LH	
6	121409	1	CUSHION, LH FLOOR CLAMP	
7	121414	1	SEAL, LH FLOOR CLAMP	
8	121957	1	CLAMP, FLOOR RH	
9	121408	1	CUSHION, RH FLOOR CLAMP	
10	121413	1	SEAL, RH FLOOR CLAMP	
11	121958	1	CLAMP, LH REAR FLOOR	
12	121411	1	CUSHION, LH REAR FLOOR CLAMP	
13	121416	1	SEAL, LH REAR FLOOR CLAMP	
14	121959	1	CLAMP, RH REAR FLOOR	
15	121410	1	CUSHION, RH REAR FLOOR CLAMP	
16	121415	1	SEAL, RH REAR FLOOR CLAMP	
17	82416	34	BOLT, 3/8-16 X 2" LG HEX GRD 8	
18	82405	1	BOLT, 3/8-16 X 1-3/4" LG HEX GRD 8	
19	85091	70	WASHER, 3/8" HRDN	
20	85025	35	NUT, 3/8-16 NYLOK	
21	121960	1	FLOOR CAP, FRONT LH	
22	122002	2	CAP, CAB HOLD DOWN SECONDARY (2017-II)	
23	122003	1	CAP, CAB HOLD DOWN RH REAR (2017-II)	
24	920265	1	FRAME WELDMENT, 2017 CAB HEADLINER	
25	920267	1	HEADLINER, 2017 CAB	
NOT SHOWN	80262	14	SCREW, WOOD 5-20 X 3/4" LG	
NOT SHOWN	122360	1	COVER- DASH FRONT	
NOT SHOWN	800462	5	SCREW-OVAL HD @10-32 X 3/4"LG SELF TAP	
REV	DATE	BY		SHEET
C	4/25/2018	MAL		1 OF 3

TICO PRO-SPOTTER				
CAB ASSEMBLY, 2017-III, 68", 102" MIRRORS, REAR WINDOW, OVERHEAD WIPERS				722058
ITEM	PART #	QTY/M	DESCRIPTION	
26	121381	1	PANEL ASSEMBLY, SIDE WALL	
NOT SHOWN	800441	3	SCREW, PHILLIPS TRUSS HD, #10-32 X 3/4 LG., SS, BLK	
NOT SHOWN	80232	3	WASHER, #10 SS	
NOT SHOWN	800440	4	SCREW, PHILLIPS OVAL HD #10 X 1/2" LG. FOR SHT. METAL, BLK	
27	90778	2	HOLDER, REMOVABLE DOCUMENT	
NOT SHOWN	80261	8	SCREW, WOOD 5-20 x 1/2" Lg	
NOT SHOWN	121314	1	COVER, 2017 CAB WIPER ASSEMBLY	
NOT SHOWN	121552	1	WIPER ENCLOSURE GASKET, 2017 CAB	
NOT SHOWN	80218	14	CAPSCREW, #10-32 X 3/4" SS	
NOT SHOWN	80232	14	WASHER, #10 SS	
NOT SHOWN	91903	14	NUT, "S" STYLE, 10-32, ZINC	
28	920263	1	DOOR ASSEMBLY, 2017 CAB 66" HEIGHT, BODE	
REF	91155	24 FT	SEAL-CLOSED CELL FOAM-DOOR	
REF	91155	2 FT	SEAL-CLOSED CELL FOAM-DOOR	
29	82382	14	BOLT-5/16-18 X 1 1/4 LG	
30	82371	4	BOLT-5/16-18 X 1 LG	
31	85090	14	WASHER, FLAT 5/16	
32	85035	14	NUT, HEX, 5/16-18	
33	42171	2	VALVE, SOLENOID, 3-WAY AIR	
NOT SHOWN	40857	6	FITTING, ELBOW, 90°, BRASS, 1/4 TUBE X 1/8 NPT	
NOT SHOWN	800443	4	SCREW, BUTTON HD, #6-32 X 1-1/2" Lg	
NOT SHOWN	80230	8	WASHER, #6, SS	
NOT SHOWN	800427	4	NUT, NYLOK, #6-32, SS	
NOT SHOWN	11003	4 FT	TUBING-NYLON AIR BRAKE 1/4 BK	
34	122805	1	HVAC COVER (2017-III) ABS	
NOT SHOWN	80218	11	BUTTON HD CAP SCR, #10-32 X 3/4" SS	
NOT SHOWN	80232	11	WASHER, #10 SS	
35	122837	1	OUTER PANEL, LH (2017-II)	
36	122026	1	GASKET, OUTER PANEL, LH (2017-II)	
NOT SHOWN	80219	14	SCREW, BUTTON HD SOC CAP 1/4-20 x 3/4, SS	
NOT SHOWN	80311	14	WASHER, FLAT 1/4 SS	
REV	DATE	BY		SHEET
C	2/2/2018	MAL		2 OF 3

TICO MANUFACTURING - RIDGELAND, SC 29936

