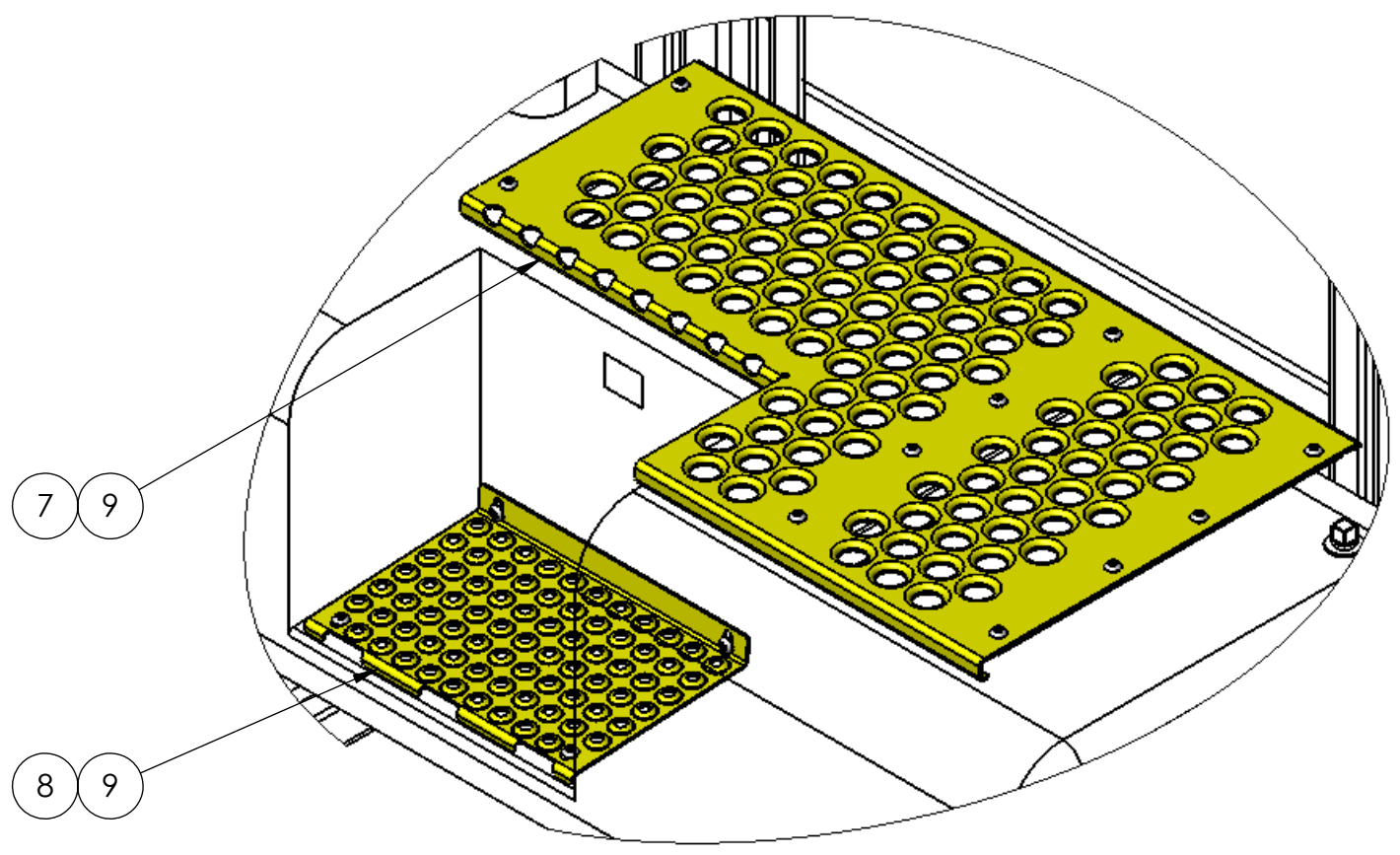
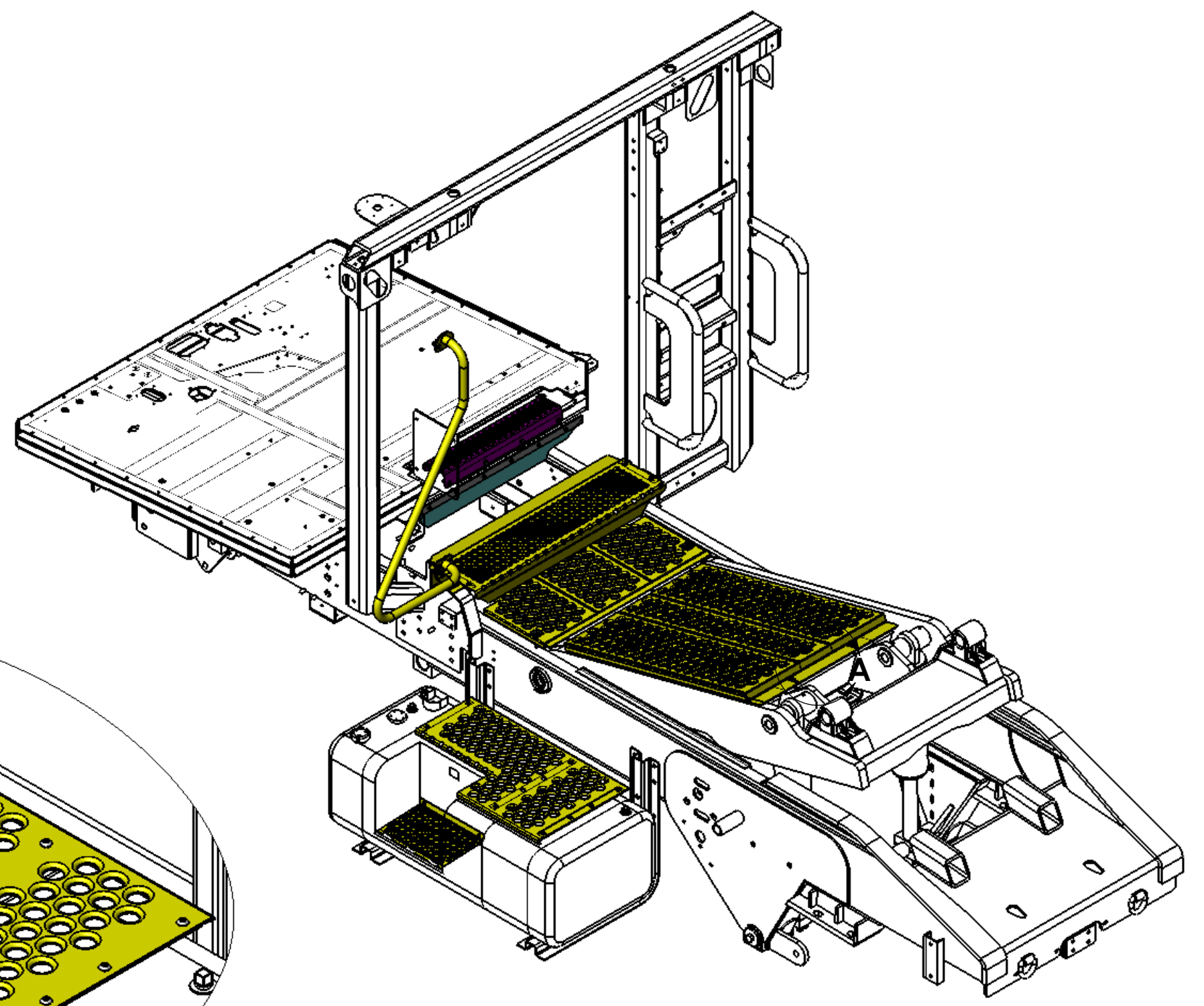
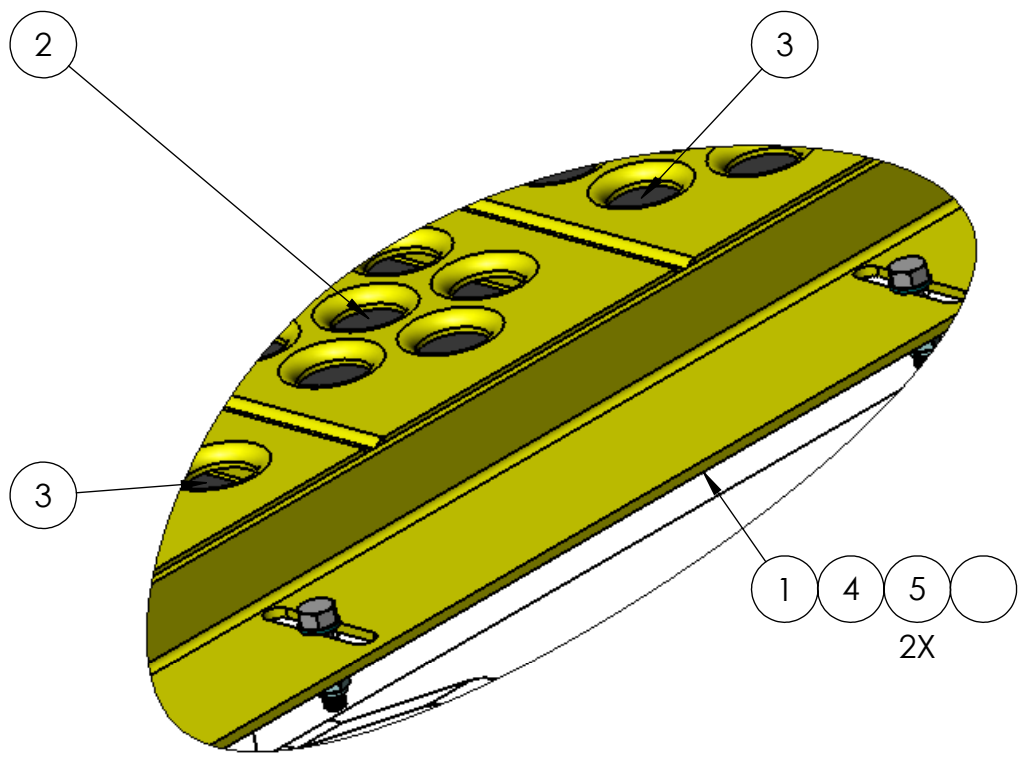



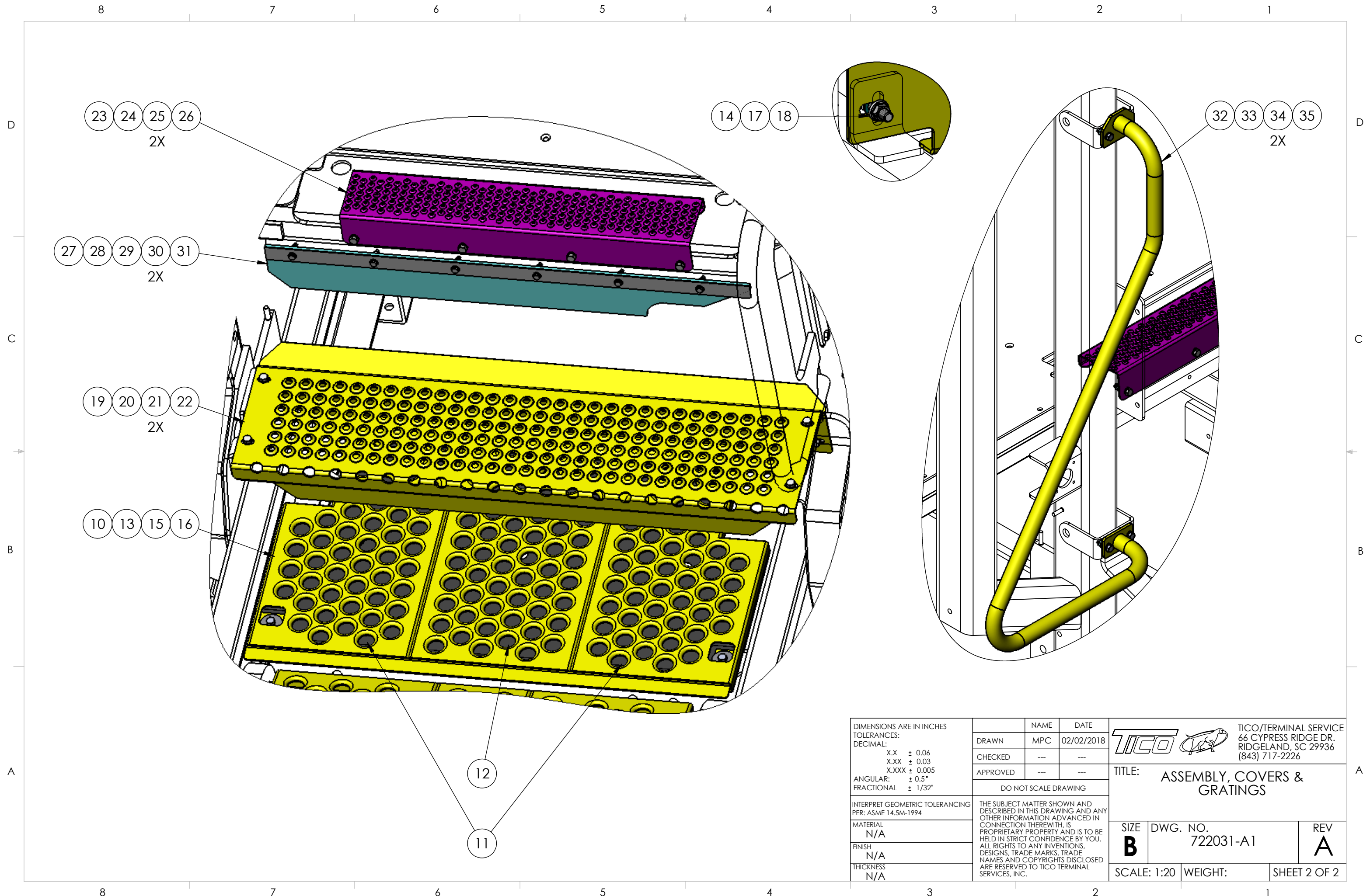
8 7 6 5 4 3 2 1

D
C
B
A



DIMENSIONS ARE IN INCHES TOLERANCES: DECIMAL: X.X ± 0.06 X.XX ± 0.03 X.XXX ± 0.005 ANGULAR: ± 0.5° FRACTIONAL ± 1/32"	DRAWN	NAME	DATE	 TICO MANUFACTURING 66 CYPRESS RIDGE DR. RIDGELAND, SC 29936 (843) 717-2226
	CHECKED	---	---	
	APPROVED	---	---	
	DO NOT SCALE DRAWING			
MATERIAL	THE SUBJECT MATTER SHOWN AND DESCRIBED IN THIS DRAWING AND ANY OTHER INFORMATION ADVANCED IN CONNECTION THEREWITH, IS PROPRIETARY PROPERTY AND IS TO BE HELD IN STRICT CONFIDENCE BY YOU. ALL RIGHTS TO ANY INVENTIONS, DESIGNS, TRADE MARKS, TRADE NAMES AND COPYRIGHTS DISCLOSED ARE RESERVED TO TICO TERMINAL SERVICES, INC.			TITLE: ASSEMBLY, COVERS & GRATINGS
FINISH	SIZE	DWG. NO.	REV	
THICKNESS	B	722031-A1	A	
	SCALE: 1:20	WEIGHT:	SHEET 1 OF 2	

8 7 6 5 4 3 2 1



DIMENSIONS ARE IN INCHES TOLERANCES: DECIMAL: X.X ± 0.06 X.XX ± 0.03 X.XXX ± 0.005 ANGULAR: ± 0.5° FRACTIONAL ± 1/32"	DRAWN MPC	NAME MPC	DATE 02/02/2018
	CHECKED ---	---	---
	APPROVED ---	---	---
	DO NOT SCALE DRAWING		
INTERPRET GEOMETRIC TOLERANCING PER: ASME 14.5M-1994	THE SUBJECT MATTER SHOWN AND DESCRIBED IN THIS DRAWING AND ANY OTHER INFORMATION ADVANCED IN CONNECTION THEREWITH, IS PROPRIETARY PROPERTY AND IS TO BE HELD IN STRICT CONFIDENCE BY YOU. ALL RIGHTS TO ANY INVENTIONS, DESIGNS, TRADE MARKS, TRADE NAMES AND COPYRIGHTS DISCLOSED ARE RESERVED TO TICO TERMINAL SERVICES, INC.		
MATERIAL N/A	TITLE: ASSEMBLY, COVERS & GRATINGS		TICO/TERMINAL SERVICE 66 CYPRESS RIDGE DR. RIDGELAND, SC 29936 (843) 717-2226
FINISH N/A	SIZE B	DWG. NO. 722031-A1	REV A
THICKNESS N/A	SCALE: 1:20	WEIGHT:	SHEET 2 OF 2

TICO PRO-SPOTTER				
COVERS & GRATINGS, 2017-III CAB , QSB-IV & QSB-III, 116" WB, TICO ORANGE				722031
ITEM	PART #	QTY/M	DESCRIPTION	
	722031-A1	REF	COVERS & GRATINGS, 2017-III CAB , QSB-IV & QSB-III, 116" WB, TICO ORANGE	
1	30293	1	BOOM COVER GRATING - CIRCLE PATTERN	
2	30249	1	HEAT SHIELD, 7"	
3	30250	2	HEAT SHIELD, 12"	
4	82383	2	BOLT, HEX 3/8"-16 x 1-1/2" Lg	
5	85091	2	WASHER, FLAT 3/8"	
7	300443	1	GRATING, STEP FORWARD FUEL TANK STEP CIRCLE PATTERN	
8	30299	1	GRATING, FUEL TANK STEP CIRCLE PATTERN	
9	80378	10	CAPSCREW, 3/8-16 UNC X 1/2 LG BUTTONHEAD, SS	
10	300462	1	GRATING, TRANS COVER ASS'Y, OPEN GRIP, 116" WB, 2017 CAB, B6.7, TICO ORANGE	
11	300466	2	HEAT SHIELD, OUTER, 2017 TRANSMISSION COVER, 116" WB	
12	300453	1	HEAT SHIELD, MIDDLE, 2017 TRANSMISSION COVER, 116" WB	
13	82416	4	BOLT, HEX 3/8"-16 X 2" LG	
14	82405	4	BOLT, HEX, 3/8-16 X 1-3/4" LG	
15	85135	4	LOCKWASHER, HELICAL, 3/8	
16	50162-9	4	WASHER, FLAT, 1-5/8" OD x 13/32" ID x 1/8" THICK	
17	85091	12	WASHER, FLAT, 3/8	
18	85025	4	LOCKNUT, NYLOCK, 3/8-16	
NOT SHOWN	122473	1	BRACKET, TRANS COVER, 2017 CHASSIS PDC, LHS	
NOT SHOWN	122476	1	BRACKET, TRANS COVER, 2017 CHASSIS PDC, RHS	
19	121563	1	ASSEMBLY, CAB STEP, 2017 CAB, TICO ORANGE	
20	80317	4	BOLT, HEX 3/8"-16 x 1-1/2" Lg SS	
21	85091	4	WASHER, FLAT, 3/8"	
22	85025	4	LOCKNUT, NYLOCK 3/8"-16	
23	121356	1	TREAD PLATE, 2017-III CAB, ENTRY, GALV	
24	82394	4	BOLT, 3/8"-16 x 1-1/2" LG	
25	85091	8	WASHER, 3/8" HRDN	
26	85025	4	NUT, 3/8"-16 NYLOK	
27	910534	1	BAFFLE, REAR SOUND DAMPNER, 2017 FLOOR	
28	122550	1	CLAMP PLATE, BAFFLE, 2017 FLOOR	
29	82403	6	BOLT, HEX 1/4"-20 x 1 3/4" Lg RUBBER to FLOOR	
30	85089	12	WASHER, FLAT 1/4"	
31	85023	6	LOCKNUT, NYLOCK, 1/4"-20	
32	12550	1	HANDRAIL - SLOPED - LH WELDMENT, RAL #2010	
33	82383	4	BOLT, 3/8"-16 x 1-1/4" LG	
34	85091	8	WASHER, 3/8" HRDN	
35	85025	4	NUT, 3/8"-16 NYLOK	
REV	DATE	BY		SHEET
A	10/18/2018	MAL		1 OF 1
TICO MANUFACTURING - RIDGELAND, SC 29936				